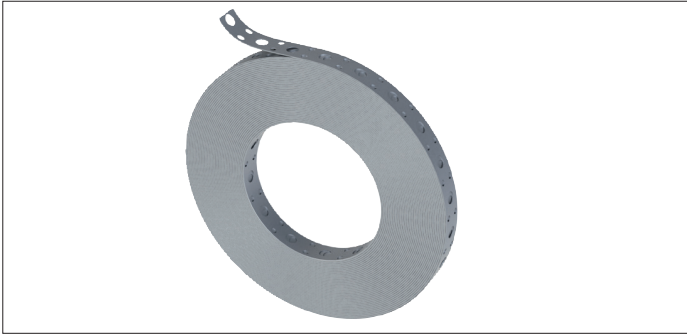


Mounting accessories



Suspension strips GAZA

Suspension elements to be used for light loads. It can be directly affixed to the ceiling or structure. Made in galvanized steel.

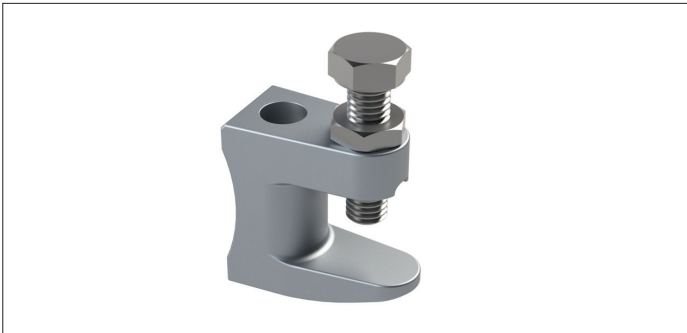
Width mm	Code	Length m
17	GAZA000001	30
25	GAZA000002	30



Support legs GZCZ

For the mounting of the GACA pipe connectors in the high vacuum section, made in galvanized steel.

Code	Weight
GZCZ900003	0.50



Suspension clamps GAZB

Suspension elements, available in M8 or M10, made of galvanized steel.

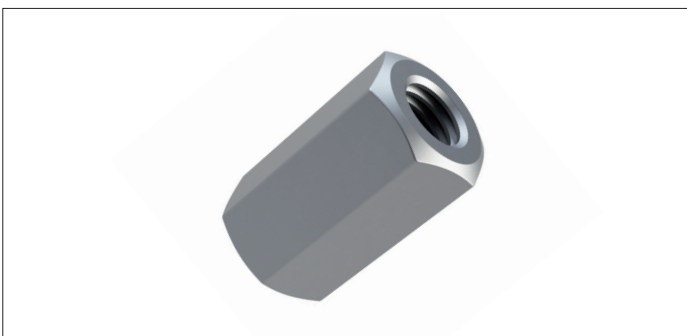
Code	Size	Weight
GAZB000001	M8	0.10
GAZB000002	M10	0.12



Flat screws GAZE

Suspension elements, available in M8 or M10, made of galvanized steel.

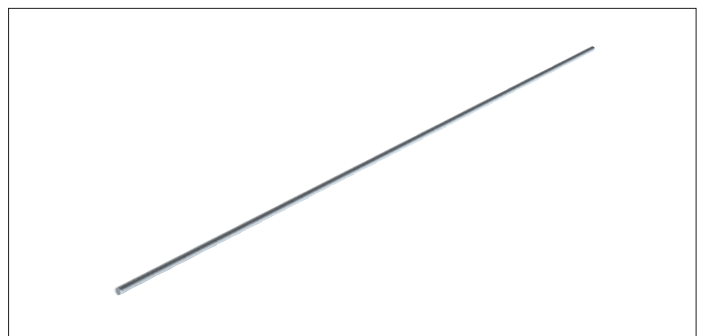
Code	Size	Weight
GAZE000001	M8	0.01
GAZE000002	M10	0.02



Connection muff GAZD

Suspension elements, available in M8 or M10, made of galvanized steel.

Code	Size	Weight
GAZD000001	M8	0.02
GAZD000002	M10	0.02



Threaded rods GAZF

Suspension elements, available in M8 or M10, made of galvanized steel.

Standard length : 1000 mm

Code	Size	Weight
GAZF000001	M8	0.30
GAZF000002	M10	0.40