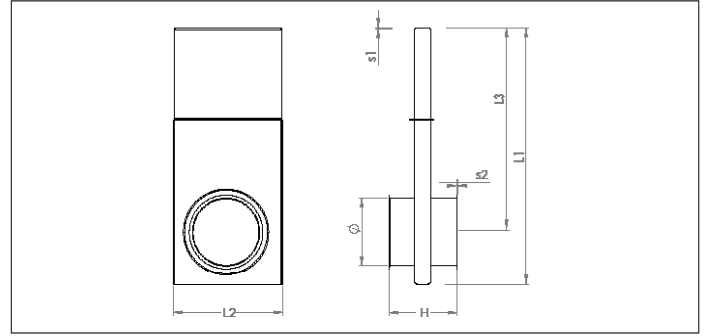


**AADM Fire dampers - ATEX**



**AADM Fire dampers - ATEX**

Fire dampers designed to shut off part of an installation if a fire occurs. The integrated fuse melts at 72°C which draws the damper blade down. The closing time is 100 ms after fuse rupture.

The underside of the damper as a lid mounted on spring return to allow the evacuation of probable material deposits occurring during normal installation functioning.

Fire resistant REI 120 according to EN1366-2 / EN13501-3 (with certificate).

- ! Attention : For mounting in horizontal under-pressure ducting installations.**
- ! Attention : installation direction according to arrow on the body (fire propagation direction)**
- ! II 2 GD T6/T85°C X**  
Compliant and produced according to ATEX Directive 2014/34/EU and harmonized standard EN1127-1:2011.

**Material**

Senzimir galvanized DX51 DZ 275 MAC.

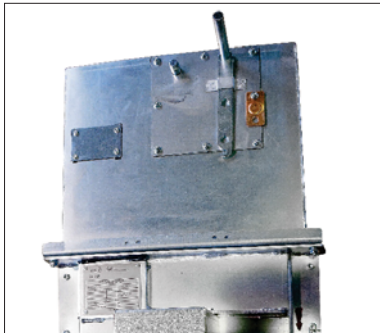
**Type**

Rolled and cut sheets, with 6 mm edges for lock rings. With melting fuse (72°C) and rearmement handle.

Compliant and produced according to ATEX Directive 2014/34/EU and harmonized standard EN1127-1:2011.

**Options**

- manual rearmement, closing by gravity with pneumatic activation, spark detection system required (STFRPTM)
- pneumatic rearmement, closing by gravity with pneumatic activation, spark detection system required (STFRPTMA)
- pneumatic closing and rearmement, spark detection system required (STFRPCMT)
- microswitch standard, ATEX zone 21 or zone 22
- solenoid valve standard, ATEX zone 21 or zone 22
- powder coated execution (RAL 3020)
- copper compressed air hoses (on STFRPTMA)
- other types of edges or connections



Spare fuse and rearming handle



Discharge lid on the underside of the damper



Pneumatic version (STFRPTMA)

Ø	Code	L1	L2	L3	H	s1	s2	Weight
	Manual version	mm	mm	mm	mm	mm	mm	kg
200	AADM000001	765	350	540	465	3.00	2.00	24.00
250	AADM000002	865	400	615	465	3.00	2.00	30.00
300	AADM000003	965	450	690	465	3.00	2.00	38.00
350	AADM000004	1065	500	765	465	3.00	2.00	44.00
400	AADM000005	1165	550	840	465	3.00	2.00	50.00
450	AADM000006	1265	600	915	465	3.00	2.00	60.00
500	AADM000007	1365	650	990	465	3.00	2.00	68.00
550	AADM000008	1465	700	1065	465	3.00	2.00	80.00
600	AADM000009	1565	750	1140	465	3.00	2.00	90.00
650	AADM000010	1665	800	1215	465	3.00	2.00	102.00
700	AADM000011	1765	850	1290	465	3.00	2.00	112.00
750	AADM000012	1865	900	1365	465	3.00	2.00	140.00