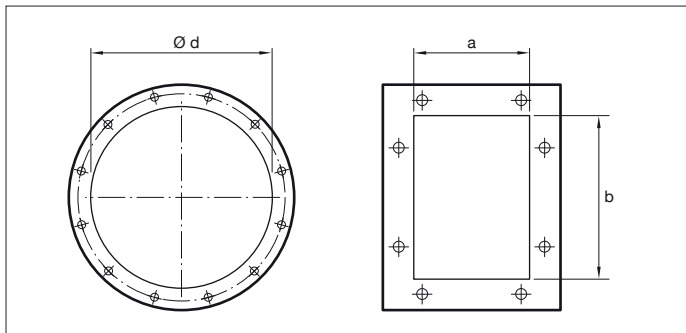
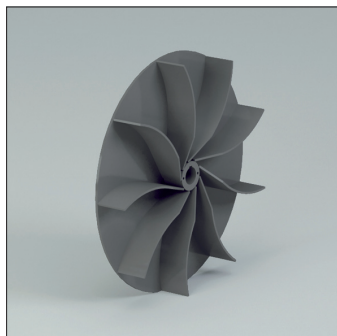
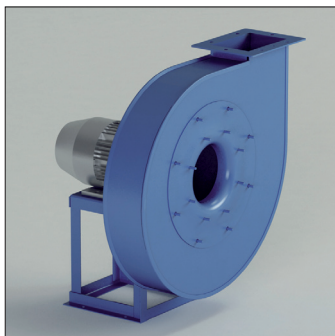


Centrifugaal ventilator ZB - ZB/T



ZB - ZB/T

Centrifugaal ventilator, beschikbaar in direct of indirect aangedreven uitvoering. Waaier met gebogen open radiale schoepen.

Toepassing

Voor het transport van vaste stoffen gemengd met lucht, zaagsel en verschillende chips, ook geschikt voor vezels.

Werkingsgebied

Laag - middel lucht volumes, middel - hoge druk.

Technische specificaties:

Luchtdebiet: 450 tot 15.000 m³/h
Totale drukte: 200 tot 1.000 daPa.

| Model | Vermogen (kW) | Ashoogte mm | Aantal polen | Inlaat ø mm | Afmetingen uitlaat a x b mm | Inspectie deur | Gelast huis |
|------------|---------------|-------------|--------------|-------------|-----------------------------|----------------|-------------|
| ZB400/P2 | 2.2 | 90 | 2 | 180 | 177 x 166 | Optioneel | Optioneel |
| ZB450/P2 | 3 | 100 | 2 | 200 | 131 x 185 | Optioneel | Optioneel |
| ZB450/P2 | 4 | 112 | 2 | 200 | 131 x 185 | Optioneel | Optioneel |
| ZB500/P2 | 5.5 | 132 | 2 | 225 | 148 x 207 | Optioneel | Optioneel |
| ZB500/P2 | 7.5 | 132 | 2 | 225 | 148 x 207 | Optioneel | Optioneel |
| ZB560/P2 | 7.5 | 132 | 2 | 250 | 166 x 231 | Optioneel | Optioneel |
| ZB560/P2 | 11 | 160 | 2 | 250 | 166 x 231 | Optioneel | Optioneel |
| ZB630/P2 | 15 | 160 | 2 | 275 | 185 x 258 | Optioneel | Optioneel |
| ZB630/P2 | 18.5 | 160 | 2 | 275 | 185 x 258 | Optioneel | Optioneel |
| ZB710/P2R | 22 | 180 | 2 | 325 | 205 x 288 | Optioneel | Inbegrepen |
| ZB710/P2 | 30 | 200 | 2 | 325 | 205 x 288 | Optioneel | Inbegrepen |
| ZB710/P2 | 37 | 200 | 2 | 325 | 205 x 288 | Optioneel | Inbegrepen |
| ZB800/P2R | 37 | 200 | 2 | 350 | 229 x 322 | Optioneel | Inbegrepen |
| ZB800/P2 | 45 | 225 | 2 | 350 | 229 x 322 | Optioneel | Inbegrepen |
| ZB800/P2 | 55 | 250 | 2 | 350 | 229 x 322 | Optioneel | Inbegrepen |
| ZB800/P4R | 7.5 | 132 | 4 | 350 | 229 x 322 | Optioneel | Inbegrepen |
| ZB800/P4 | 11 | 160 | 4 | 350 | 229 x 322 | Optioneel | Inbegrepen |
| ZB900/P4R | 11 | 160 | 4 | 400 | 256 x 361 | Optioneel | Inbegrepen |
| ZB900/P4 | 15 | 160 | 4 | 400 | 256 x 361 | Optioneel | Inbegrepen |
| ZB1000/P4R | 18.5 | 180 | 4 | 450 | 288 x 404 | Optioneel | Inbegrepen |
| ZB1000/P4 | 22 | 180 | 4 | 450 | 288 x 404 | Optioneel | Inbegrepen |

FA.107.FM.2014.V2.0.NL

Centrifugaal ventilator ZB - ZB/T

KARAKTERISTIEKEN IN PERSTOESTAND

•Tolerantie ±5%

| • Model | • Motor | Verm. [kW] | tpm | LpA [dB(A)] | Q [m³/h] | | | | | | | | | |
|------------|---------|------------|------|-------------|------------------------|-----|-----|-----|-----|-----|-----|-----|------|------|
| | | | | | 430 | 470 | 540 | 650 | 720 | 790 | 865 | 935 | 1080 | 1225 |
| | | | | | pt[mmH ₂ O] | | | | | | | | | |
| ZB400/P2 | 90 | 2,2 | 2900 | 70 | 290 | 290 | 290 | 285 | 285 | 285 | 285 | 285 | 284 | 280 |
| ZB450/P2 | 100 | 3 | 2920 | 72 | | | | 372 | 372 | 370 | 370 | 368 | 368 | 367 |
| ZB450/P2 | 112 | 4 | 2920 | 74 | | | | 372 | 372 | 370 | 370 | 368 | 368 | 367 |
| ZB500/P2 | 132 | 5,5 | 2920 | 76 | | | | | | | | 460 | 459 | 458 |
| ZB500/P2 | 132 | 7,5 | 2960 | 78 | | | | | | | | 470 | 469 | 468 |
| ZB560/P2 | 132 | 7,5 | 2960 | 78 | | | | | | | | | | |
| ZB560/P2 | 160 | 11 | 2960 | 80 | | | | | | | | | | |
| ZB630/P2 | 160 | 15 | 2960 | 80 | | | | | | | | | | |
| ZB630/P2 | 160 | 18,5 | 2960 | 82 | | | | | | | | | | |
| ZB710/P2R | 180 | 22 | 2960 | 82 | | | | | | | | | | |
| ZB710/P2 | 200 | 30 | 2960 | 83 | | | | | | | | | | |
| ZB710/P2 | 200 | 37 | 2960 | 85 | | | | | | | | | | |
| ZB800/P2R | 200 | 37 | 2960 | 86 | | | | | | | | | | |
| ZB800/P2 | 225 | 45 | 2960 | 87 | | | | | | | | | | |
| ZB800/P2 | 250 | 55 | 2970 | 88 | | | | | | | | | | |
| ZB800/P4R | 132 | 7,5 | 1470 | 74 | | | | | | | | | | |
| ZB800/P4 | 160 | 11 | 1480 | 75 | | | | | | | | | | |
| ZB900/P4R | 160 | 11 | 1480 | 75 | | | | | | | | | | |
| ZB900/P4 | 160 | 15 | 1480 | 77 | | | | | | | | | | |
| ZB1000/P4R | 180 | 18,5 | 1480 | 78 | | | | | | | | | | |
| ZB1000/P4 | 180 | 22 | 1480 | 79 | | | | | | | | | | |

KARAKTERISTIEKEN IN ZUIGTOESTAND

•Tolerantie ±5%

| • Model | • Motor | Verm. [kW] | tpm | LpA [dB(A)] | Q [m³/h] | | | | | | | | | |
|------------|---------|------------|------|-------------|------------------------|-----|-----|-----|-----|-----|-----|-----|------|------|
| | | | | | 430 | 470 | 540 | 650 | 720 | 790 | 865 | 935 | 1080 | 1225 |
| | | | | | pt[mmH ₂ O] | | | | | | | | | |
| ZB400/P2 | 90 | 2,2 | 2900 | 70 | 281 | 281 | 281 | 275 | 275 | 274 | 273 | 273 | 270 | 264 |
| ZB450/P2 | 100 | 3 | 2920 | 72 | | | | 358 | 357 | 355 | 355 | 353 | 352 | 350 |
| ZB450/P2 | 112 | 4 | 2920 | 74 | | | | 358 | 357 | 355 | 355 | 353 | 352 | 350 |
| ZB500/P2 | 132 | 5,5 | 2920 | 76 | | | | | | | | 439 | 437 | 436 |
| ZB500/P2 | 132 | 7,5 | 2960 | 78 | | | | | | | | 448 | 447 | 445 |
| ZB560/P2 | 132 | 7,5 | 2960 | 78 | | | | | | | | | | |
| ZB560/P2 | 160 | 11 | 2960 | 80 | | | | | | | | | | |
| ZB630/P2 | 160 | 15 | 2960 | 80 | | | | | | | | | | |
| ZB630/P2 | 160 | 18,5 | 2960 | 82 | | | | | | | | | | |
| ZB710/P2R | 180 | 22 | 2960 | 82 | | | | | | | | | | |
| ZB710/P2 | 200 | 30 | 2960 | 83 | | | | | | | | | | |
| ZB710/P2 | 200 | 37 | 2960 | 85 | | | | | | | | | | |
| ZB800/P2R | 200 | 37 | 2960 | 86 | | | | | | | | | | |
| ZB800/P2 | 225 | 45 | 2960 | 87 | | | | | | | | | | |
| ZB800/P2 | 250 | 55 | 2970 | 88 | | | | | | | | | | |
| ZB800/P4R | 132 | 7,5 | 1470 | 74 | | | | | | | | | | |
| ZB800/P4 | 160 | 11 | 1480 | 75 | | | | | | | | | | |
| ZB900/P4R | 160 | 11 | 1480 | 75 | | | | | | | | | | |
| ZB900/P4 | 160 | 15 | 1480 | 77 | | | | | | | | | | |
| ZB1000/P4R | 180 | 18,5 | 1480 | 78 | | | | | | | | | | |
| ZB1000/P4 | 180 | 22 | 1480 | 79 | | | | | | | | | | |

Centrifugaal ventilator ZB - ZB/T

 • Geluid tolerantie $\pm 4dB(A)$

| Q [m ³ /h] | | | | | | | | | | | | | | | | | |
|------------------------|------|------|------|------|------|------|------|------|------|------|------|------|------|------|------|------|-------|
| 1370 | 1440 | 1620 | 1800 | 2160 | 2520 | 2880 | 3240 | 3600 | 3960 | 4320 | 4680 | 5400 | 6120 | 7200 | 7920 | 9000 | 10600 |
| pt[mmH ₂ O] | | | | | | | | | | | | | | | | | |
| 276 | | | | | | | | | | | | | | | | | |
| 367 | 367 | 362 | | | | | | | | | | | | | | | |
| 367 | 367 | 362 | 357 | 352 | | | | | | | | | | | | | |
| 457 | 455 | 453 | 451 | 448 | 442 | | | | | | | | | | | | |
| 467 | 465 | 463 | 461 | 458 | 452 | 438 | 407 | | | | | | | | | | |
| 594 | 593 | 592 | 590 | 588 | 585 | 581 | | | | | | | | | | | |
| 594 | 593 | 592 | 590 | 588 | 585 | 581 | 577 | 568 | 561 | | | | | | | | |
| | 765 | 767 | 768 | 769 | 772 | 774 | 775 | 775 | 773 | 766 | | | | | | | |
| | 765 | 767 | 768 | 769 | 772 | 774 | 775 | 775 | 773 | 766 | 757 | 752 | | | | | |
| | | | | | 870 | 869 | 868 | 868 | 868 | 867 | 866 | 865 | 852 | | | | |
| | | | | | 980 | 984 | 986 | 988 | 989 | 989 | 988 | 987 | 986 | 970 | | | |
| | | | | | 980 | 984 | 986 | 988 | 989 | 989 | 988 | 987 | 986 | 970 | 940 | | |
| | | | | | | | | 1143 | 1144 | 1145 | 1146 | 1147 | 1148 | 1147 | | | |
| | | | | | | | | 1233 | 1233 | 1233 | 1236 | 1238 | 1239 | 1239 | | | |
| | | | | | | | | 1241 | 1241 | 1241 | 1244 | 1246 | 1247 | 1247 | 1233 | 1213 | |
| | | | 283 | 283 | 283 | 282 | 282 | 282 | 281 | 279 | 276 | 270 | 258 | | | | |
| | | | 305 | 305 | 305 | 305 | 304 | 304 | 304 | 304 | 304 | 298 | 290 | | | | |
| | | | | | 369 | 369 | 369 | 368 | 368 | 368 | 367 | 365 | 362 | 355 | | | |
| | | | | | | 395 | 395 | 395 | 395 | 394 | 394 | 392 | 390 | 385 | 380 | | |
| | | | | | | | | 449 | 449 | 449 | 448 | 448 | 448 | 445 | 443 | 436 | |
| | | | | | | | | 486 | 486 | 486 | 486 | 486 | 486 | 484 | 482 | 481 | 470 |

 • Geluid tolerantie $\pm 4dB(A)$

| Q [m ³ /h] | | | | | | | | | | | | | | | | | |
|------------------------|------|------|------|------|------|------|------|------|------|------|------|------|------|------|------|------|-------|
| 1370 | 1440 | 1620 | 1800 | 2160 | 2520 | 2880 | 3240 | 3600 | 3960 | 4320 | 4680 | 5400 | 6120 | 7200 | 7920 | 9000 | 10600 |
| pt[mmH ₂ O] | | | | | | | | | | | | | | | | | |
| 259 | | | | | | | | | | | | | | | | | |
| 348 | 348 | 341 | | | | | | | | | | | | | | | |
| 348 | 348 | 341 | 335 | 325 | | | | | | | | | | | | | |
| 434 | 432 | 429 | 426 | 421 | 412 | | | | | | | | | | | | |
| 443 | 441 | 438 | 435 | 430 | 421 | 405 | 372 | | | | | | | | | | |
| 560 | 559 | 557 | 555 | 551 | 547 | 541 | | | | | | | | | | | |
| 560 | 559 | 557 | 555 | 551 | 547 | 541 | 535 | 524 | 515 | | | | | | | | |
| | | 712 | 713 | 713 | 714 | 715 | 714 | 713 | 709 | 701 | | | | | | | |
| | | 712 | 713 | 713 | 714 | 715 | 714 | 713 | 709 | 701 | 691 | 682 | | | | | |
| | | | | | 800 | 798 | 796 | 795 | 794 | 792 | 790 | 785 | 771 | | | | |
| | | | | | 893 | 895 | 896 | 896 | 896 | 895 | 893 | 889 | 885 | 865 | | | |
| | | | | | 893 | 895 | 896 | 896 | 896 | 895 | 893 | 889 | 885 | 865 | 835 | | |
| | | | | | | | | 1026 | 1026 | 1026 | 1026 | 1025 | 1024 | 1019 | | | |
| | | | | | | | | 1098 | 1097 | 1096 | 1097 | 1096 | 1094 | 1091 | | | |
| | | | | | | | | 1104 | 1103 | 1103 | 1103 | 1103 | 1100 | 1097 | 1082 | 1057 | |
| | | | 274 | 274 | 273 | 271 | 271 | 270 | 268 | 265 | 261 | 252 | 237 | | | | |
| | | | 295 | 295 | 294 | 293 | 291 | 290 | 289 | 288 | 287 | 279 | 268 | | | | |
| | | | | | | 354 | 354 | 352 | 352 | 351 | 349 | 346 | 341 | 331 | | | |
| | | | | | | 379 | 378 | 377 | 377 | 375 | 374 | 371 | 367 | 359 | 352 | | |
| | | | | | | | | 428 | 428 | 428 | 426 | 425 | 424 | 419 | 416 | 407 | |
| | | | | | | | | 462 | 462 | 462 | 461 | 460 | 459 | 455 | 452 | 448 | 433 |

LpA = het geluidsniveau in dB(A), gemeten bij zijn maximum waarde.

Centrifugaal ventilator ZB - ZB/T

| • Model | • Max tpm |
|-----------------|-----------|
| KLASSE I | |
| ZB400 | 5300 |
| ZB450 | 4750 |
| ZB500 | 4250 |
| ZB560 | 3750 |
| ZB630 | 3350 |
| ZB710 | 3000 |
| ZB800 | 2950 |
| ZB900 | 2350 |
| ZB1000 | 2100 |

| | | | | | |
|----------|-------|------|-------|---------------------|-----|
| • tussen | 60°C | • en | 100°C | • snelheid verlagig | 4% |
| | 100°C | | 150°C | | 10% |
| | 150°C | | 200°C | | 16% |
| | 200°C | | 250°C | | 23% |
| | 250°C | | 300°C | | 30% |
| | 300°C | | 350°C | | 37% |
| | 350°C | | 400°C | | 45% |
| | 400°C | | 450°C | | 54% |
| | 450°C | | 500°C | | 64% |

• Gegevens geldig tot 60°C

