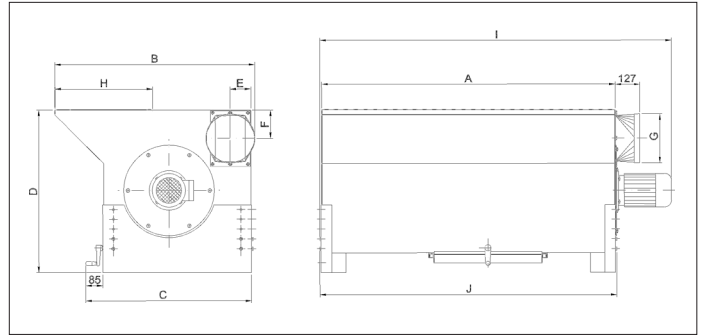
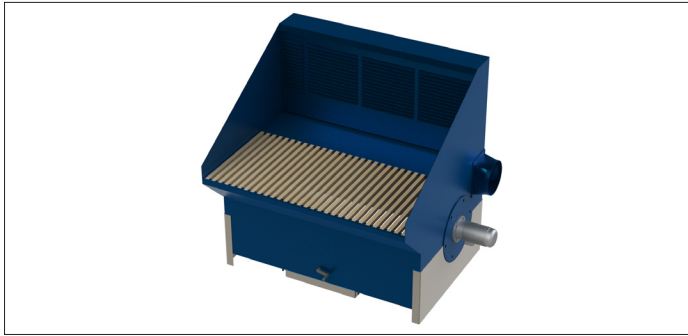


YOTAPR - Suction tables



YOTAPR - Suction tables

Universal extraction table with built-in fan. Can be used as glueing, grinding, polishing, welding or as manual cutting table. Supports up to 150 kg/m<sup>2</sup> but a reinforced version that supports up to 300 kg/m<sup>2</sup> is available as an option.

Standard filter cartridge type G113 is adapted for dust and smoke separation. Meets the class M filter norm according to EN 60335-2-69 appendix AA with a >99,9% efficiency level.

The cleaning is ensured manually by roto-cleaning.

The table is delivered completely assembled. Outlet can be fitted with silencer.

Multiple versions are available :

YOTAPR - Standard execution.

YOTAPR-B - Backwall with extraction (pictured).

YOTAPR-BS - Backwall with extraction as well as top and sides without noise damping.

YOTAPR-BS-ISO - Backwall with extraction as well as top and sides with noise damping.

Material

St 37.2 black steel powder coated RAL 5007 / 7011

Construction

- Available in two depths: 1000 or 1250 mm
- Table top standard delivered with wooden slats
- Also available with steel ribs, stainless steel ribs or plastic ribs (POM)
- Built-in air distribution chamber
- Dust container(s) for coarse pre-separated dust
- Adjustable in height from 830 to 980 mm

Construction :

Suction table type YOTAPR is constructed according to :

- 2006/42/EU : Machine Directive
- 2014/30/EU : EMC Directive
- 2014/35/EU : Low Voltage Directive
- Harmonized standards :  
EN 13854, EN 4414, EN 12100, EN 60204-1, EN ISO 13857
- Further standards: ISO 3746

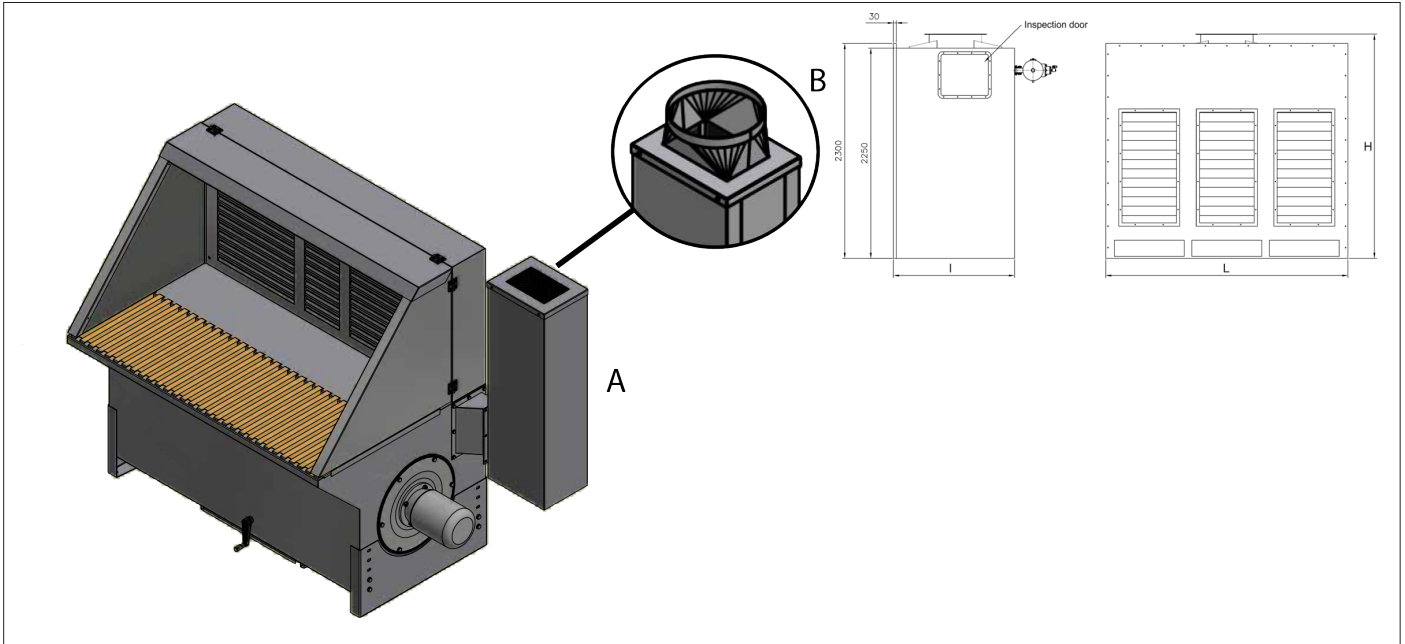
YOTAPR

| Model         | Fan model   | Inst. power (kW) | Air volume (m <sup>3</sup> /h) | Delta P (Pa) | extr. surf. (mm) | Weight (kg) |
|---------------|-------------|------------------|--------------------------------|--------------|------------------|-------------|
| YOTAPR1000/10 | VF 1175     | 1.5              | 650 <sup>1)</sup>              | 650 - 1600   | 450 x 1000       | 165.0       |
| YOTAPR1500/10 | VF 1175     | 1.5              | 950 <sup>1)</sup>              | 650 - 1600   | 450 x 1500       | 195.0       |
| YOTAPR2000/10 | VF 1175     | 1.5              | 1300 <sup>2)</sup>             | 650 - 1700   | 450 x 2000       | 220.0       |
| YOTAPR2500/10 | 2 x VF 1175 | 2 x 1.5          | 1600 <sup>2)</sup>             | 650 - 1700   | 450 x 2500       | 290.0       |
| YOTAPR3000/10 | 2 x VF 1175 | 2 x 1.5          | 1950 <sup>2)</sup>             | 650 - 1700   | 450 x 3000       | 325.0       |
| YOTAPR1000/13 | VF 1175     | 1.5              | 1000 <sup>1)</sup>             | 650 - 1600   | 700 x 1000       | 200.0       |
| YOTAPR1500/13 | VF 1175     | 1.5              | 1500 <sup>1)</sup>             | 650 - 1600   | 700 x 1500       | 230.0       |
| YOTAPR2000/13 | VF 1175     | 1.5              | 2000 <sup>2)</sup>             | 650 - 1700   | 700 x 2000       | 255.0       |
| YOTAPR2500/13 | 2 x VF 1175 | 2 x 1.5          | 2500 <sup>2)</sup>             | 650 - 1700   | 700 x 2500       | 325.0       |
| YOTAPR3000/13 | 2 x VF 1175 | 2 x 1.5          | 3000 <sup>2)</sup>             | 650 - 1700   | 700 x 3000       | 360.0       |

| Model         | A (mm) | B (mm) | C (mm) | D <sup>3)</sup> (mm) | E (mm) | F (mm) | ØG (mm) | H (mm) | I (mm) | J (mm) |
|---------------|--------|--------|--------|----------------------|--------|--------|---------|--------|--------|--------|
| YOTAPR1000/10 | 1000   | 1022   | 847    | 830-980              | 105    | 145    | 250     | 485    | 1271   | 1018   |
| YOTAPR1500/10 | 1500   | 1022   | 847    | 830-980              | 105    | 145    | 250     | 485    | 1771   | 1518   |
| YOTAPR2000/10 | 2000   | 1022   | 847    | 830-980              | 105    | 145    | 250     | 485    | 2326   | 2018   |
| YOTAPR2500/10 | 2500   | 1022   | 847    | 830-980              | 105    | 145    | 250     | 485    | 3081   | 2518   |
| YOTAPR3000/10 | 3000   | 1022   | 847    | 830-980              | 105    | 145    | 250     | 485    | 3636   | 3018   |
| YOTAPR1000/13 | 1000   | 1272   | 1097   | 830-980              | 105    | 145    | 250     | 735    | 1271   | 1018   |
| YOTAPR1500/13 | 1500   | 1272   | 1097   | 830-980              | 105    | 145    | 250     | 735    | 1771   | 1518   |
| YOTAPR2000/13 | 2000   | 1272   | 1097   | 830-980              | 105    | 145    | 250     | 735    | 2326   | 2018   |
| YOTAPR2500/13 | 2500   | 1272   | 1097   | 830-980              | 105    | 145    | 250     | 735    | 3081   | 2518   |
| YOTAPR3000/13 | 3000   | 1272   | 1097   | 830-980              | 105    | 145    | 250     | 735    | 3636   | 3018   |

<sup>1)</sup> 1 pc. filter cartridge Staubmaster ø480 x 500mm, 8m<sup>2</sup>, G113 <sup>2)</sup> 2 pcs. filter cartridge Staubmaster ø480 x 500mm, 8m<sup>2</sup>, G113 <sup>3)</sup> Adjustable in height

YOTAPR - Suction tables



Additional equipment for YOTAPR suction tables (above)

A : Silencer

B : Outlet connections on silencer

Options for YOTAPR suction tables

| Code group | Description  |
|------------|--|
| KBAB       | Perforated table top for existing wooden/steel ribs. Table depth: 1000 mm  |
| KBAB       | Perforated table top for existing wooden/steel ribs. Table depth: 1250 mm  |
| KBAB       | Support plate for mounting of vice or the like on YOTAPR Depth: 1000 mm  |
| KBAB       | Support plate for mounting of vice or the like on YOTAPR Depth: 1250 mm  |
| KBAB       | Strengthening of YOTAPR (width 1000 mm) from max. load 150 kg/m <sup>2</sup> on rib surface to 300 kg/m <sup>2</sup> |
| KBAB       | Strengthening of YOTAPR (width 1250 mm) from max. load 150 kg/m <sup>2</sup> on rib surface to 300 kg/m <sup>2</sup> |
| KBAB       | Fluorescent lighting fitting 1x18 W (excl. switch) L: 750 mm   |
| KBAB       | Fluorescent lighting fitting 1x36 W (excl. switch) L: 1350 mm  |
| KBAB       | Mounting of fluorescent lighting fitting in hinged top   |
| KBAB       | Mounting of 5 m cable and 230VAC-plug  |
| KBAB       | CEE plug 3-pole 16A 230V   |



**Options**  
Backwall and side panels are optional as well as the lighting.



**Dust container**  
Easy access for dust removal.

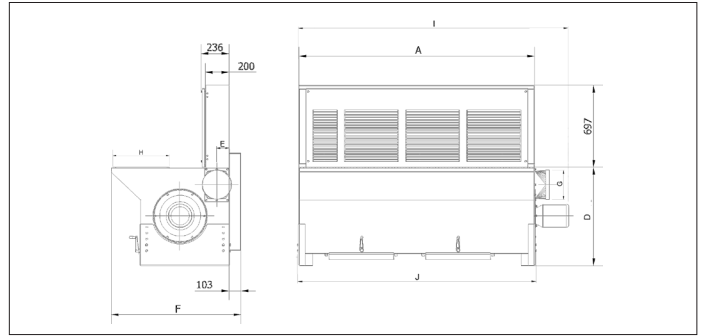
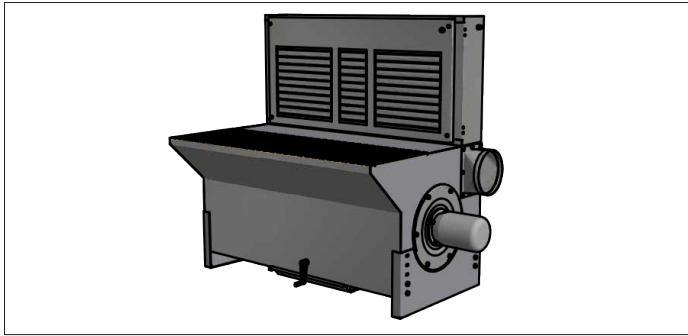


**Integrated fan**  
delivered as a standard.



**Wooden slats**  
The table is standard delivered with wooden slats.

YOTAPR - Suction tables



YOTAPR-B

| Model          | Fan model   | Inst. power (kW) | Air volume (m <sup>3</sup> /h) | Delta P (Pa) | extr. surf. (mm) | Weight (kg) |
|----------------|-------------|------------------|--------------------------------|--------------|------------------|-------------|
| YOTAPRB1000/10 | VF 1175     | 1.5              | 650 <sup>1)</sup>              | 650 - 1600   | 450 x 1000       | 205.0       |
| YOTAPRB1500/10 | VF 1175     | 1.5              | 950 <sup>1)</sup>              | 650 - 1600   | 450 x 1500       | 255.0       |
| YOTAPRB2000/10 | VF 1175     | 1.5              | 1300 <sup>2)</sup>             | 650 - 1700   | 450 x 2000       | 300.0       |
| YOTAPRB2500/10 | 2 x VF 1175 | 2 x 1.5          | 1600 <sup>2)</sup>             | 650 - 1700   | 450 x 2500       | 390.0       |
| YOTAPRB3000/10 | 2 x VF 1175 | 2 x 1.5          | 1950 <sup>2)</sup>             | 650 - 1700   | 450 x 3000       | 445.0       |
| YOTAPRB1000/13 | VF 1175     | 1.5              | 1000 <sup>1)</sup>             | 650 - 1600   | 700 x 1000       | 240.0       |
| YOTAPRB1500/13 | VF 1175     | 1.5              | 1500 <sup>1)</sup>             | 650 - 1600   | 700 x 1500       | 290.0       |
| YOTAPRB2000/13 | VF 1175     | 1.5              | 2000 <sup>2)</sup>             | 650 - 1700   | 700 x 2000       | 395.0       |
| YOTAPRB2500/13 | 2 x VF 1175 | 2 x 1.5          | 2500 <sup>2)</sup>             | 650 - 1700   | 700 x 2500       | 425.0       |
| YOTAPRB3000/13 | 2 x VF 1175 | 2 x 1.5          | 3000 <sup>2)</sup>             | 650 - 1700   | 700 x 3000       | 480.0       |

Dimensions YOTAPR-B

| Model          | A (mm) | B (mm) | C (mm) | D <sup>3)</sup> (mm) | E (mm) | F (mm) | ØG (mm) | H (mm) | I (mm) | J (mm) |
|----------------|--------|--------|--------|----------------------|--------|--------|---------|--------|--------|--------|
| YOTAPRB1000/10 | 1004   | 998    | 998    | 830-980              | 105    | 1104   | 250     | 485    | 1271   | 1018   |
| YOTAPRB1500/10 | 1504   | 1498   | 998    | 830-980              | 105    | 1104   | 250     | 485    | 1771   | 1518   |
| YOTAPRB2000/10 | 2004   | 1898   | 998    | 830-980              | 105    | 1104   | 250     | 485    | 2326   | 2018   |
| YOTAPRB2500/10 | 2504   | 2498   | 998    | 830-980              | 105    | 1104   | 250     | 485    | 3081   | 2518   |
| YOTAPRB3000/10 | 3004   | 2998   | 998    | 830-980              | 105    | 1104   | 250     | 485    | 3636   | 3018   |
| YOTAPRB1000/13 | 1004   | 998    | 1248   | 830-980              | 105    | 1354   | 250     | 735    | 1271   | 1018   |
| YOTAPRB1500/13 | 1504   | 1498   | 1248   | 830-980              | 105    | 1354   | 250     | 735    | 1771   | 1518   |
| YOTAPRB2000/13 | 2004   | 1898   | 1248   | 830-980              | 105    | 1354   | 250     | 735    | 2326   | 2018   |
| YOTAPRB2500/13 | 2504   | 2498   | 1248   | 830-980              | 105    | 1354   | 250     | 735    | 3081   | 2518   |
| YOTAPRB3000/13 | 3004   | 2998   | 1248   | 830-980              | 105    | 1354   | 250     | 735    | 3636   | 3018   |

<sup>1)</sup> 1 pc. filter cartridge Staubmaster ø480 x 500mm, 8m<sup>2</sup>, G113 <sup>2)</sup> 2 pcs. filter cartridge Staubmaster ø480 x 500mm, 8m<sup>2</sup>, G113 <sup>3)</sup> Adjustable in height

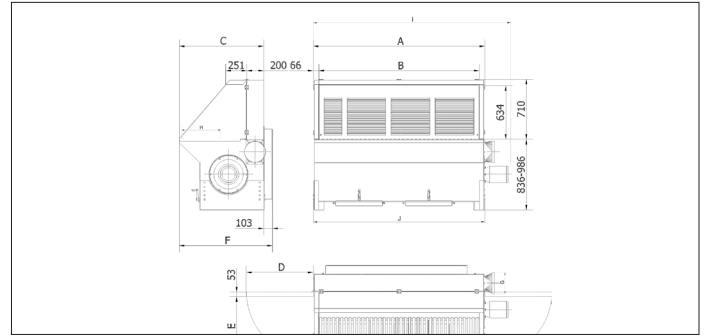
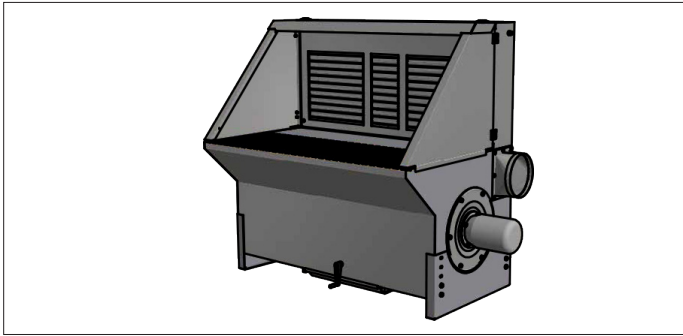
Filter media :

Filter cartridge Staubmaster ø480 mm. Length : 500 mm

| Model | Type     | Material   | Application                            |
|-------|----------|--|--|
| G113  | Standard | Polyester flake with PFPT-coating, antistatic    | Static-loaded or hygroscopic particles |
| G116A | optional | Polyester flake with teflon membrane, antistatic | Finer static-loaded dust sorts         |

The filters meet demands for extraction degree for dust class M according to DIN EN 60335-2-69 Appendix AA (extraction degree > 99.9%).

YOTAPR - Suction tables



YOTAPR-BS

| Model           | Fan model   | Inst. power (kW) | Air volume (m <sup>3</sup> /h) | Delta P (Pa) | extr. surf. (mm) | Weight (kg) |
|-----------------|-------------|------------------|--------------------------------|--------------|------------------|-------------|
| YOTAPRBS1000/10 | VF 1175     | 1.5              | 650 <sup>1)</sup>              | 650 - 1600   | 450 x 1000       | 222.0       |
| YOTAPRBS1500/10 | VF 1175     | 1.5              | 950 <sup>1)</sup>              | 650 - 1600   | 450 x 1500       | 274.0       |
| YOTAPRBS2000/10 | VF 1175     | 1.5              | 1300 <sup>2)</sup>             | 650 - 1700   | 450 x 2000       | 321.0       |
| YOTAPRBS2500/10 | 2 x VF 1175 | 2 x 1.5          | 1600 <sup>2)</sup>             | 650 - 1700   | 450 x 2500       | 413.0       |
| YOTAPRBS3000/10 | 2 x VF 1175 | 2 x 1.5          | 1950 <sup>2)</sup>             | 650 - 1700   | 450 x 3000       | 470.0       |
| YOTAPRBS1000/13 | VF 1175     | 1.5              | 1000 <sup>1)</sup>             | 650 - 1600   | 700 x 1000       | 260.0       |
| YOTAPRBS1500/13 | VF 1175     | 1.5              | 1500 <sup>1)</sup>             | 650 - 1600   | 700 x 1500       | 312.0       |
| YOTAPRBS2000/13 | VF 1175     | 1.5              | 2000 <sup>2)</sup>             | 650 - 1700   | 700 x 2000       | 359.0       |
| YOTAPRBS2500/13 | 2 x VF 1175 | 2 x 1.5          | 2500 <sup>2)</sup>             | 650 - 1700   | 700 x 2500       | 451.0       |
| YOTAPRBS3000/13 | 2 x VF 1175 | 2 x 1.5          | 3000 <sup>2)</sup>             | 650 - 1700   | 700 x 3000       | 508.0       |

YOTAPR-BS-ISO

| Model              | Fan model   | Inst. power (kW) | Air volume (m <sup>3</sup> /h) | Delta P (Pa) | extr. surf. (mm) | Weight (kg) |
|--------------------|-------------|------------------|--------------------------------|--------------|------------------|-------------|
| YOTAPRBSISO1000/10 | VF 1175     | 1.5              | 650 <sup>1)</sup>              | 650 - 1600   | 450 x 1000       | 227.0       |
| YOTAPRBSISO1500/10 | VF 1175     | 1.5              | 950 <sup>1)</sup>              | 650 - 1600   | 450 x 1500       | 282.0       |
| YOTAPRBSISO2000/10 | VF 1175     | 1.5              | 1300 <sup>2)</sup>             | 650 - 1700   | 450 x 2000       | 332.0       |
| YOTAPRBSISO2500/10 | 2 x VF 1175 | 2 x 1.5          | 1600 <sup>2)</sup>             | 650 - 1700   | 450 x 2500       | 427.0       |
| YOTAPRBSISO3000/10 | 2 x VF 1175 | 2 x 1.5          | 1950 <sup>2)</sup>             | 650 - 1700   | 450 x 3000       | 487.0       |
| YOTAPRBSISO1000/13 | VF 1175     | 1.5              | 1000 <sup>1)</sup>             | 650 - 1600   | 700 x 1000       | 266.0       |
| YOTAPRBSISO1500/13 | VF 1175     | 1.5              | 1500 <sup>1)</sup>             | 650 - 1600   | 700 x 1500       | 321.0       |
| YOTAPRBSISO2000/13 | VF 1175     | 1.5              | 2000 <sup>2)</sup>             | 650 - 1700   | 700 x 2000       | 371.0       |
| YOTAPRBSISO2500/13 | 2 x VF 1175 | 2 x 1.5          | 2500 <sup>2)</sup>             | 650 - 1700   | 700 x 2500       | 466.0       |
| YOTAPRBSISO3000/13 | 2 x VF 1175 | 2 x 1.5          | 3000 <sup>2)</sup>             | 650 - 1700   | 700 x 3000       | 526.0       |

Dimensions YOTAPR-BS & YOTAPR-BS-ISO

| Model           | A (mm) | B (mm) | C (mm) | D (mm) | E (mm) | F (mm) | ØG (mm) | H (mm) | I (mm) | J (mm) |
|-----------------|--------|--------|--------|--------|--------|--------|---------|--------|--------|--------|
| YOTAPRBS1000/10 | 1030   | 998    | 998    | 790    | 738    | 1104   | 250     | 485    | 1271   | 1018   |
| YOTAPRBS1500/10 | 1530   | 1498   | 998    | 790    | 738    | 1104   | 250     | 485    | 1771   | 1518   |
| YOTAPRBS2000/10 | 2030   | 1898   | 998    | 790    | 738    | 1104   | 250     | 485    | 2326   | 2018   |
| YOTAPRBS2500/10 | 2530   | 2498   | 998    | 790    | 738    | 1104   | 250     | 485    | 3081   | 2518   |
| YOTAPRBS3000/10 | 3030   | 2998   | 998    | 790    | 738    | 1104   | 250     | 485    | 3636   | 3018   |
| YOTAPRBS1000/13 | 1030   | 998    | 1248   | 1040   | 988    | 1354   | 250     | 735    | 1271   | 1018   |
| YOTAPRBS1500/13 | 1530   | 1498   | 1248   | 1040   | 988    | 1354   | 250     | 735    | 1771   | 1518   |
| YOTAPRBS2000/13 | 2030   | 1898   | 1248   | 1040   | 988    | 1354   | 250     | 735    | 2326   | 2018   |
| YOTAPRBS2500/13 | 2530   | 2498   | 1248   | 1040   | 988    | 1354   | 250     | 735    | 3081   | 2518   |
| YOTAPRBS3000/13 | 3030   | 2998   | 1248   | 1040   | 988    | 1354   | 250     | 735    | 3636   | 3018   |

<sup>1)</sup> 1 pc. filter cartridge Staubmaster ø480 x 500mm, 8m<sup>2</sup>, G113 <sup>2)</sup> 2 pcs. filter cartridge Staubmaster ø480 x 500mm, 8m<sup>2</sup>, G113 <sup>3)</sup> Adjustable in height