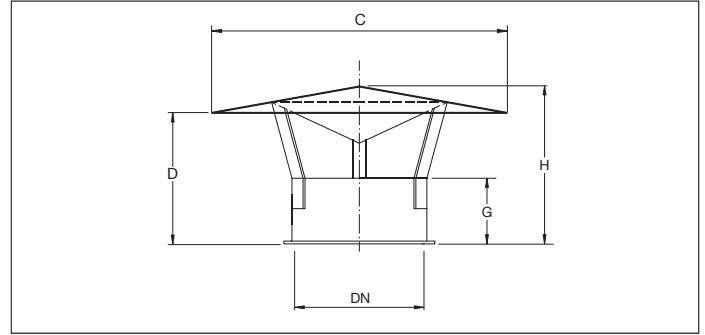


BGBD Rain caps



BDGD Rain caps

Fully welded rain cap with a sheet thickness of 1.50 or 2.00 mm.

Serves the same purpose as jet caps for air expulsion through a roof.

Ø100 up to Ø200 is with a flat hood, whereas the Ø224 up to Ø630 is with a conical hood with integrated cone.

Material

1.50 or 2.00 mm hot-dipped galvanized sheet metal. Temperature resistance up to +80°C.

Galvanization according to DIN 1461 with a thickness of 65 µm.

Type

Rolled sheets with 6 mm edges for lock rings.

Options

- FDA and EU compliant food-grade quality
- stainless steel execution
- equipotential equalization
- other types of edges or connections

* Model with flat hood

Ø d mm	Code	C mm	D mm	G mm	H mm	s mm	Weight kg
100*	BDGC000002	225	-	50	102	1.50	0.45
120*	BDGC000003	270	-	50	112	1.50	0.65
140*	BDGC000004	325	-	50	122	1.50	0.84
150*	BDGC000005	325	-	50	127	1.50	0.90
160*	BDGC000006	350	-	50	133	1.50	1.05
175*	BDGC000007	375	-	50	140	1.50	1.15
200*	BDGC000008	425	-	100	152	1.50	1.45
224	BDGC000009	525	205	100	275	1.50	5.20
250	BDGC000010	525	205	100	275	1.50	5.80
280	BDGC000011	596	220	100	300	1.50	6.72
300	BDGC000012	625	230	100	315	1.50	7.20
315	BDGC000013	655	230	100	320	1.50	13.23
350	BDGC000014	750	300	150	395	2.00	14.70
400	BDGC000015	850	320	150	435	2.00	15.20
450	BDGC000016	950	340	150	470	2.00	22.00
500	BDGC000017	1050	410	200	550	2.00	27.00
550	BDGC000018	1150	435	200	590	2.00	32.00
560	BDGC000019	1150	435	200	590	2.00	32.58
600	BDGC000020	1250	455	200	620	2.00	34.91
630	BDGC000021	1300	470	200	645	2.00	36.65

FA_T01_IDPAINTED.NSV4_2.2022.EN