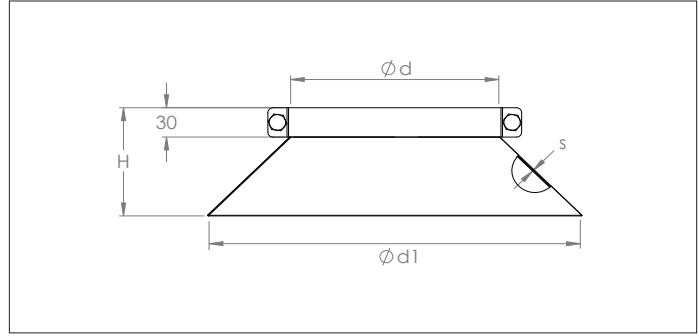


AAGA Storm collars



AAGA Storm collars

The storm collars are used in combination with roof passages (AAGD) ensure a waterproof passage of a pipe through the roof of a building.

The storm collars consist of 2 parts lined with a rubber sealing for better tightness around the pipe.

Material

Sendzimir galvanized DX51 DZ 275 MAC.

Type

Rolled sheets assembled by bolts, with foam insert (or rubber).

Options

- for rectangular ducting
- other diameters
- other sheet thicknesses depending on diameter

Ø	Code	Ø d1 mm	H mm	s1 mm	Weight kg
80	AAGA000028	243	110	0.88	0.65
100	AAGA000029	263	110	0.88	0.71
120	AAGA000030	283	110	0.88	0.79
125	AAGA000027	288	110	0.88	0.82
140	AAGA000001	303	110	0.88	0.87
150	AAGA000002	313	110	0.88	0.91
160	AAGA000003	323	110	0.88	0.95
180	AAGA000004	343	110	0.88	1.05
200	AAGA000005	363	110	0.88	1.15
225	AAGA000006	388	110	0.88	1.25
250	AAGA000007	413	110	0.88	1.35
275	AAGA000008	438	110	0.88	1.42
280	AAGA000026	443	110	0.88	1.46
300	AAGA000009	463	110	0.88	1.55
315	AAGA000010	478	110	0.88	1.60
350	AAGA000011	513	110	0.88	1.75
400	AAGA000012	560	110	0.88	1.95
450	AAGA000013	613	110	0.88	2.15
500	AAGA000014	663	110	0.88	2.35
550	AAGA000015	713	110	0.88	2.54
600	AAGA000016	763	110	0.88	2.75
630	AAGA000017	793	110	0.88	2.90
650	AAGA000018	813	110	0.88	3.00
700	AAGA000019	863	110	0.88	3.15
750	AAGA000020	913	110	0.88	3.40
800	AAGA000021	963	110	0.88	3.60
850	AAGA000022	1013	110	0.88	3.80
900	AAGA000023	1063	110	0.88	4.00
950	AAGA000024	1113	110	0.88	4.20
1000	AAGA000025	1163	110	0.88	4.50