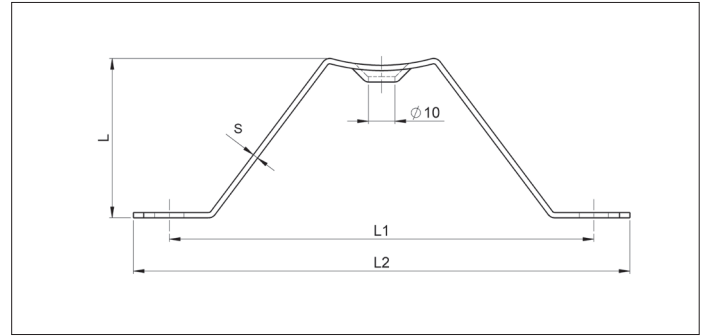
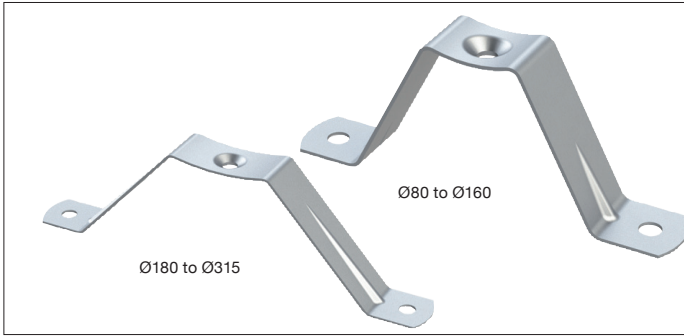


Mounting brackets legs GAEC & GAED



Mounting brackets legs GAEC & GAED

Legs for wall or ceiling mounting of the mounting brackets GAEA & GAEB.

Material

Galvanized steel

Options

- Reinforced RAL 7032 painted execution
- Other lengths GAED



Ø	Code	L mm	L1 mm	L2 mm	Width mm	s mm	Weight kg
80 to 160	GAEC000001	65	135	165	28	2.5	0.13
180 to 315	GAEC000002	65	210	240	28	2.5	0.16
350	GAED000001	235	-	-	40	3.0	0.27
400	GAED000002	260	-	-	40	3.0	0.30
450	GAED000003	285	-	-	40	3.0	0.34
500	GAED000004	310	-	-	40	3.0	0.34
550	GAED000005	335	-	-	40	3.0	0.36
600	GAED000006	360	-	-	40	3.0	0.37
630	GAED000007	380	-	-	40	3.0	0.38
650	GAED000008	390	-	-	40	3.0	0.40
700	GAED000009	463	-	-	40	3.0	0.41
750	GAED000010	490	-	-	40	3.0	0.42
800	GAED000011	515	-	-	40	3.0	0.43
850	OCSUP850	540	-	-	40	3.0	0.44