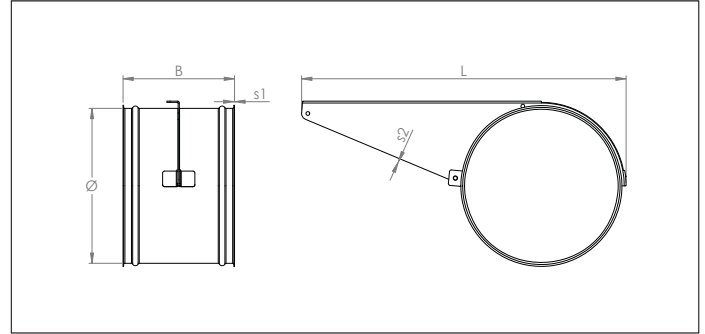


AADD Balance dampers



AADD Balance dampers

Manually operated dampers by chain or rope for mounting in horizontal ducting in higher places for use in under-pressure and pressureless systems.

A sealing strip is applied on the mobile blade to insure airtightness when open.

Chain or rope not included.

Material

Sendzimir galvanized DX51 DZ 275 MAC.

Type

Rolled and folded stitch-welded sheets with 6 mm edges for lock rings.

Options

- other diameters
- other sheet thicknesses depending on diameter
- other types of edges or connections

Ø	Code	B mm	L mm	S1 mm	S2 mm	Weight kg
80	AADD000001	180	205	1.00	2.00	0.85
100	AADD000002	180	210	1.00	2.00	0.95
120	AADD000003	180	240	1.00	2.00	1.20
125	AADD000016	180	240	1.00	2.00	1.25
140	AADD000004	180	290	1.00	2.00	1.37
150	AADD000005	180	330	1.00	2.00	1.54
160	AADD000006	180	375	1.00	2.00	1.65
180	AADD000007	180	400	1.00	2.00	1.89
200	AADD000008	180	415	1.00	2.00	2.10
225	AADD000009	180	468	1.00	2.00	2.40
250	AADD000010	180	520	1.00	2.00	2.77
275	AADD000011	180	570	1.00	2.00	3.16
280	AADD000017	180	575	1.00	2.00	3.21
300	AADD000012	180	580	1.00	2.00	3.55
315	AADD000013	180	650	1.00	2.00	3.85
350	AADD000014	180	725	1.00	2.00	4.51
400	AADD000015	180	830	1.00	2.00	5.43

FA.T01.IDGALVA.2022.NS/V5.0.EN