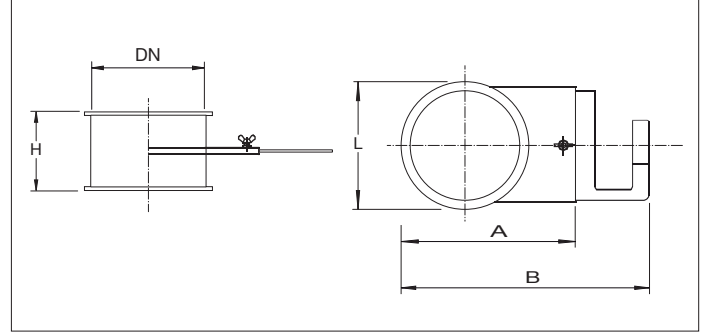


BADC Heavy manual sliding dampers



BADC Heavy manual sliding dampers

Full welded manual sliding dampers to regulate, open, or close a ducting line in an installation (possibility to regulate).

The sliding damper blade is locked in a desired position by tightening the butterfly nut on the handle.

These sliding dampers are suitable for the transport of waste materials such as dust and chips but also for the transport of grains and such.

Material

2.00 mm black steel 1.0330 powder coated in RAL 7032. Electrostatically conductive and food-safe powder coating thickness of 30 to 60 µm. Temperature resistance up to +80°C.

Type

Rolled sheets with 6 mm edges for lock rings.

Options

- FDA and EU compliant food-grade quality
- stainless steel execution
- wear resistant lining as of Ø150 (83° Shore)
- equipotential equalization
- other colors
- other types of edges or connections



Butterfly nut to lock the blade in the desired position

Ø d mm	Code	A mm	B mm	L mm	H mm	s mm	Weight kg
100	BADC000001	150	240	115	70	2.00	1.33
120	BADC000002	190	280	135	70	2.00	1.60
150	BADC000003	235	325	165	70	2.00	2.00
175	BADC000004	270	360	190	70	2.00	2.33
200	BADC000005	310	400	215	70	2.00	3.00
250	BADC000006	385	475	265	70	2.00	3.75
300	BADC000007	460	550	315	70	2.00	4.50