

BADZ000002 - Dust level sensor



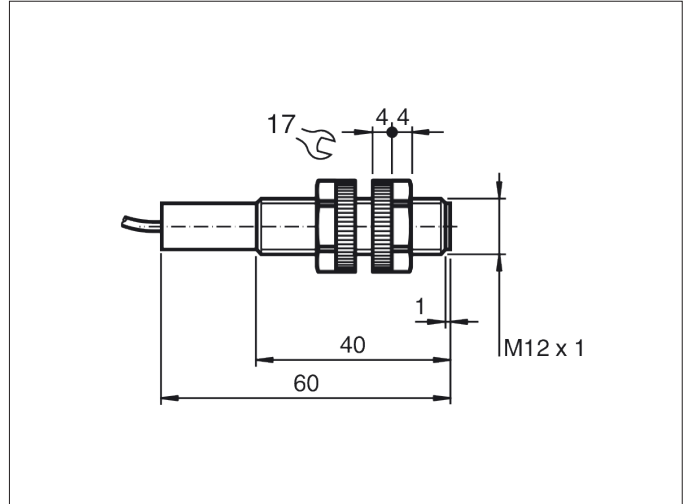
BADZ000002 - Dust level sensor

This sensor is designed to measure the dust level formation within the BADA ATEX non-return valve and give a signal in case of non-compliance.

It is a prewired device produced according to the ATEX directives.

Protection level

- II 1G Ex ia IIC T6...T1 Ga
- II 1D Ex ia IIIC T135°C Da



Material

Stainless steel housing with M12 mounting nuts

Type

Pre-wired with 2 x 10 m PVC coated cables

Other information

- Conformity according to : CE, CSA, UL and FM
- NAMUR compliance : EN 60947-5-6:2000 IEC 60947-5-6:1999 and EN 60947-5-2:2007
- Other Compliance standards : EN 60947-5-2/A1:2012, IEC 60947-5-2:2007, and IEC 60947-5-2 AMD 1:2012
- Voltage : 12 V DC
- Protection : IP 68
- Temperature range : -25°C to +70°C

Options

- Other voltages

