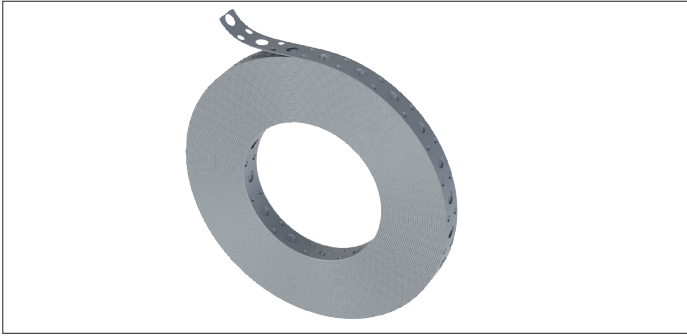


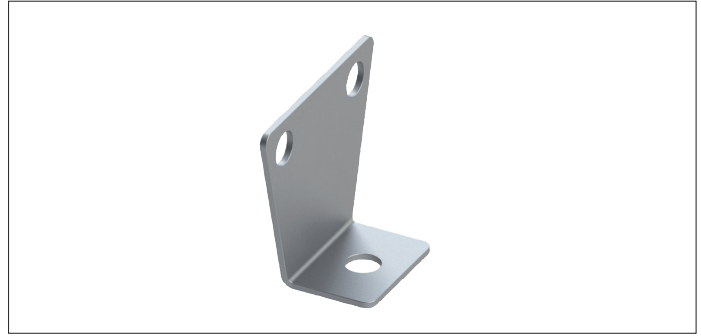
**Mounting accessories**



**Suspension strips GAZA**

Suspension elements to be used for light loads. It can be directly affixed to the ceiling or structure. Made in galvanized steel.

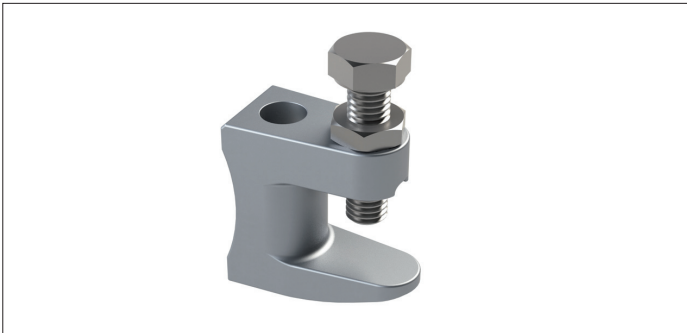
Width mm	Code	Length m
17	GAZA000001	30
25	GAZA000002	30



**Support legs GZCZ**

For the mounting of the GACA pipe connectors in the high vacuum section, made in galvanized steel.

Code	Weight
GZCZ900003	0.50



**Suspension clamps GAZB**

Suspension elements, available in M8 or M10, made of galvanized steel.

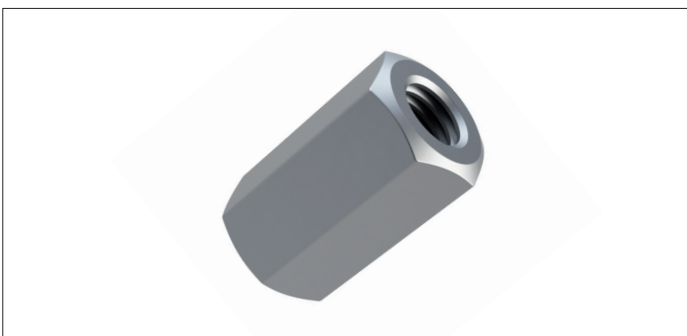
Code	Size	Weight
GAZB000001	M8	0.10
GAZB000002	M10	0.12



**Flat screws GAZE**

Suspension elements, available in M8 or M10, made of galvanized steel.

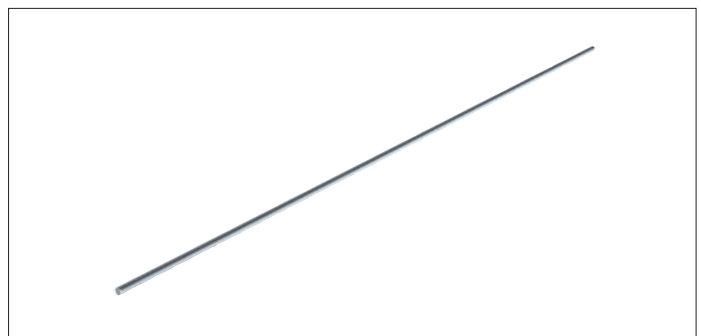
Code	Size	Weight
GAZE000001	M8	0.01
GAZE000002	M10	0.02



**Connection muffers GAZD**

Suspension elements, available in M8 or M10, made of galvanized steel.

Code	Size	Weight
GAZD000001	M8	0.02
GAZD000002	M10	0.02



**Threaded rods GAZF**

Suspension elements, available in M8 or M10, made of galvanized steel.

Standard length : 1000 mm

Code	Size	Weight
GAZF000001	M8	0.30
GAZF000002	M10	0.40