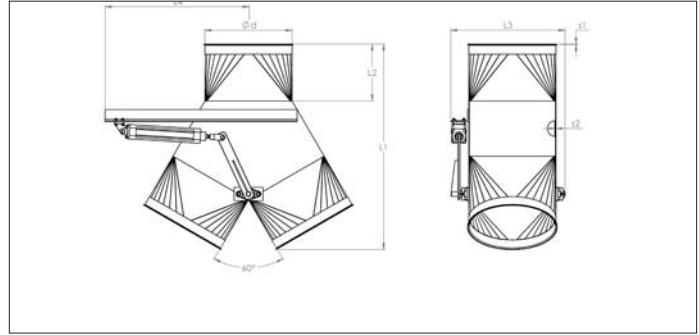


**BAHC Pneumatic symmetrical diverters 60°**



**BAHC Pneumatic asymmetrical diverters 60°**

Full welded pneumatic symmetrical diverter for bulk transport to silos, containers and such.

The change in direction of the material is operated by a pneumatic linear cylinder controlled by 5/2 monostable solenoid valve which activates the lever from left to right. The inner plate axle is mounted on two ball bearings for smooth running.

These diverters are designed to be used for falling material and light pneumatic transport (for example wood chips, polystyrene, non-fibrous material, etc.) in vertical ducting.

**Material**

2.00 mm powder coated black steel in RAL 5010.  
Electrostatically conductive and food-safe powder coating thickness of 30 to 60 µm.  
Temperature resistance up to +80°C.

**Type**

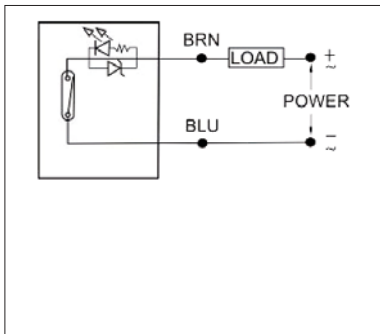
Welded and folded plates with 6 mm edges for lock rings.  
Extra side reinforcements from Ø 500 mm and up.

**Options**

- with seal
- hot-dipped galvanized or stainless steel execution
- equipotential equalization
- other colors
- other sheet thicknesses, depending on material and diameter
- other types of edges or connections
- position indicators (5/250 V AC- DC - IP 67)
- other types of solenoid valves (bistable, manual, ATEX)
- other types of cylinders (high temperature, ATEX)

**! Max. air pressure in solenoid valve : 8 Bar.**

**! Please state the voltage when ordering:  
24 V AC, 24 V DC, 220 V AC.**



Wiring diagram of solenoid valve

Ø d mm	Code	L1 mm	L2 mm	L3 mm	L4 mm	s1 mm	s2 mm	Weight kg
100	BAHC000019	365	108	250	500	2.00	3.00	6.50
120	BAHC000020	365	108	250	500	2.00	3.00	7.10
125	BAHC000057	365	108	250	500	2.00	3.00	7.20
140	BAHC000021	490	150	299	610	2.00	3.00	8.10
150	BAHC000022	490	150	299	610	2.00	3.00	9.00
160	BAHC000023	490	150	299	610	2.00	3.00	9.10
180	BAHC000024	545	150	343	750	2.00	3.00	12.80
200	BAHC000025	545	150	343	750	2.00	3.00	13.50
225	BAHC000026	815	250	393	752	2.00	3.00	16.30
250	BAHC000027	815	250	393	752	2.00	3.00	19.20
275	BAHC000028	920	250	450	755	2.00	3.00	21.70
300	BAHC000029	920	250	450	755	2.00	3.00	24.20
315	BAHC000030	960	250	495	840	2.00	3.00	26.50
350	BAHC000031	960	250	495	840	2.00	3.00	28.80
400	BAHC000032	1135	300	545	895	2.00	3.00	42.40
450	BAHC000033	1195	300	592	895	2.00	3.00	46.80
500	BAHC000034	1360	350	655	905	2.00	3.00	59.60
550	BAHC000035	1385	350	695	952	2.00	3.00	74.50
600	BAHC000036	1645	400	810	975	2.00	3.00	89.70