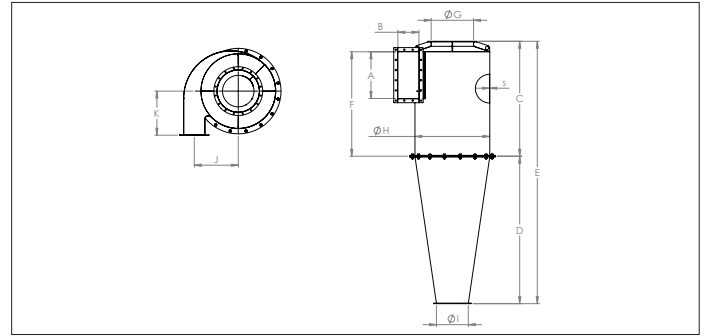


FA cyclones



FA cyclones

The FA cyclone is a high performance separator that ensures an effective separation of fine and heavy particles. Entirely welded, the FA cyclone is made of 2 and 3 mm sheet metal, painted with anti-rust paint and topcoat of epoxy paint.

Accessories

- Support legs with connection at the base of the cone
- 90 L dust bucket
- Connection piece for rotary valve
- Expansion chamber
- Leg extensions for Big-Bag use
- In- and outlet pieces

Material

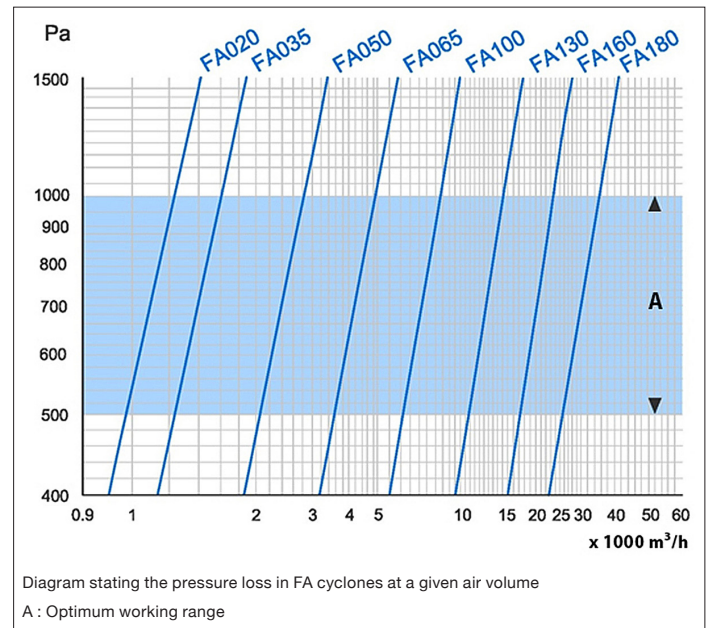
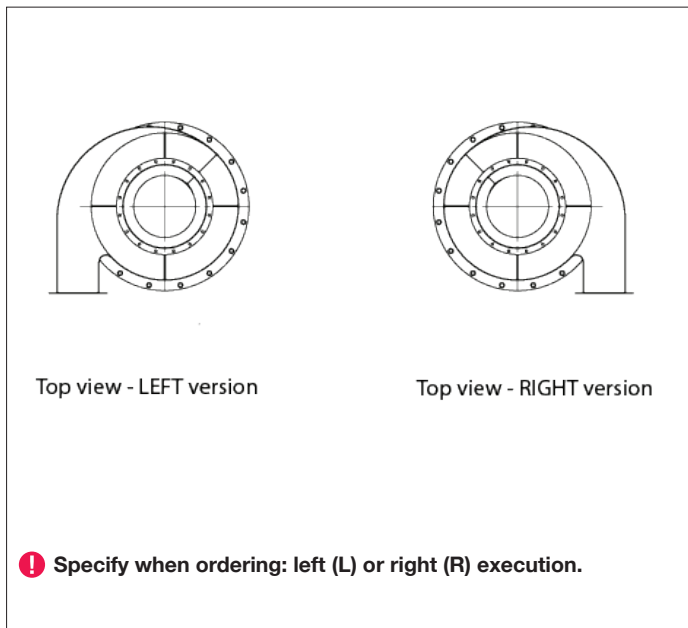
St 37.2 black steel powder coated RAL 5010
Temperature resistance : +80°C

Type

2 mm rolled plates welded together
Hopper and body assembled by bolts

Options

- Stainless steel (AISI 304L or 316L)
- Galvanized
- Reinforced
- Other legs
- Inspection door
- Other RAL colors
- Removable wear plate on inlet



Model	A (mm)	B (mm)	C (mm)	D (mm)	E (mm)	F (mm)	Int. ØG (mm)	Int. ØH (mm)	Int. ØI (mm)	J (mm)	K (mm)	s (mm)	Weight (kg)
FA 20	230	100	645	820	1465	570	225	400	160	234	240	2	25.0
FA 35	285	125	770	1020	1790	710	250	500	200	290	300	2	35.0
FA 50	350	160	770	1020	1790	710	250	500	200	308	300	2	36.0
FA 65	445	200	1086	1414	2500	998	400	710	300	419	420	2	70.0
FA 100	560	300	1675	2050	3725	1490	550	1000	400	615	600	2	143.0
FA 130	750	400	2270	2820	5090	2000	700	1250	450	782	700	3	339.0
FA 160	1100	500	2270	3150	5420	2000	800	1600	550	1050	900	3	479.0
FA 180	1500	500	2800	3450	6250	2500	1000	1800	630	1150	950	3	682.0

FA cyclones



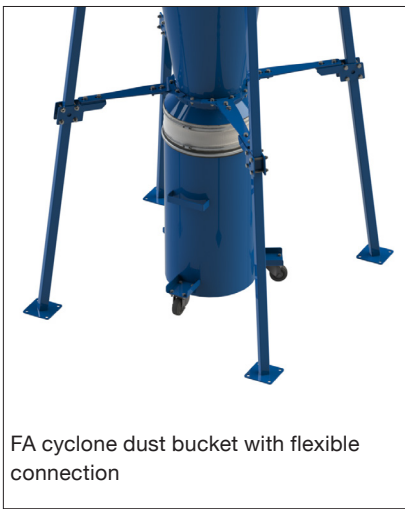
FA cyclone with legs



FA cyclone with legs and dust bucket



FA cyclone expansion chamber with leg extensions



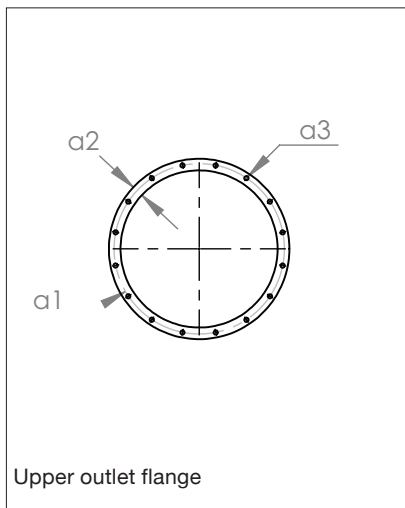
FA cyclone dust bucket with flexible connection



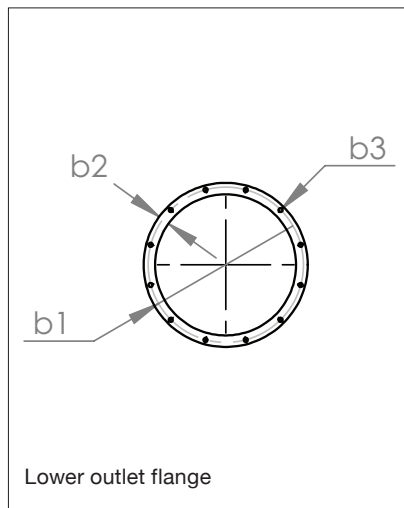
FA cyclone dust bucket (heavy model)



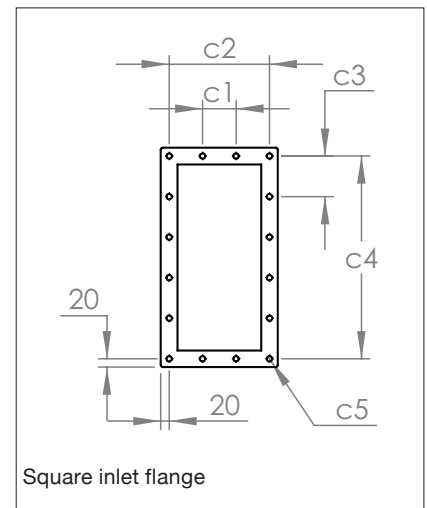
FA cyclone expansion chamber for a better air/particles separation



Upper outlet flange



Lower outlet flange



Square inlet flange

Model	Air volume (m ³ /h)	Upper outlet flange			Lower outlet flange			Square inlet flange				
		Øa1	a2	Ø a3	Øb1	b2	Øb3	c1	c2	c3	c4	Øc5
FA 20	0,1	260	25	12 x 9.5	195	25	8 x 9.5	70	2 x 70	90	3x 90	13
FA 35	0,3	285	25	12 x 9.5	235	25	12 x 9.5	82,5	2x 82.5	108	3x 108	13
FA 50	0,3	285	25	12 x 9.5	235	25	12 x 9.5	100	2x 100	97.5	4x 97.5	13
FA 65	0,7	439	30	16 x 11.5	336	25	12 x 9.5	80	3x 80	97	5x 97	13
FA 100	2,1	590	30	16 x 11.5	439	30	16 x 11.5	113	3x 113	100	6x 100	13
FA 130	4,3	750	40	24 x 11.5	489	30	16 x 11.5	110	4x 110	99	8x 99	13
FA 160	7,3	850	40	24 x 11.5	590	30	16 x 11.5	108	5x 108	104	11x 104	13
FA 180	11,0	1050	40	24 x 11.5	670	30	24 x 11.5	108	5x 108	103	15x 103	13

FA cyclones

Working principle of flow through FA cyclone :

