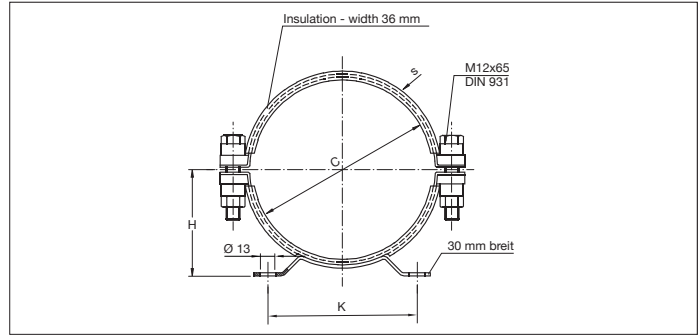
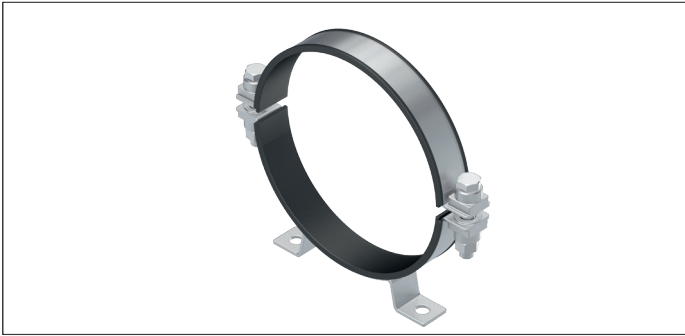


Mounting brackets GAEF for wall mounting



Mountingbrackets GAEG for ceiling mounting

For the suspension of ducting on an existing structure. Delivered with 2x M12x65 bolts for assembly.

Material

Galvanized steel

EPDM seal, Temperature range -20°C up to +90°C

Options

- Stainless steel AISI 304
- Silicone seal

Ø	Code	H mm	K mm	Width mm	s mm	Weight kg
80	GAEF000001	64	138	25	1.5	0.28
100	GAEF000002	75	138	25	1.5	0.32
120	GAEF000003	86	138	25	1.5	0.36
140	GAEF000004	94	138	25	1.5	0.40
150	GAEF000005	101	148	25	1.5	0.42
160	GAEF000006	108	148	25	1.5	0.43
175	GAEF000007	113	148	25	1.5	0.46
200	GAEF000008	126	148	25	1.5	0.50
224	GAEF000009	136	148	25	1.5	0.54
250	GAEF000010	151	230	25	1.5	0.57
280	GAEF000011	166	230	25	1.5	0.60
300	GAEF000012	176	230	25	1.5	0.64
315	GAEF000013	195	230	25	1.5	0.66
350	GAEF000014	204	260	30	2.5	1.23
400	GAEF000015	228	260	30	2.5	1.39
450	GAEF000016	254	300	30	2.5	1.55
500	GAEF000017	279	300	30	2.5	1.69
550	GAEF000018	300	350	30	2.5	1.84
560	GAEF000019	309	350	30	2.5	1.89
600	GAEF000020	321	350	30	2.5	1.97
630	GAEF000021	344	350	30	2.5	2.05