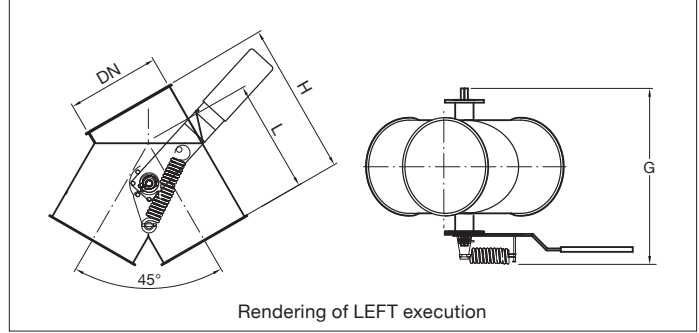


**BAHH Manual branch diverters 45° with seal**



**BAHH Manual branch diverters 45° with seal**

Full welded round manual branch diverter with interior collar and silicone seal for bulk transport to silos, containers and such.

The change in direction of the material is operated by moving the hand lever from left to right. It is held in position by the spring. The inner plate is mounted on two ball bearings for smooth running.

These diverters are designed to be used for falling material and light pneumatic transport (for example wood chips, polystyrene, etc.) in vertical ducting in a right or left execution (to specify when ordering).

**Material**

2.00 mm powder coated black steel in RAL 7032.  
Electrostatically conductive and food-safe powder coating thickness of 30 to 60 µm.  
Temperature resistance up to +80°C.  
Silicone seal.

**Type**

Rolled and welded plates with 6 mm edges for lock rings.

**Options**

- FDA and EU compliant food-grade quality
- with other seal material
- hot-dipped galvanized or stainless steel execution
- equipotential equalization
- other colors
- 3 mm sheet thicknesses, depending on material and diameter
- other types of edges or connections

Diverter with seal

Ø d mm	Code		G mm	H mm	L mm	Thickness mm	Weight kg
	Left	Right					
100	BAHH000063	BAHH000079	292	226	185	2.00	12.00
120	BAHH000064	BAHH000080	313	273	228	2.00	13.00
150	BAHH000065	BAHH000081	344	321	270	2.00	16.00
175	BAHH000066	BAHH000082	368	367	310	2.00	19.00
200	BAHH000067	BAHH000083	394	412	350	2.00	22.00
250	BAHH000068	BAHH000084	444	501	418	2.00	28.00
300	BAHH000069	BAHH000085	493	590	497	2.00	34.00
350	BAHH000070	BAHH000086	555	705	547	2.00	40.00
400	BAHH000071	BAHH000087	593	850	667	2.00	52.00