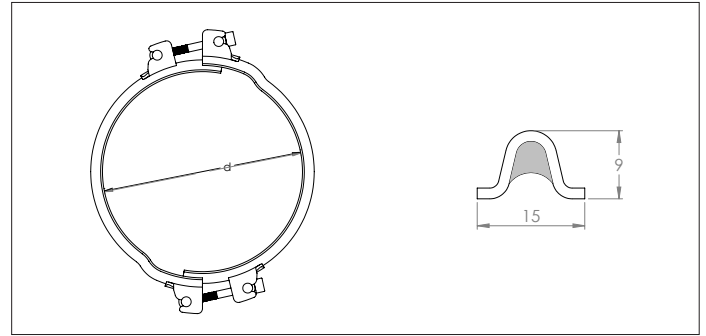


Pull rings with Terostat GAAH



Pull rings with Terostat GAAH

Rings with integrated Terostat (polymer Silane paste). For unpressurized or under-pressure systems. The Terostat seal is protected by a plastic film which needs to be removed during assembling.

! For assembly of ducting from 0.75 mm up to 3 mm. Specify ducting thickness when ordering.

Material

Galvanized steel with Terostat insert

Options

- Other diameters
- Stainless steel AISI 304 (GBAH)

Ø	Code			Ød mm	S mm	Weight kg
	1 mm	2 mm	3mm			
80	GAAH000001	GAAH000024	GAAH000047	84	1.25	0.21
100	GAAH000002	GAAH000025	GAAH000048	104	1.25	0.23
120	GAAH000003	GAAH000026	GAAH000049	124	1.25	0.28
125	GAAH000071	GAAH000072	GAAH000073	129	1.25	0.29
140	GAAH000004	GAAH000027	GAAH000050	144	1.25	0.30
150	GAAH000005	GAAH000028	GAAH000051	154	1.25	0.31
160	GAAH000006	GAAH000029	GAAH000052	164	1.25	0.32
180	GAAH000008	GAAH000031	GAAH000054	184	1.25	0.34
200	GAAH000009	GAAH000032	GAAH000055	204	1.25	0.36
224	GAAH000010	GAAH000033	GAAH000056	228	1.25	0.39
250	GAAH000011	GAAH000034	GAAH000057	254	1.25	0.42
280	GAAH000012	GAAH000035	GAAH000058	284	1.25	0.45
300	GAAH000013	GAAH000036	GAAH000059	304	1.25	0.47
315	GAAH000014	GAAH000037	GAAH000060	319	1.25	0.49
350	GAAH000015	GAAH000038	GAAH000061	354	1.25	0.52
400	GAAH000016	GAAH000039	GAAH000062	404	1.25	0.57
450	GAAH000017	GAAH000040	GAAH000063	454	1.25	0.62
500	GAAH000018	GAAH000041	GAAH000064	504	1.25	0.66
550	GAAH000019	GAAH000042	GAAH000065	554	1.25	0.71
560	GAAH000020	GAAH000043	GAAH000066	564	1.25	0.73
600	GAAH000021	GAAH000044	GAAH000067	604	1.25	0.76
630	GAAH000022	GAAH000045	GAAH000069	634	1.25	0.80