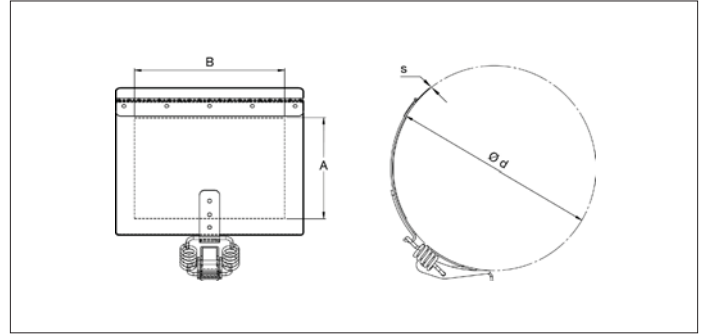


AAAE Inspection doors type 'D' with locking mechanism



Inspection doors type 'D' with locking mechanism
Inspection doors type 'D' can be applied to an existing pipe.

The inspection door is always produced with an inner plate for a smooth inner surface of the pipe.

Designed to be mounted on straight elements, no curved or conical components. Keep in mind that a seal needs to be applied along the edge of the opening to insure airtightness.

Material
Sendzimir galvanized DX51 DZ 275 MAC.

Type
Rolled sheet, including locking mechanism and hinge.

Options
- other sheet thicknesses depending on diameter and length

! Please state pipe diameter when ordering!

Ø d mm	Code	A x B mm	s mm	Weight kg
80	AAAE000001	80 x 150	0.88	0.37
100	AAAE000002	80 x 150	0.88	0.37
120	AAAE000003	100 x 150	0.88	0.41
125	AAAE000029	100 x 150	0.88	0.41
140	AAAE000004	100 x 150	0.88	0.41
150	AAAE000005	100 x 150	0.88	0.41
160	AAAE000006	100 x 150	0.88	0.41
180	AAAE000007	100 x 150	0.88	0.41
200	AAAE000008	100 x 150	0.88	0.41
225	AAAE000009	100 x 150	0.88	0.41
250	AAAE000010	100 x 150	0.88	0.41
275	AAAE000011	100 x 150	0.88	0.41
280	AAAE000030	100 x 150	0.88	0.41
300	AAAE000012	100 x 150	0.88	0.41
315	AAAE000013	100 x 150	0.88	0.41
350	AAAE000014	150 x 200	0.88	0.73
400	AAAE000015	150 x 200	0.88	0.73
450	AAAE000016	150 x 200	0.88	0.73
500	AAAE000017	150 x 200	0.88	0.73
550	AAAE000018	150 x 200	0.88	0.73
600	AAAE000019	150 x 200	0.88	0.73
630	AAAE000020	150 x 200	0.88	0.73
650	AAAE000021	150 x 200	0.88	0.73
700	AAAE000022	150 x 200	0.88	0.73
750	AAAE000023	150 x 200	0.88	0.73
800	AAAE000024	150 x 200	0.88	0.73
850	AAAE000025	150 x 200	0.88	0.73
900	AAAE000026	150 x 200	0.88	0.73
950	AAAE000027	150 x 200	0.88	0.73
1000	AAAE000028	150 x 200	0.88	0.73