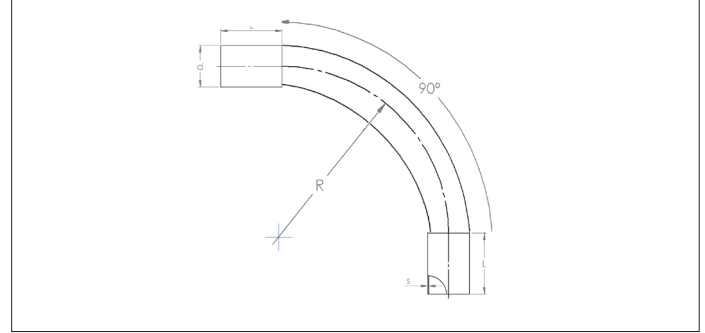


**CBBB long radius bends**



**CBBB long radius bends**

Longitudinally welded bends with a thickness of 1.5 to 2 mm and completely airtight available in 45° and 90°.

They are attached to the pipe by means of a pipe connector.

**Material**

Stainless steel AISI 304 (1.4301).

**Type**

With straight edges for a good connection with pipe connectors.

**Options**

- Niro stainless steel
- Hardened glass with conductivity strip

Ø d	Code 45°	Code 90°	Ø mm	R mm	L mm	S mm	Weight kg
38	CBBB000040	CBBB000044	38	250	200	1.5	2.3
38	CBBB000041	CBBB000045	38	500	200	1.5	4.6
38	CBBB000042	CBBB000046	38	800	200	1.5	7.6
38	CBBB000043	CBBB000047	38	1000	200	1.5	9.1
50	CBBB000015	CBBB000001	50.8	250	200	1.5	3.0
50	CBBB000025	CBBB000005	50.8	500	200	1.5	6.0
50	CBBB000030	CBBB000010	50.8	800	200	1.5	10.0
50	CBBB000035	CBBB000015	50.8	1000	200	1.5	12.0
63	CBBB000016	CBBB000040	63.5	160	200	1.5	3.8
63	CBBB000026	CBBB000006	63.5	500	200	1.5	7.6
63	CBBB000031	CBBB000011	63.5	800	200	1.5	12.6
63	CBBB000036	CBBB000016	63.5	1000	200	1.5	15.1
76	CBBB000017	CBBB000002	76.1	250	200	1.5	4.6
76	CBBB000027	CBBB000007	76.1	500	200	1.5	9.1
76	CBBB000032	CBBB000012	76.1	800	200	1.5	15.2
76	CBBB000037	CBBB000017	76.1	1000	200	1.5	18.2
89	CBBB000018	CBBB000003	88.9	250	200	1.5	5.4
89	CBBB000028	CBBB000008	88.9	500	200	1.5	10.7
89	CBBB000033	CBBB000013	88.9	800	200	1.5	17.8
89	CBBB000038	CBBB000018	88.9	1000	200	1.5	21.4
102	CBBB000019	CBBB000004	101.6	150	200	2.0	6.0
102	CBBB000029	CBBB000009	101.6	500	200	2.0	12.0
102	CBBB000034	CBBB000014	101.6	800	200	2.0	20.0
102	CBBB000039	CBBB000019	101.6	1000	200	2.0	24.0