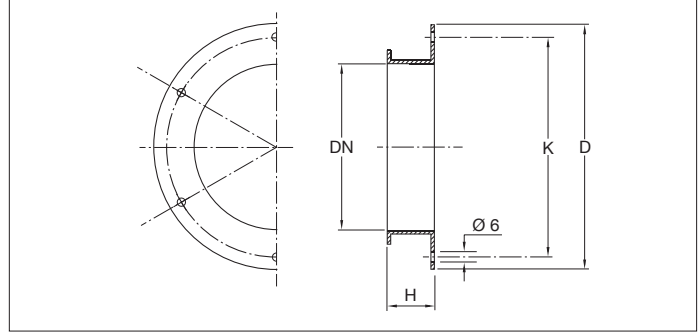


BAZK Connection stubs



BAZK Connection stubs

Full welded connection stubs with welded flange designed for the transition between different ducting elements or machinery.

These connection stubs are suitable for the transport of waste materials such as dust and chips but also for the transport of grains and such.

Material

2.00 mm black steel 1.0330 powder coated in RAL 7032. Electrostatically conductive and food-safe powder coating thickness of 30 to 60 µm. Temperature resistance up to +80°C.

Type

Rolled sheets with 6 mm edge for lock rings and flange.

Options

- FDA and EU compliant food-grade quality
- hot-dipped galvanized or stainless steel execution
- wear resistant lining as of Ø150 (83° Shore)
- equipotential equalization
- other colors
- other diameters or dimensions
- other sheet thicknesses, depending on length and diameter
- other types of edges or connections

Ø d mm	Code	D mm	K mm	H mm	s mm	Weight kg
100	BAZK000009	150	130	28	2.00	0.32
120	BAZK000010	170	150	28	2.00	0.35
150	BAZK000011	200	180	36	2.00	0.53
175	BAZK000012	225	205	40	2.00	0.60
200	BAZK000013	250	230	40	2.00	0.74
250	BAZK000014	300	280	46	2.00	0.98
300	BAZK000015	350	330	50	2.00	1.25