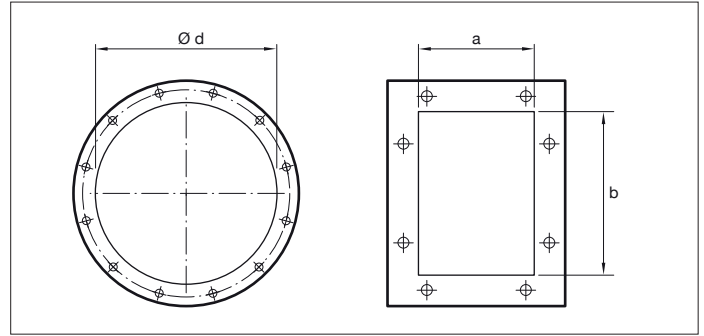
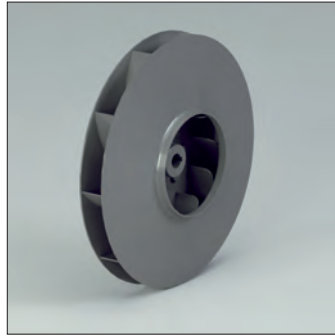
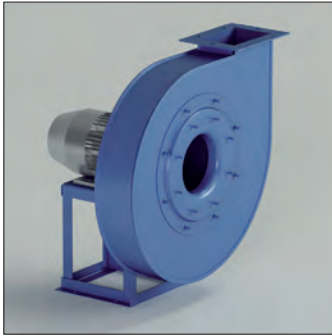


**VM - VM/T**



**VM - VM/T**

Direct and indirect driven centrifugal fans.

Impeller with negative (backwards curved) blades.

**Application**

For the transport of clean air.

**Application area**

Low-medium air volume, high pressures.

**Technical specifications:**

Air volume: 360 up to 110.000 m<sup>3</sup>/h

Total pressure: 100 up to 2.200 daPa.

Model	Installed power (kW)	Axle height mm	Poles	Inlet $\varnothing$ d mm	Outlet dimensions a x b mm	Inspection door	Welding fan housing
VM350/N2R	0.75	80	2	180	105 x 146	Optional	Optional
VM350/N2	1.1	80	2	180	105 x 146	Optional	Optional
VM400/N2R	1.5	90	2	200	117 x 166	Optional	Optional
VM400/N2	2.2	90	2	200	117 x 166	Optional	Optional
VM450/N2R	3	100	2	225	131 x 185	Optional	Optional
VM450/N2	4	112	2	225	131 x 185	Optional	Optional
VM500/N2R	4	112	2	250	148 x 207	Optional	Optional
VM500/N2	5.5	132	2	250	148 x 207	Optional	Optional
VM560/N2R	7.5	132	2	275	166 x 231	Optional	Optional
VM560/N2	11	160	2	275	166 x 231	Optional	Optional
VM630/N2R	15	160	2	325	185 x 258	Optional	Optional
VM630/N2	18.5	160	2	325	185 x 258	Optional	Optional
VM710/N2R	22	180	2	350	205 x 288	Optional	Included
VM710/N2	30	200	2	350	205 x 288	Optional	Included
VM710/N2	37	200	2	350	205 x 288	Optional	Included
VM800/N2R	45	225	2	400	229 x 322	Optional	Included
VM800/N2	55	250	2	400	229 x 322	Optional	Included
VM800/N2	75	280	2	400	229 x 322	Optional	Included
VM900/N2R	75	280	2	450	256 x 361	Optional	Included
VM900/N2	90	280	2	450	256 x 361	Optional	Included
VM900/N2	110	315	2	450	256 x 361	Optional	Included
VM1000/N2R	110	315	2	500	288 x 404	Optional	Included
VM1000/N2R	132	315	2	500	288 x 404	Optional	Included
VM1000/N2	160	315	2	500	288 x 404	Optional	Included
VM1000/N2	200	315	2	500	288 x 404	Optional	Included
VM710/N4R	4	112	4	350	205 x 288	Optional	Included
VM710/N4	5.5	132	4	350	205 x 288	Optional	Included
VM800/N4R	7.5	132	4	400	229 x 322	Optional	Included
VM800/N4	11	160	4	400	229 x 322	Optional	Included
VM900/N4R	11	160	4	450	256 x 361	Optional	Included
VM900/N4	15	160	4	450	256 x 361	Optional	Included
VM1000/N4R	18.5	180	4	500	288 x 404	Optional	Included
VM1000/N4	22	180	4	500	288 x 404	Optional	Included

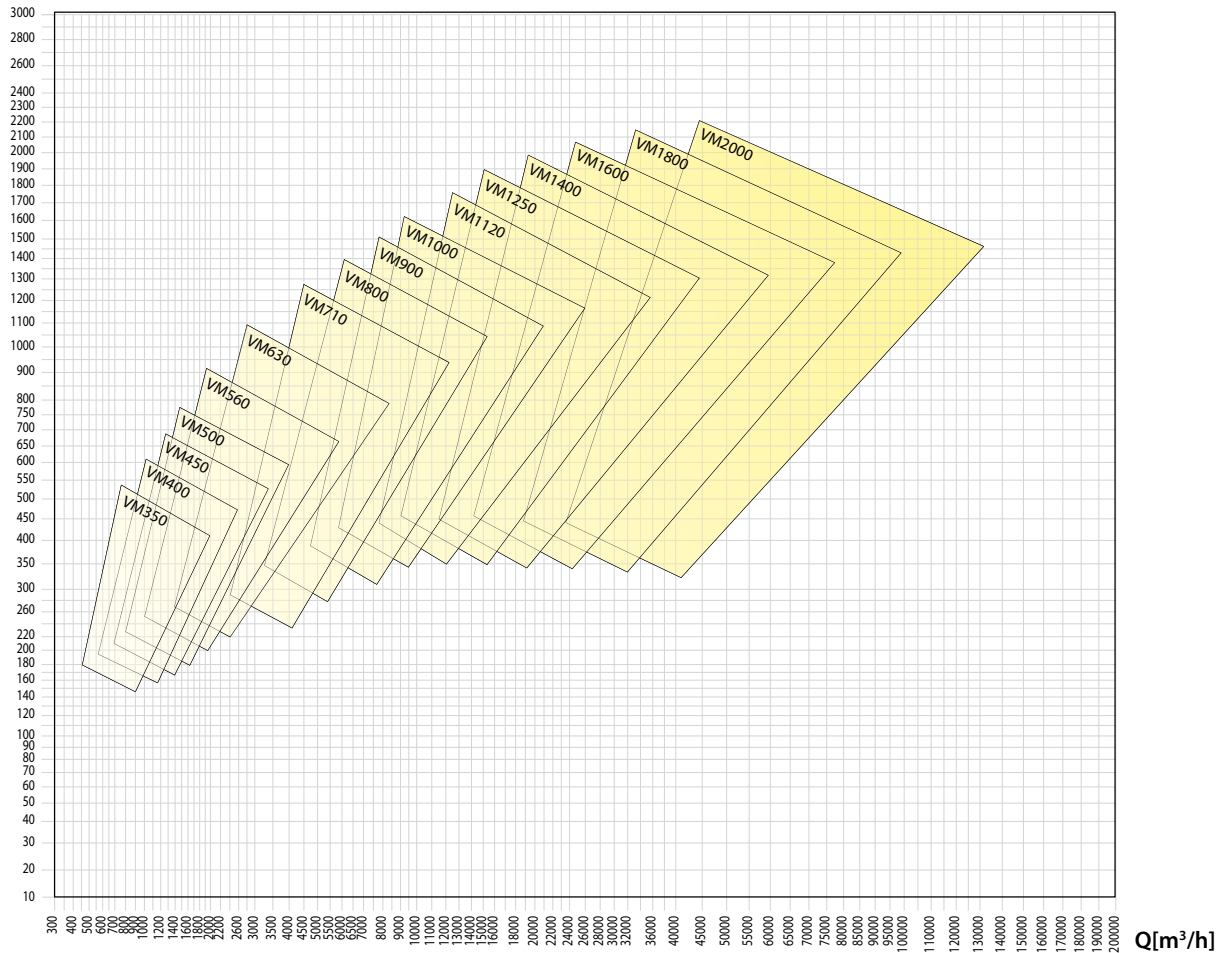
**VM - VM/T**

•Size	• Max rpm		
	CLASSE I	CLASSE II	CLASSE III
VM350/R	5000		
VM350	5000		
VM400/R	5000		
VM400	5000		
VM450/R	5000		
VM450	5000		
VM500/R	4750		
VM500	4500	5000	
VM560/R	4250	4750	
VM560	4000	4500	
VM630/R	3850	4150	4500
VM630	3700	3900	4250
VM710/R	3550	3850	4150
VM710	3400	3700	4000
VM800/R	3250	3550	3850
VM800	3000	3300	3600
VM900/R	2900	3200	3500
VM900	3000	3250	3450
VM1000/R	2900	3150	3350
VM1000	3000	3150	3350
VM1120	2700	2900	3100
VM1250	2400	2600	2800
VM1400	2100	2300	2450
VM1600	1850	2000	2100
VM1800	1650	1750	1850
VM2000	1450	1550	1650

• Values valid up to 60°C

• between	60°C	• and	100°C	• degrade speed	4%
	100°C		150°C		10%
	150°C		200°C		16%
	200°C		250°C		23%
	250°C		300°C		30%
	300°C		350°C		37%
	350°C		400°C		45%
	400°C		450°C		54%
	450°C		500°C		64%

pt [mmH<sub>2</sub>O]



FAT07.FM.2014V2.DUK

**VM - VM/T**

## DELIVERY CHARACTERISTICS

 •Load tolerance  $\pm 5\%$ 

• Fan	• Motor	P inst. [kW]	n	LpA [dB(A)]	Q [m <sup>3</sup> /h]																
					360	400	430	470	540	650	720	790	865	935	1080	1225	1370	1440	1620	1800	
VM350/N2R	80	0,75	2840	60	186	185	184	183	181	174	170	160	152	140							
VM350/N2	80	1,1	2845	61	216	216	216	215	214	210	206	202	198	194	180	160	145	130			
VM400/N2R	90	1,5	2860	63					246	243	241	239	235	230	222	211	195	185	170		
VM400/N2	90	2,2	2920	67					298	297	296	296	295	288	277	271	267	250	235		
VM450/N2R	100	3	2920	67						320	322	320	319	318	312	306	300	290	275		
VM450/N2	112	4	2920	70							380	381	380	379	377	371	367	363	352		
VM500/N2R	112	4	2920	70											410	410	408	406	404	390	
VM500/N2	132	5,5	2920	70												462	465	467	466		
VM560/N2R	132	7,5	2940	74														545	545	543	
VM560/N2	160	11	2940	75															612	612	610
VM630/N2R	160	15	2940	76																680	
VM630/N2	160	18,5	2940	76																	
VM710/N2R	180	22	2940	77																	
VM710/N2	200	30	2945	78																	
VM710/N2	200	37	2945	78																	
VM800/N2R	225	45	2945	80																	
VM800/N2	250	55	2960	81																	
VM800/N2	280	75	2960	81																	
VM900/N2R	280	75	2960	81																	
VM900/N2	280	90	2960	82																	
VM900/N2	315	110	2960	84																	
VM1000/N2R	315	110	2960	82																	
VM1000/N2R	315	132	2960	84																	
VM1000/N2	315	160	2960	87																	
VM1000/N2	315	200	2960	88																	
VM710/N4R	112	4	1440	64																213	
VM710/N4	132	5,5	1455	65																246	
VM800/N4R	132	7,5	1455	67																	
VM800/N4	160	11	1460	68																	
VM900/N4R	160	11	1460	70																	
VM900/N4	160	15	1460	71																	
VM1000/N4R	180	18,5	1460	72																	
VM1000/N4	180	22	1465	74																	



**VM - VM/T**

## SUCTION CHARACTERISTICS

 •Load tolerance  $\pm 5\%$ 

• Fan	• Motor	P inst. [kW]	n	LpA [dB(A)]	Q [m <sup>3</sup> /h]															
					360	400	430	470	540	650	720	790	865	935	1080	1225	1370	1440	1620	1800
VM350/N2R	80	0,75	2840	60	181	180	178	177	174	166	160	149	140	126						
VM350/N2	80	1,1	2845	61	210	209	209	208	206	200	195	190	184	179	162	138	118	101		
VM400/N2R	90	1,5	2860	63					238	234	231	229	224	218	208	195	177	165	146	
VM400/N2	90	2,2	2920	67					286	285	283	282	280	271	258	250	244	224	204	
VM450/N2R	100		2920	67						308	309	307	305	303	296	288	281	269	252	
VM450/N2	112		2920	68							364	364	362	360	357	349	345	338	325	
VM500/N2R	112		2920	69											391	390	387	385	381	366
VM500/N2	132	5,5	2920	70											438	440	441	438	432	
VM560/N2R	132	7,5	2940	73														514	513	510
VM560/N2	160	11	2940	73														574	573	570
VM630/N2R	160	15	2940	74																634
VM630/N2	160	18,5	2940	75																
VM710/N2R	180	22	2940	76																
VM710/N2	200	30	2945	77																
VM710/N2	200	37	2945	77																
VM800/N2R	225	45	2945	78																
VM800/N2	250	55	2960	79																
VM800/N2	280	75	2960	80																
VM900/N2R	280	75	2960	80																
VM900/N2	280	90	2960	81																
VM900/N2	315	110	2960	83																
VM1000/N2R	315	110	2960	82																
VM1000/N2R	315	132	2960	83																
VM1000/N2	315	160	2960	85																
VM1000/N2	315	200	2960	86																
VM710/N4R	112		1440	64																206
VM710/N4	132	5,5	1455	65																238
VM800/N4R	132	7,5	1455	67																
VM800/N4	160	11	1460	68																
VM900/N4R	160	11	1460	70																
VM900/N4	160	15	1460	71																
VM1000/N4R	180	18,5	1460	72																
VM1000/N4	180	22	1465	74																

**VM - VM/T**

 •Noise tolerance  $\pm 4dB(A)$ 

Q [m <sup>3</sup> /h]																						
2160	2520	2880	3240	3600	3960	4320	4680	5400	6120	7200	7920	9000	10080	10800	12600	14400	16200	18000	19800	21600	29000	33000
pt[mmH <sub>2</sub> O]																						
155																						
221	179																					
303	265	224																				
351	320	291	247																			
417	399	368	341	306																		
504	493	480	454	432	414	378	335															
563	551	536	522	508	490	466	433	349														
631	626	620	610	599	585	568	549	506	455	349												
720	714	708	701	694	686	674	661	632	591	520	434											
		822	814	808	801	793	785	773	754	700	670	599										
			911	905	899	893	883	869	836	805	757											
				905	899	893	883	869	836	805	757	698	651									
				1016	1014	1009	1003	994	963	950	921	887	850	749	642							
						1150	1143	1135	1117	1101	1077	1052	1029	986								
						1150	1143	1135	1117	1101	1077	1052	1029	986	868	756						
							1272	1266	1258	1248	1232	1219	1207	1168	1111	1044	977					
									1399	1389	1381	1368	1357	1339	1304	1251	1188					
									1399	1389	1381	1368	1357	1339	1304	1251	1188	1109	1044			
										1546	1540	1533	1524	1504	1478	1448	1413					
										1546	1540	1533	1524	1504	1478	1448	1413	1373	1308			
												1677	1668	1655	1634	1613	1586	1555	1522			
													1677	1668	1655	1634	1613	1586	1555	1522	1280	1111
204	198	194	190	180	171	156	141															
234	232	228	222	214	206	197	186	165														
264	262	259	256	251	246	240	232	215	195													
	302	300	297	294	290	285	280	268	257	223	196											
		340	339	337	335	332	329	320	312	292	279	249	227									
			382	379	377	375	373	366	357	344	331	307	284	265								
				424	423	420	416	411	404	392	378	362	348	310								
					468	462	456	448	441	433	424	416	389	360								

The A-weighted sound power level, LpA (Chap.13), is the value measured in test conditions at the point of maximum noise level.