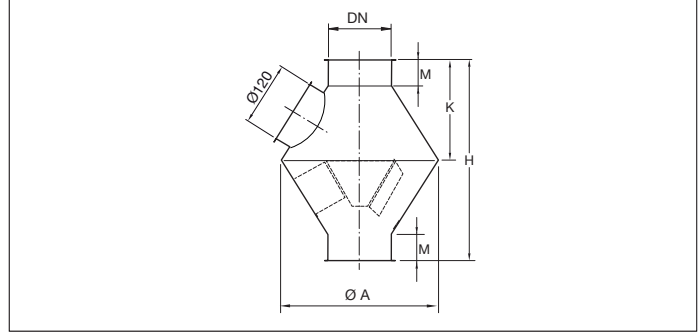


BADM Baffle pots



BADM Baffle pots

Full welded baffle pots with a sheet thickness of 2.00 mm designed to slow down the falling material with integrated inspection door.

The baffle plates on the inside and lower half of the baffle pot can be lined with polyurethane liner 83° shore to ensure longevity of the product and to reduce the noise level.

These baffle pots are suitable for the transport of waste materials such as dust and chips but also for the transport of grains and such.

Material

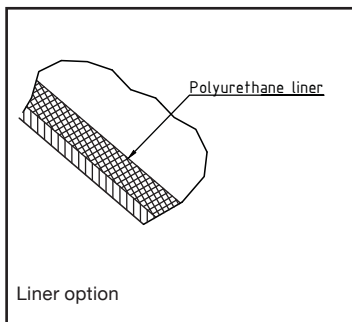
2.00 mm black steel 1.0330 powder coated in RAL 7032.

Type

Rolled sheets with 6 mm edges for lock rings.

Options

- FDA and EU compliant food-grade quality
- hot-dipped galvanized or stainless steel execution
- wear resistant lining (83° Shore)
- equipotential equalization
- other colors
- other diameters
- other types of edges or connections



Ø d mm	Code		Ø A mm	H mm	K mm	M mm	s mm	Weight kg
	w/o. liner	w. liner						
120	BADM000001	BADM000007	300	380	190	50	2.00	5.00
150	BADM000002	BADM000008	350	400	200	50	2.00	8.00
200	BADM000003	BADM000009	400	480	240	80	2.00	10.00
250	BADM000004	BADM000010	500	600	300	80	2.00	15.00
300	BADM000005	BADM000011	600	720	360	80	2.00	20.00
350	BADM000006	BADM000012	700	800	400	80	2.00	25.00