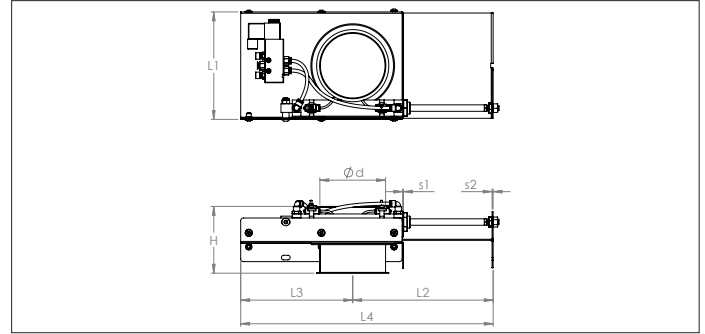
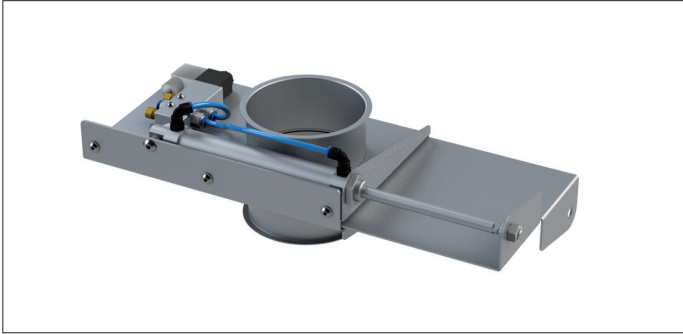


**AADA Pneumatic sliding dampers**



**AADA Pneumatic sliding dampers**

The AADA sliding dampers are activated by pneumatic cylinders and monostable solenoid valve, the airtightness is achieved up to Ø 200 mm with two gaskets sets (EPDM and PEHD) but with only one plastic gasket set as of Ø 225 mm. The plastic seal can be replaced by Teflon depending on the temperature.

The use of the AADA pneumatic sliding dampers in under-pressure and pressureless systems optimizes the installation and allows that only the machines needed are used and for lower running costs.

**Material**

Electro-galvanized blacksteel (10µm) with EPDM and PEHD seals.

**Type**

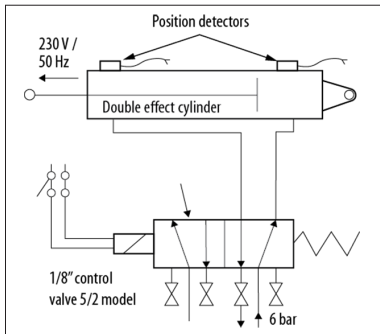
Rolled, folded and welded sheets with 6 mm edges for lock rings.  
Ø 80 up to Ø 160 mm : 1 cylinder.  
Ø 180 up to Ø 500 mm : 2 cylinders.

**Options**

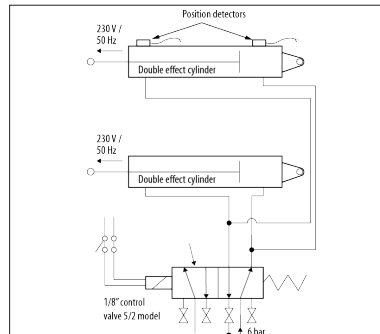
- Teflon instead of plastic gaskets
- cover house
- reed contacts (5/250 V AC- DC - IP 67)
- other types of solenoid valves (bistable, manual, ATEX)
- double pneumatic cylinders (Ø 80 up to Ø 160 mm)
- other types of cylinders (high temperature, ATEX)

**! Please state the voltage when ordering:  
24 V AC, 24 V DC, 220 V AC.**

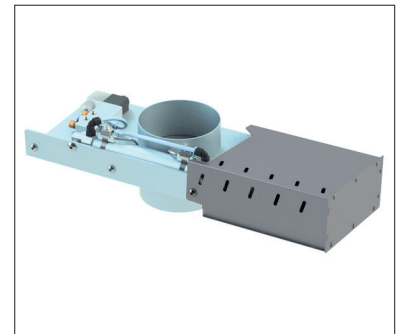
**! Max. air pressure in solenoid valve : 8 Bar  
Use only oil free dry air**



Connection of a linear pneumatic cylinder for pneumatic sliding dampers diameter Ø 80 up to Ø 160 mm.



Connection of two linear pneumatic cylinders for pneumatic sliding damper diameter as of Ø 180 mm.



Pneumatic sliding damper cover house option.

Ø	Code	L1 mm	L2 mm	L3 mm	L4 mm	H mm	S1 mm	S2 mm	Weight kg
80	AADA000168	157	195	150	345	125	1.5	2.0	2.60
100	AADA000139	177	225	180	405	125	1.5	2.0	3.30
120	AADA000170	200	264	217	482	125	1.5	2.0	3.90
125	AADA000171	200	264	217	482	125	1.5	2.0	4.20
140	AADA000172	225	300	255	555	125	1.5	2.0	4.80
150	AADA000173	225	300	255	555	125	1.5	2.0	4.80
160	AADA000174	235	314	270	584	125	1.5	2.0	5.10
180	AADA000175	276	378	330	708	125	1.5	2.0	6.90
200	AADA000176	276	378	330	708	125	1.5	2.0	7.10
225	AADA000177	345	452	405	857	165	2.0	3.0	13.30
250	AADA000178	370	454	405	859	165	2.0	3.0	13.30
275	AADA000179	421	546	513	1058	165	2.0	3.0	19.70
300	AADA000181	421	546	513	1058	165	2.0	3.0	20.60
315	AADA000182	436	546	513	1058	165	2.0	3.0	20.60
350	AADA000183	473	607	635	1162	165	2.0	3.0	27.90
400	AADA000184	521	682	635	1316	165	2.0	3.0	40.90
450	AADA000185	622	770	721	1491	224	3.0	4.0	59.50
500	AADA000186	672	845	790	1635	224	3.0	4.0	67.80