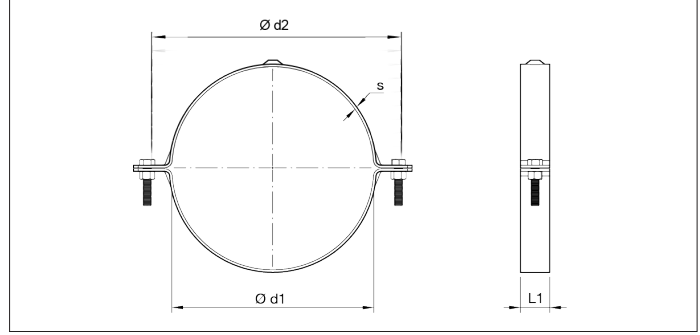


Mounting brackets GAEA



Mounting brackets GAEA

For the suspension of ducting on an existing structure. Delivered with 2x M8x40 bolts for assembly.

Can be mounted on a threaded rod (GAZF) by means of a connection muff (see GAZD).

Material

Galvanized steel

Options

- Reinforced RAL painted execution
- Other diameters



\varnothing	Code	L mm	s mm	Weight kg
80	GAEA000001	28	2.5	0.20
100	GAEA000002	28	2.5	0.24
120	GAEA000003	28	2.5	0.28
125	GAEA000029	28	2.5	0.29
140	GAEA000004	28	2.5	0.32
150	GAEA000005	28	2.5	0.34
160	GAEA000006	28	2.5	0.35
180	GAEA000007	28	2.5	0.38
200	GAEA000008	28	2.5	0.42
225	GAEA000009	28	2.5	0.46
250	GAEA000010	28	2.5	0.49
275	GAEA000011	28	2.5	0.52
300	GAEA000012	28	2.5	0.56
315	GAEA000013	28	2.5	0.58
350	GAEA000014	40	3.0	1.15
400	GAEA000015	40	3.0	1.31
450	GAEA000016	40	3.0	1.47
500	GAEA000017	40	3.0	1.61
550	GAEA000018	40	3.0	1.76
600	GAEA000019	40	3.0	1.89
630	GAEA000020	40	3.0	1.97
650	GAEA000021	40	3.0	2.04
700	GAEA000022	40	3.0	2.20
750	GAEA000023	40	3.0	2.37
800	GAEA000024	40	3.0	2.53
850	GAEA000025	40	3.0	2.69
900	GAEA000026	40	3.0	2.86
950	GAEA000027	40	3.0	3.03
1000	GAEA000028	40	3.0	3.19