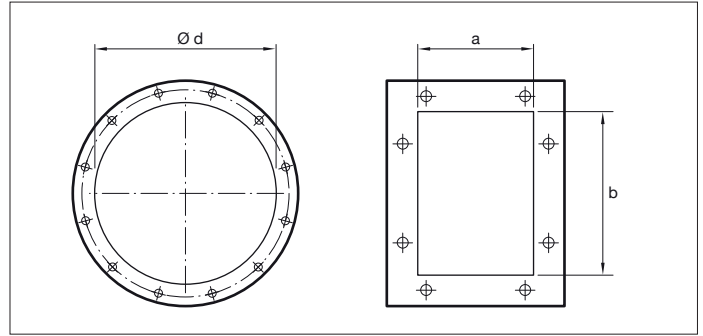
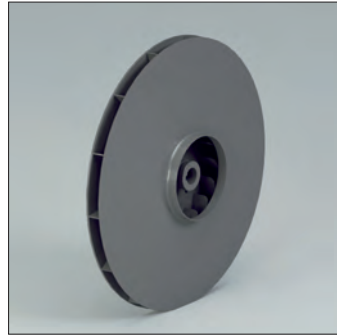
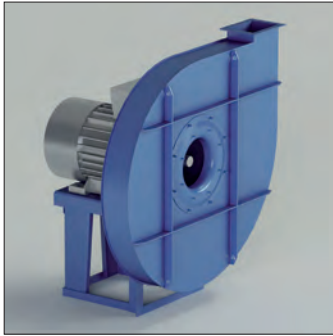


VP-P - VP-P/T



VP-P - VP-P/T

Direct and indirect driven centrifugal fans.
Impeller with positive (forward curved) blades.

Application

For the transport of clean air.

Application area

Low air volumes, high pressures.

Technical specifications:

Air volume: 140 up to 7.200 m³/h
Total pressure: 100 up to 2.000 daPa.

Model	Installed power (kW)	Axle height mm	Poles	Inlet $\varnothing d$ mm	Outlet dimensions a x b mm	Inspection door	Welding fan housing
VP400/P2	0.75	80	2	140	76 x 105	Optional	Optional
VP400/P2	1.1	80	2	140	76 x 105	Optional	Optional
VP450/P2	1.5	90	2	160	85 x 117	Optional	Optional
VP450/P2	2.2	90	2	160	85 x 117	Optional	Optional
VP500/P2R	2.2	90	2	180	95 x 131	Optional	Optional
VP500/P2R	3	100	2	180	95 x 131	Optional	Optional
VP500/P2	3	100	2	180	95 x 131	Optional	Optional
VP500/P2	4	112	2	180	95 x 131	Optional	Optional
VP560/P2R	4	112	2	200	105 x 146	Optional	Optional
VP560/P2R	5.5	132	2	200	105 x 146	Optional	Optional
VP560/P2	5.5	132	2	200	105 x 146	Optional	Optional
VP560/P2	7.5	132	2	200	105 x 146	Optional	Optional
VP630/P2R	5.5	132	2	225	117 x 166	Optional	Optional
VP630/P2R	7.5	132	2	225	117 x 166	Optional	Optional
VP630/P2	7.5	132	2	225	117 x 166	Optional	Optional
VP630/P2	11	160	2	225	117 x 166	Optional	Optional
VP710/P2R	11	160	2	250	131 x 185	Optional	Included
VP710/P2R	15	160	2	250	131 x 185	Optional	Included
VP710/P2	15	160	2	250	131 x 185	Optional	Included
VP710/P2	18.5	160	2	250	131 x 185	Optional	Included
VP710/P2	22	180	2	250	131 x 185	Optional	Included
VP800/P2R	22	180	2	285	148 x 207	Optional	Included
VP800/P2R	30	200	2	285	148 x 207	Optional	Included
VP800/P2	30	200	2	285	148 x 207	Optional	Included
VP800/P2	37	200	2	285	148 x 207	Optional	Included
VP900/P2R	37	200	2	320	166 x 231	Optional	Included
VP900/P2R	45	225	2	320	166 x 231	Optional	Included
VP900/P2R	55	250	2	320	166 x 231	Optional	Included
VP900/P2	55	250	2	320	166 x 231	Optional	Included
VP900/P2	75	280	2	320	166 x 231	Optional	Included

VP-P - VP-P/T

DELIVERY CHARACTERISTICS

•Load tolerance ±5%

• Fan	• Motor	P inst. [kW]	n	LpA [dB(A)]	Q [m³/h]													
					216	252	288	324	360	400	430	470	540	650	720	790	865	
VP400/P2	80	0,75	2845	64	304	310	315	320	323	326	327	328	327					
VP400/P2	80	1,1	2845	65	304	310	315	320	323	326	327	328	327	317	306	292		
VP450/P2	90	1,5	2900	68			397	403	408	414	418	422	428	433	433	431	427	
VP450/P2	90	2,2	2920	69			401	407	412	418	422	426	432	437	437	435	431	
VP500/P2R	90	2,2	2920	70					443	449	453	458	465	473	476	477	476	
VP500/P2R	100	3	2920	71					443	449	453	458	465	473	476	477	476	
VP500/P2	100	3	2920	71						495	500	506	515	527	532	536	540	
VP500/P2	112	4	2950	72						505	510	516	525	537	542	546	550	
VP560/P2R	112	4	2950	73								567	577	590	598	604	610	
VP560/P2R	132	5,5	2950	74								567	577	590	598	604	610	
VP560/P2	132	5,5	2950	75										646	654	662	669	
VP560/P2	132	7,5	2950	76										646	654	662	669	
VP630/P2R	132	5,5	2950	75												720	729	
VP630/P2R	132	7,5	2950	76												720	729	
VP630/P2	132	7,5	2950	75														
VP630/P2	160	11	2950	77														
VP710/P2R	160	11	2950	77														
VP710/P2R	160	15	2950	78														
VP710/P2	160	15	2950	79														
VP710/P2	160	18,5	2960	81														
VP710/P2	180	22	2960	81														
VP800/P2R	180	22	2960	80														
VP800/P2R	200	30	2960	81														
VP800/P2	200	30	2960	81														
VP800/P2	200	37	2960	84														
VP900/P2R	200	37	2960	81														
VP900/P2R	225	45	2960	85														
VP900/P2R	250	55	2960	85														
VP900/P2	250	55	2960	87														
VP900/P2	280	75	2970	87														

VP-P - VP-P/T

 •Noise tolerance $\pm 4\text{dB}(A)$

																		Q [m ³ /h]										
935	1080	1225	1370	1440	1620	1800	2160	2520	2880	3240	3600	3960	4320	4680	5400	6120	7200	8280	9400									
																		pt[mmH ₂ O]										
420																												
424	403																											
473	461																											
473	461	441	412																									
541	539	531	516	506																								
551	549	541	526	516	486																							
614	619	619	614	609	593																							
614	619	619	614	609	593	569																						
675	684	690	691	691	685	673																						
675	684	690	691	691	685	673	629																					
736	748	757	764	766	767	764																						
736	748	757	764	766	767	764	742	699																				
818	833	846	857	861	869	874	872																					
818	833	846	857	861	869	874	872	854	821	772																		
921	936	949	954	967	977	988	988	975																				
921	936	949	954	967	977	988	988	975	950	913	862																	
				1043	1065	1079	1099	1110	1112	1104	1087																	
				1049	1071	1085	1105	1116	1118	1110	1093	1066	1030															
				1049	1071	1085	1105	1116	1118	1110	1093	1066	1030	983														
						1240	1260	1273	1282	1278	1274	1257	1239															
						1240	1260	1273	1282	1278	1274	1257	1239	1162														
						1349	1374	1394	1408	1417	1420	1418	1409	1373														
						1349	1374	1394	1408	1417	1420	1418	1409	1373	1314	1176												
								1517	1542	1563	1580	1592	1600	1603	1596	1570												
								1517	1542	1563	1580	1592	1600	1603	1596	1570	1496											
								1517	1542	1563	1580	1592	1600	1603	1596	1570	1496	1377										
										1692	1718	1740	1758	1773	1785	1797	1794	1763	1698									
										1698	1724	1746	1764	1779	1791	1803	1800	1769	1704	1600								

The A-weighted sound power level, LpA (Chap.13), is the value measured in test conditions at the point of maximum noise level.

VP-P - VP-P/T

SUCTION CHARACTERISTICS

•Load tolerance ±5%

• Fan	• Motor	P inst. [kW]	n	LpA [dB(A)]	Q [m ³ /h]													
					216	252	288	324	360	400	430	470	540	650	720	790	865	
VP400/P2	80	0,75	2845	64	293	298	301	305	306	307	307	306	301					
VP400/P2	80	1,1	2845	65	293	298	301	305	306	307	307	306	301	285	269	250		
VP450/P2	90	1,5	2900	68			379	384	388	393	395	398	401	401	398	392	384	
VP450/P2	90	2,2	2920	69			383	388	392	396	399	402	405	405	401	396	388	
VP500/P2R	90	2,2	2920	70					422	427	430	434	439	443	444	442	439	
VP500/P2R	100	3	2920	71					422	427	430	434	439	443	444	442	439	
VP500/P2	100	3	2920	71						469	473	478	484	492	495	496	497	
VP500/P2	112	4	2950	72						478	482	487	493	501	504	505	506	
VP560/P2R	112	4	2950	73								534	542	552	558	562	566	
VP560/P2R	132	5,5	2950	74										552	558	562	566	
VP560/P2	132	5,5	2950	75											602	608	614	618
VP560/P2	132	7,5	2950	76											602	608	614	618
VP630/P2R	132	5,5	2950	75													668	675
VP630/P2R	132	7,5	2950	76													668	675
VP630/P2	132	7,5	2950	75														
VP630/P2	160	11	2950	77														
VP710/P2R	160	11	2950	77														
VP710/P2R	160	15	2950	78														
VP710/P2	160	15	2950	79														
VP710/P2	160	18,5	2960	81														
VP710/P2	180	22	2960	81														
VP800/P2R	180	22	2960	80														
VP800/P2R	200	30	2960	81														
VP800/P2	200	30	2960	81														
VP800/P2	200	37	2960	84														
VP900/P2R	200	37	2960	81														
VP900/P2R	225	45	2960	85														
VP900/P2R	250	55	2960	85														
VP900/P2	250	55	2960	87														
VP900/P2	280	75	2970	87														

VP-P - VP-P/T
•Noise tolerance $\pm 4dB(A)$

																		Q [m ³ /h]	
935	1080	1225	1370	1440	1620	1800	2160	2520	2880	3240	3600	3960	4320	4680	5400	6120	7200	8280	9400
																		pt[mmH ₂ O]	
373																			
377	347																		
433	416																		
433	416	390	354																
495	487	473	451	437															
504	496	482	460	446	407														
567	568	563	553	546	524														
567	568	563	553	546	524	494													
622	626	626	622	619	606	587													
622	626	626	622	619	606	587	528												
680	688	693	696	696	692	685													
680	688	693	696	696	692	685	654	601											
751	761	770	776	778	781	780	767												
751	761	770	776	778	781	780	767	737	693	631									
		851	860	863	871	876	878	870	849										
		851	860	863	871	876	878	870	849	817	772	714							
			937	953	961	971	971	963	946	920									
			942	958	966	976	976	968	951	925	888	843							
			942	958	966	976	976	968	951	925	888	843	786						
						1094	1105	1109	1110	1100	1088	1066	1042						
						1094	1105	1109	1110	1100	1088	1066	1042	956					
						1180	1195	1205	1210	1210	1204	1194	1178	1128					
						1180	1195	1205	1210	1210	1204	1194	1178	1128	1056	898			
							1312	1327	1339	1348	1352	1353	1350	1332	1297				
							1312	1327	1339	1348	1352	1353	1350	1332	1297	1214			
							1312	1327	1339	1348	1352	1353	1350	1332	1297	1214	1088		
								1440	1456	1468	1476	1482	1486	1483	1466	1419	1341		
								1444	1460	1472	1481	1487	1490	1487	1471	1423	1345	1229	

The A-weighted sound power level, LpA (Chap.13), is the value measured in test conditions at the point of maximum noise level.

VP-P - VP-P/T

•Size	• Max rpm		
	CLASSE I	CLASSE II	CLASSE III
VP400	5000		
VP450/R	5000		
VP450	5000		
VP500	5000		
VP560/R	5000		
VP560	4700	5000	
VP630/R	4400	4850	
VP630	4100	4550	5000
VP710/R	3700	4100	4500
VP710	3550	3850	4250
VP800/R	3400	3700	4000
VP800	3250	3550	3850
VP900/R	3100	3400	3700
VP900	2950	3250	3550

• Values valid up to 60°C

• between	60°C	• and	100°C	• degrade speed	4%
	100°C		150°C		10%
	150°C		200°C		16%
	200°C		250°C		23%
	250°C		300°C		30%
	300°C		350°C		37%
	350°C		400°C		45%
	400°C		450°C		54%
	450°C		500°C		64%

pt [mmH₂O]

