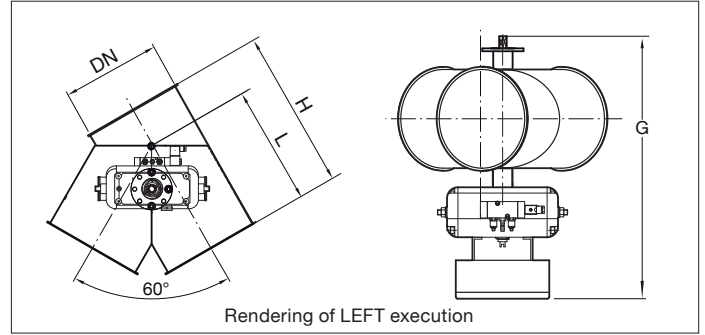


**BAHJ Pneumatic branch diverters 60°**

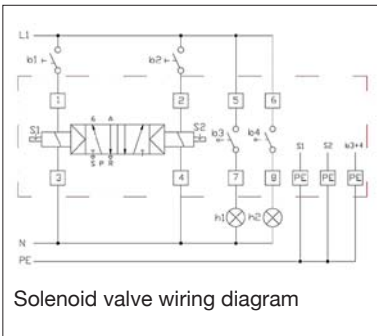


**BAHJ Pneumatic branch diverters 60°**

Full welded round pneumatic branch diverter with interior collar for bulk transport to silos, containers and such.

The change in direction of the material is operated by a pneumatic rotating actuator connected to a bistable 5/2 solenoid valve, 24V DC with limit switches. The inner plate is mounted on two ball bearings for smooth running.

These diverters are designed to be used for falling material and light pneumatic transport (for example wood chips, polystyrene, etc.) in vertical ducting and exist with or without silicone seal in a right or left execution (to specify when ordering).



**Material**

2.00 mm powder coated black steel in RAL 7032. Electrostatically conductive and food-safe powder coating thickness of 30 to 60 µm. Temperature resistance up to +80°C.

**Type**

Rolled and welded plates with 6 mm edges for lock rings.

**Options**

- FDA and EU compliant food-grade quality
- with other seal material
- stainless steel execution
- equipotential equalization or ATEX
- 230V AC solenoid valve
- other colors
- 3 mm sheet thicknesses, depending on material and diameter
- other types of edges or connections

**!** Max. air pressure in solenoid valve : 8 Bar.

Diverter without seal

Ø d mm	Code		G mm	H mm	L mm	Thickness mm	Weight kg
	Left	Right					
100	BAHJ000017	BAHJ000002	439	175	120	2.00	12.00
120	BAHJ000018	BAHJ000003	461	215	150	2.00	13.00
150	BAHJ000019	BAHJ000004	485	255	200	2.00	16.00
175	BAHJ000020	BAHJ000005	520	315	225	2.00	19.00
200	BAHJ000021	BAHJ000006	531	330	245	2.00	22.00
250	BAHJ000022	BAHJ000007	584	425	290	2.00	28.00
300	BAHJ000023	BAHJ000008	646	500	355	2.00	34.00
350	BAHJ000024	BAHJ000009	696	600	375	2.00	40.00

Diverter with seal

Ø d mm	Code		G mm	H mm	L mm	Thickness mm	Weight kg
	Left	Right					
100	BAHJ000061	BAHJ000077	455	200	135	2.00	12.00
120	BAHJ000062	BAHJ000078	475	230	160	2.00	13.00
150	BAHJ000063	BAHJ000079	505	300	200	2.00	16.00
175	BAHJ000064	BAHJ000080	530	308	218	2.00	19.00
200	BAHJ000065	BAHJ000081	575	410	265	2.00	22.00
250	BAHJ000066	BAHJ000082	625	460	305	2.00	28.00
300	BAHJ000067	BAHJ000083	685	575	385	2.00	34.00
350	BAHJ000068	BAHJ000084	735	670	520	2.00	40.00
400	BAHJ000069	BAHJ000085	785	750	580	2.00	52.00