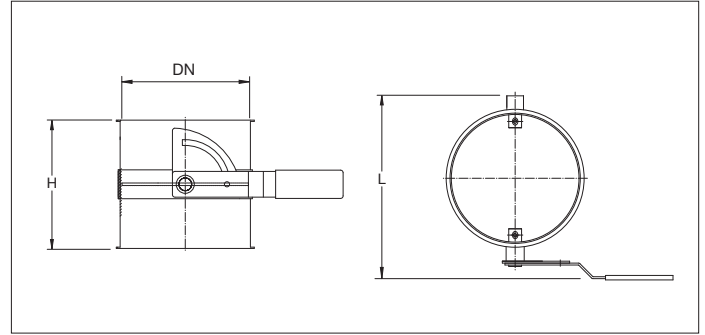


BADJ Manual throttle valves with seal



BADJ Manual throttle valves with seal

Full welded manual throttle valves with integrated silicone seal in the body to regulate or stop the airflow in an installation.

The throttle valve blade is locked in a desired position by tightening the butterfly nut on the handle.

Material

2.00 mm black steel 1.0330 powder coated in RAL 7032. Electrostatically conductive and food-safe powder coating thickness of 30 to 60 µm. Temperature resistance up to +80°C. With integrated silicone seal.

Type

Rolled sheets with 6 mm edges for lock rings.

Options

- FDA and EU compliant food-grade quality
- other seals (NBR or EPDM)
- stainless steel execution
- wear resistant lining as of Ø150 (83° Shore)
- equipotential equalization
- other colors
- other diameters
- other sheet thicknesses depending on diameter
- other types of edges or connections



Detail of butterfly nut locking

Ø d mm	Code	L mm	H mm	s mm	Weight kg
100	BADJ000039	200	100	2.00	1.23
120	BADJ000040	220	120	2.00	1.50
140	BADJ000041	235	140	2.00	1.83
150	BADJ000042	250	150	2.00	2.01
160	BADJ000043	260	160	2.00	2.21
175	BADJ000044	275	175	2.00	2.52
200	BADJ000045	300	200	2.00	3.11
224	BADJ000046	320	200	2.00	3.48
250	BADJ000047	350	200	2.00	3.90
280	BADJ000048	380	200	2.00	4.40
300	BADJ000049	400	200	2.00	4.75
315	BADJ000050	415	200	2.00	5.01
350	BADJ000051	450	200	2.00	5.66
400	BADJ000052	500	200	2.00	6.63