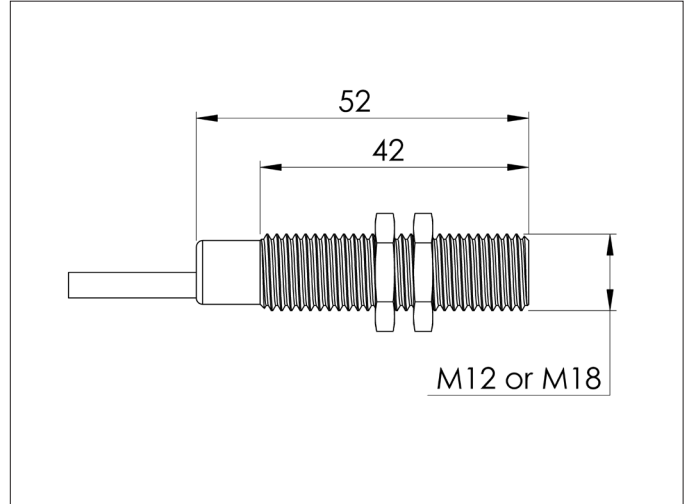


NCEB - Position sensors for BADA-VEX



NCEB - Position sensors for BADA-VEX

These sensors are designed to detect the closing of the non-return valve flap within the BADA-VEX ATEX non-return valve and give a signal in case of locking.

They are prewired devices produced according to the EU directives.

Available in size M12 for non-return valves up to Ø350, and in M18 as of size Ø400.

Options

- none

Material

Nickel plated brass housing with M12 or M18 mounting nuts

Type

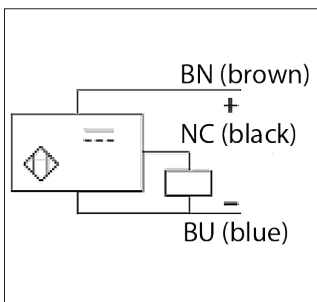
Pre-wired with 3 PVC coated cables with yellow LED

Other information (M12 version)

- conformity according to : CE, CSA, UL
- voltage : 12 to 48 V DC
- max. current : 200 mA
- protection : IP 68
- cable type : 3 x 2 m PVC coated 0.34 mm²
- temperature range : -25°C to +70°C
- TOR output : NC
- TOR output type : PNP

Other information (M18 version)

- conformity according to : CE, CSA, UL
- voltage : 12 to 24 V DC
- max. current : 200 mA
- protection : IP 67
- cable type : 3 x 2 m PVC coated 0.14 mm²
- temperature range : -25°C to +70°C
- TOR output : NC
- TOR output type : PNP



PNP - Wiring diagram

Size	Reference	BADA-VEX size	cable length	cable size	output type	Weight (kg)
M12	NCEB000004	160 to 350	2 m	0.34	PNP	0.10
M18	NCEB000005	400 to 800	2 m	0.14	PNP	0.20