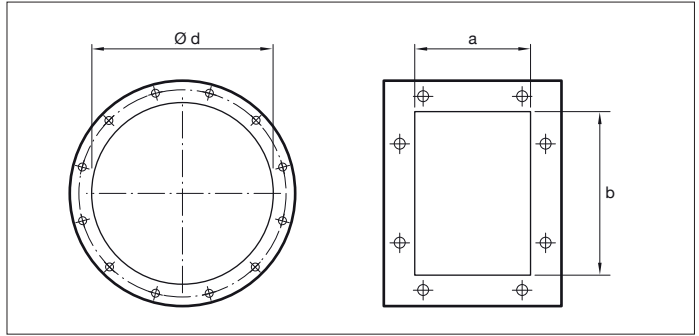
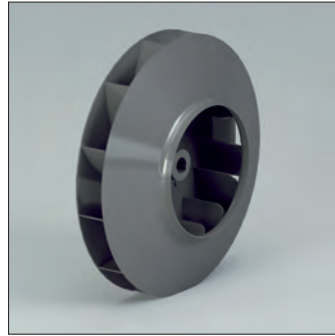
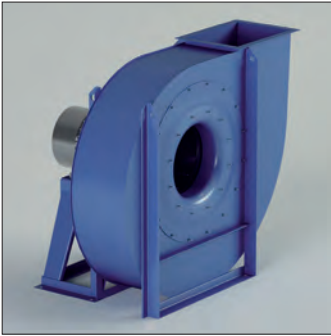


GR - GR/T

GR – GR/T

Direct and indirect driven centrifugal fans.

Impeller with negative (backwards curved) blades.

Application

For the transport of lightly loaded air, fumes and fine dust.

Application area

Low-medium-high air volumes, medium pressures.

Technical specifications:

Air volume: 1.500 up to 140.000 m³/h

Total pressure: 150 up to 1.100 daPa.

Mo el	Installed power (kW)	Axle height mm	Poles	Inlet $\varnothing d$ mm	Outlet dimensions a x b mm	Inspection door	Welding fan housing
GR400/2R	2.2	90	2	250	185 x 258	Optional	Optional
GR400/2	3	100	2	250	185 x 258	Optional	Optional
GR450/2R	4	112	2	275	205 x 288	Optional	Optional
GR450/2	5.5	132	2	275	205 x 288	Optional	Optional
GR500/2R	7.5	132	2	325	229 x 322	Optional	Optional
GR500/2	11	160	2	325	229 x 322	Optional	Optional
GR560/2R	11	160	2	350	256 x 361	Optional	Optional
GR560/2	15	160	2	350	256 x 361	Optional	Optional
GR630/2R	22	180	2	400	288 x 404	Optional	Optional
GR630/2	30	200	2	400	288 x 404	Optional	Optional
GR710/2R	37	200	2	450	322 x 453	Included	Included
GR710/2	45	225	2	450	322 x 453	Included	Included
GR800/2R	75	280	2	500	361 x 507	Included	Included
GR800/2	90	280	2	500	361 x 507	Included	Included
GR900/2R	132	315	2	550	404 x 569	Included	Included
GR900/2	160	315	2	550	404 x 569	Included	Included
GR560/4R	1.5	90	4	350	256 x 361	Optional	Optional
GR560/4	2.2	100	4	350	256 x 361	Optional	Optional
GR630/4R	3	100	4	400	288 x 404	Optional	Optional
GR630/4	4	112	4	400	288 x 404	Optional	Optional
GR710/4R	4	112	4	450	322 x 453	Included	Included
GR710/4	5.5	132	4	450	322 x 453	Included	Included
GR800/4R	7.5	132	4	500	361 x 507	Included	Included
GR800/4	11	160	4	500	361 x 507	Included	Included
GR900/4R	15	160	4	550	404 x 569	Included	Included
GR900/4	22	180	4	550	404 x 569	Included	Included
GR1000/4R	30	200	4	630	453 x 638	Included	Included
GR1000/4	37	225	4	630	453 x 638	Included	Included
GR1120/4R	45	225	4	710	507 x 715	Included	Included
GR1120/4	55	250	4	710	507 x 715	Included	Included
GR1250/4R	75	280	4	800	569 x 801	Included	Included
GR1250/4	110	315	4	800	569 x 801	Included	Included
GR1400/4R	132	315	4	900	638 x 898	Included	Included
GR1400/4	160	315	4	900	638 x 898	Included	Included
GR900/6R	4	132	6	550	404 x 569	Included	Included
GR900/6	5.5	132	6	550	404 x 569	Included	Included
GR1000/6R	7.5	160	6	630	453 x 638	Included	Included
GR1000/6	11	160	6	630	453 x 638	Included	Included
GR1120/6R	15	180	6	710	507 x 715	Included	Included
GR1120/6	18.5	200	6	710	507 x 715	Included	Included
GR1250/6R	22	200	6	800	569 x 801	Included	Included
GR1250/6	30	225	6	800	569 x 801	Included	Included
GR1400/6R	37	250	6	900	638 x 898	Included	Included
GR1400/6	55	280	6	900	638 x 898	Included	Included

GR - GR/T

•Noise tolerance $\pm 4dB(A)$

Q [m ³ /h]																							
7920	8640	9360	10800	12600	14400	16200	18000	19800	21600	25200	28800	32400	36000	39600	43200	46800	54000	61000	72000	79200	90000		
pt[mmH ₂ O]																							
269	223																						
396	369																						
457	435	407	340	257																			
568	552	534	493	430	352																		
655	642	627	594	546	486	413	328																
782	771	760	735	697	652	600	538	465															
898	888	879	858	829	795	756	710	657	597														
			1047	1026	1002	974	943	909	869	776	661												
			1145	1126	1106	1080	1054	1025	994	912	820	714	591										
					1358	1340	1321	1300	1277	1226	1164	1093	1009										
						1448	1437	1427	1400	1356	1315	1240	1162	1080	1000	895							
94																							
142	127	115																					
180	174	163	140																				
234	228	221	204																				
261	256	251	238	219	195	167	133																
322	318	314	303	295	275	256	240	214															
353	350	346	339	327	314	299	281	261	238	182													
		403	397	388	378	367	354	339	322	276	234												
			443	435	427	417	406	394	384	349	310	263	208										
				501	493	485	475	465	439	409	374	333											
					562	555	548	540	520	497	469	439	403	363	318								
								627	613	595	575	551	525	495	462	385							
									708	697	683	666	648	627	603	577	517	448	318				
											780	747	753	736	718	698	652	599	497				
												892	883	872	859	846	830	795	755	680	620	520	
138	135	131	122	110	92																		
166	164	162	155	145	136	121	103																
185	184	180	175	167	158	143	135	122	108														
	217	216	214	206	200	192	182	171	158	129													
		246	243	240	236	227	217	214	200	180	155	122											
			277	274	271	262	257	251	231	214	197	163											
				306	302	298	293	287	275	260	238	220	195	158	138								
					347	343	336	333	326	312	303	284	265	245	221								
						387	382	377	368	354	346	329	316	302	262	207							

The A-weighted sound power level, LpA (Chap.13), is the value measured in test conditions at the point of maximum noise level.

GR - GR/T

Size	• Max rpm			
	CLASSE I	CLASSE II	CLASSE III	CLASSE IV
GR400/R	4100	5800		
GR400	4000	5600		
GR450/R	3750	5400		
GR450	3600	5000		
GR500/R	3500	4750		
GR500	3400	4500		
GR560/R	3300	4250	4750	
GR560	3200	4000	4500	
GR630/R	3100	3750	4250	
GR630	2950	3600	4000	
GR710/R	2800	3400	3750	
GR710	2600	3200	3550	
GR800/R	2500	3000	3350	3570
GR800	2350	2800	3150	3500
GR900/R	2200	2650	3000	3300
GR900	2100	2500	2800	3100
GR1000/R	2000	2350	2700	
GR1000	1900	2250	2550	
GR1120/R	1800	2150	2400	
GR1120	1700	2000	2250	
GR1250/R	1600	1900	2100	
GR1250	1500	1800	2000	
GR1400/R	1400	1700	1900	
GR1400	1300	1600	1800	
GR1600	1100	1400	1600	
GR1800	1200	1350	1450	
GR2000	1000	1150	1250	

• alues valid up to 60°C

• between	60°C	• and	100°C	• degrade speed	4%
	100°C		150°C		10%
	150°C		200°C		16%
	200°C		250°C		23%
	250°C		300°C		30%
	300°C		350°C		37%
	350°C		400°C		45%
	400°C		450°C		54%
	450°C		500°C		64%

pt [mmH₂O]

