

**NCEA000002 - ATEX Dust level sensor for BADA-VEX**



**NCEA000002 - ATEX Dust level sensor for BADA-VEX**

This ATEX dust level sensor is designed to detect unusual dust deposits on the bottom inside the BADA-VEX ATEX non-return valve which could lead to functioning issues.

The standard BADA-VEX non-return valves are foreseen with a brass M12 plug on the underside of the body designed to fit this sensor.

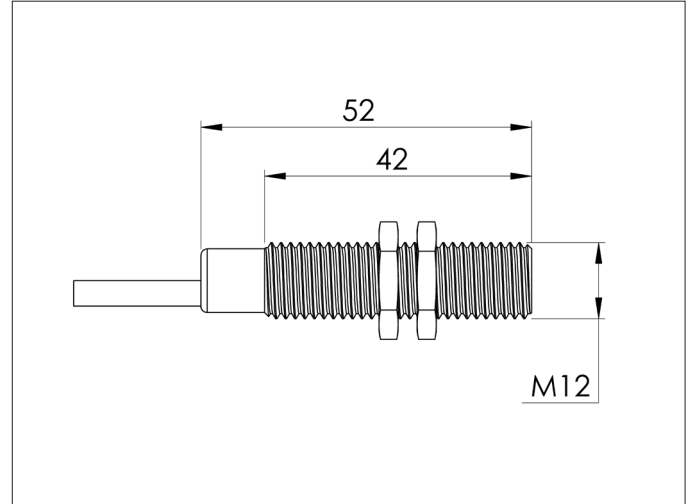
NAMUR sensors must be used with switching amplifiers approved for this intrinsic safety mode according to EN 60079-11:2012.

**Protection level**

- II 1D Ex ia IIIC T101C Da

**Options**

- none



**Material**

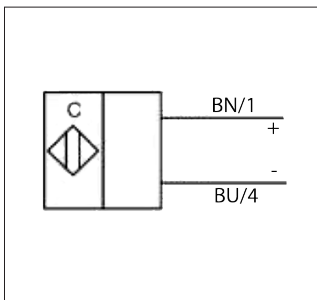
Nickel plated brass housing with M12 mounting nut

**Type**

Pre-wired with 2 PVC coated cables with yellow LED

**Other information**

- ATEX certification : DMT 03 ATEX E 048 / BVS 07.0031
- conformity according to : CE, CSA, UL
- voltage : 5 to 15 V DC
- max. current : 1.5 to 2.5 mA
- protection : IP 67
- cable type : 2 x 2 m PVC coated 0.14 mm<sup>2</sup>
- temperature range : -20°C to +70°C
- output : NAMUR DIN 30947-5-6



Wiring diagram

Size	Reference	BADA-VEX size	cable length	cable size	output type	Weight (kg)
M12	NCEA000002	160 to 800	2 m	0.14	NAMUR	0.10