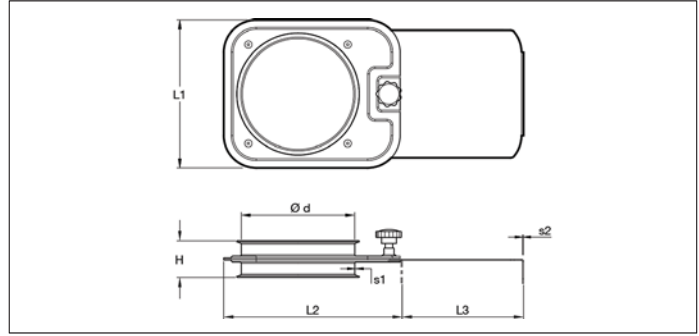


**AADB Compact sliding dampers**



**AADB Compact sliding dampers**

Manual sliding damper without seal. Available from Ø80 up to Ø250 included for use in overpressure, under-pressure and pressureless systems.

It is widely used where very little space is available.

Provided with star knob to lock the blade in place.

**Material**

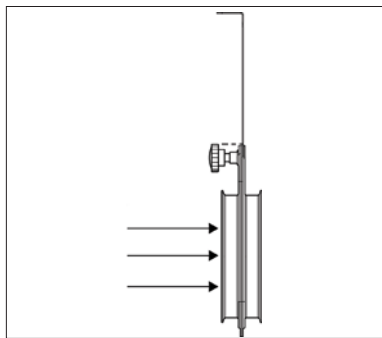
Electro-galvanized blacksteel (10µm).  
POM star knob.

**Type**

Pressed sheets spot-welded together with 6 mm edges for lock rings.

**Options**

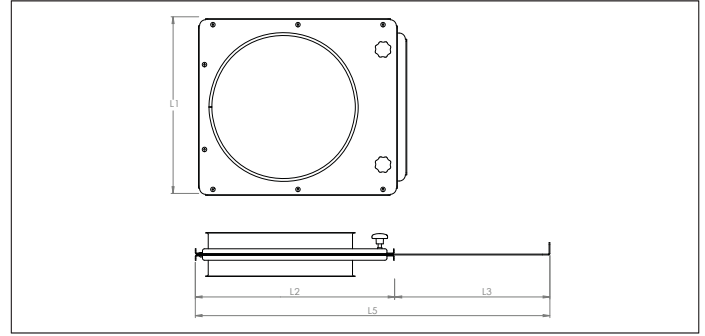
- none



Airflow direction (underpressure systems)

Ø	Code	L1 mm	L2 mm	L3 mm	H mm	S1 mm	Weight kg
80	AADB000001	120	150	90	40	1.20	0.47
100	AADB000002	140	168	124	40	1.20	0.61
120	AADB000003	160	185	135	40	1.20	0.75
140	AADB000004	180	220	140	55	1.20	1.00
150	AADB000005	190	230	157	60	1.20	1.15
160	AADB000006	200	235	163	60	1.20	1.30
180	AADB000007	220	278	180	64	1.20	1.50
200	AADB000008	240	305	230	64	1.20	1.80
225	AADB000009	270	325	260	64	1.20	2.10
250	AADB000010	290	345	260	64	1.20	2.40

**AADB Compact sliding dampers**



**AADB Compact sliding dampers**

Manual sliding damper without seal. Available from Ø275 up to Ø650 included for use in overpressure, under-pressure and pressureless systems.

It is widely used where very little space is available.

Provided with one star knob up to Ø315 and two star knobs up to Ø650 to lock the blade in place.

**Material**

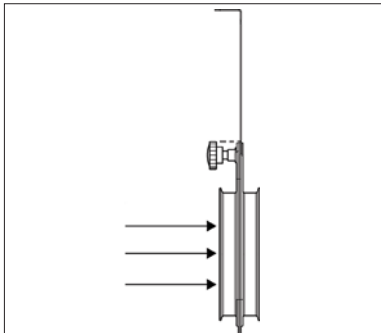
Electro-galvanized blacksteel (10µm).  
POM star knob.

**Type**

Cut sheets bolted together with 6 mm edges for lock rings.

**Options**

- other diameters
- at 45° position for the paper industry
- other sheet thicknesses depending on diameter
- other types of edges or connections



Airflow direction (underpressure systems)



Model at 45° for the paper industry

Ø	Code	L1 mm	L2 mm	L3 mm	H mm	S1 mm	Weight kg
125	AADB000021	205	282	305	107	1.50	2.50
275	AADB000011	355	432	545	107	1.50	6.00
280	AADB000022	355	432	545	107	1.50	6.30
300	AADB000012	380	457	583	107	1.50	6.70
315	AADB000013	395	472	605	107	1.50	7.15
350	AADB000014	430	507	658	107	1.50	8.20
400	AADB000015	480	557	733	107	1.50	9.70
450	AADB000016	530	607	808	107	1.50	11.40
500	AADB000017	604	720	947	110	2.00	20.50
550	AADB000018	654	770	1022	110	2.00	23.20
600	AADB000019	704	820	1097	110	2.00	26.70
630	AADB000020	734	850	1152	110	2.00	28.30

FA\_T01\_IDGALVA\_2022\_NS/V5.0.EN