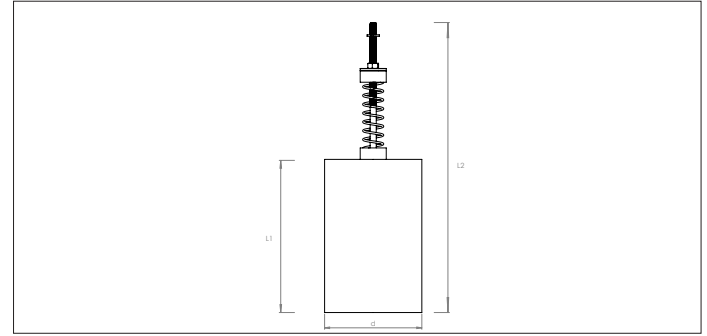
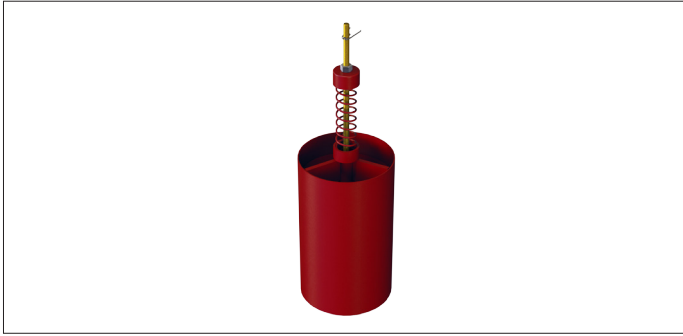


CZDA Safety valves



CZDA Safety valves

The primary function of a safety valve is to protect property and life. Because a safety valve is often the last device to prevent catastrophic failure under pressure conditions.

The safety valves in this range can be tared according to the need release pressure.

Material

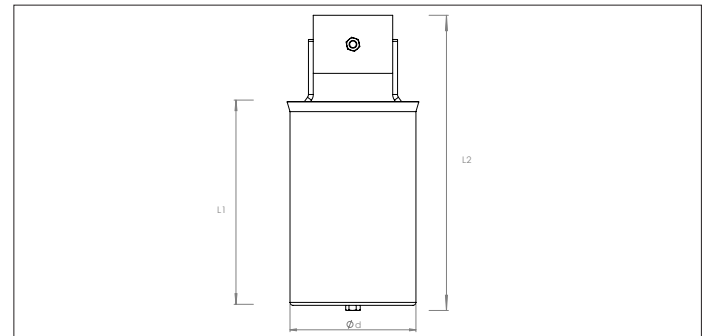
Powder-coated steel RAL 3020.

Type

With a straight edge for a good connection with a pipe connector. Designed to work in over- or under-pressure.

Type	Code	L1 Ø mm	L2 mm	Weight kg
76	CZDA000001	150	320	1.05
102	CZDA000002	200	350	1.65
127	CZDA000003	200	355	1.90
152	CZDA000004	200	355	2.20
203	CZDA000005	250	440	2.90

CZFA Silencers for safety valves



CZFA Silencers for safety valves

These silencers are to be used in combination with the CZDA safety valve in order to reduce the noise when the valve releases the pressure of the installation.

It slides over the valve and is held in place by a bolt.

Material

Powder-coated steel RAL 3020.

Type

With a M8 bolt to hold in place on the pipe.

Type	Code	Ød Ø mm	L1 Ø mm	L2 mm	Weight kg
76	CZFA000001	130	210	300	2.00
102	CZFA000002	162	210	300	2.80
127	CZFA000003	213	210	300	3.75
152	CZFA000004	265	210	300	5.00
203	CZFA000005	333	260	400	7.20