

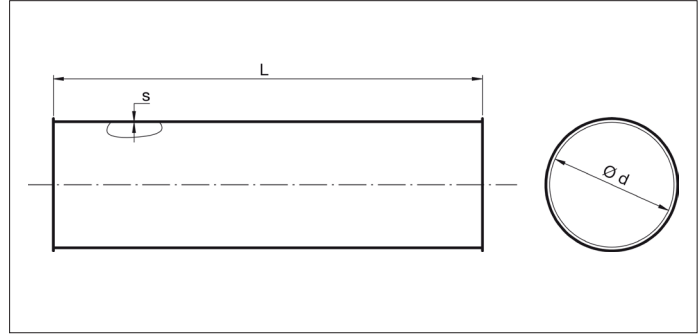
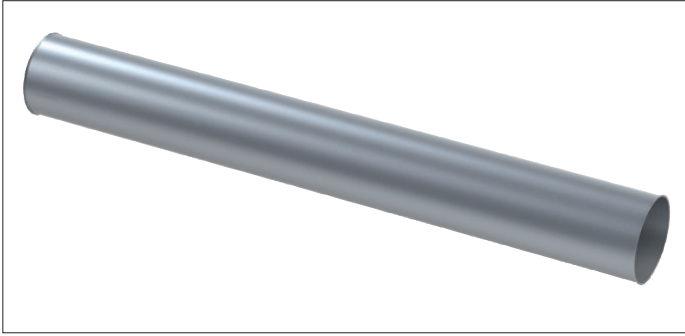
Light gauge galvanized ducting

General information

Ducting elements

Technical elements

AAAA Laser welded pipes - 2000 mm



Laser welded pipes

Longitudinally laser welded pipes with a sheet thickness of 0.75 up to 0.88 mm for use in overpressure, under-pressure and pressureless systems.

This range has been developed to resist to 500 H²O under-pressure (5.000 Pa), see separate resistance chart.

Material

Senzimir galvanized DX51 DZ 275 MAC.

Type

Rolled laser welded sheets with 6 mm edges for lock rings.

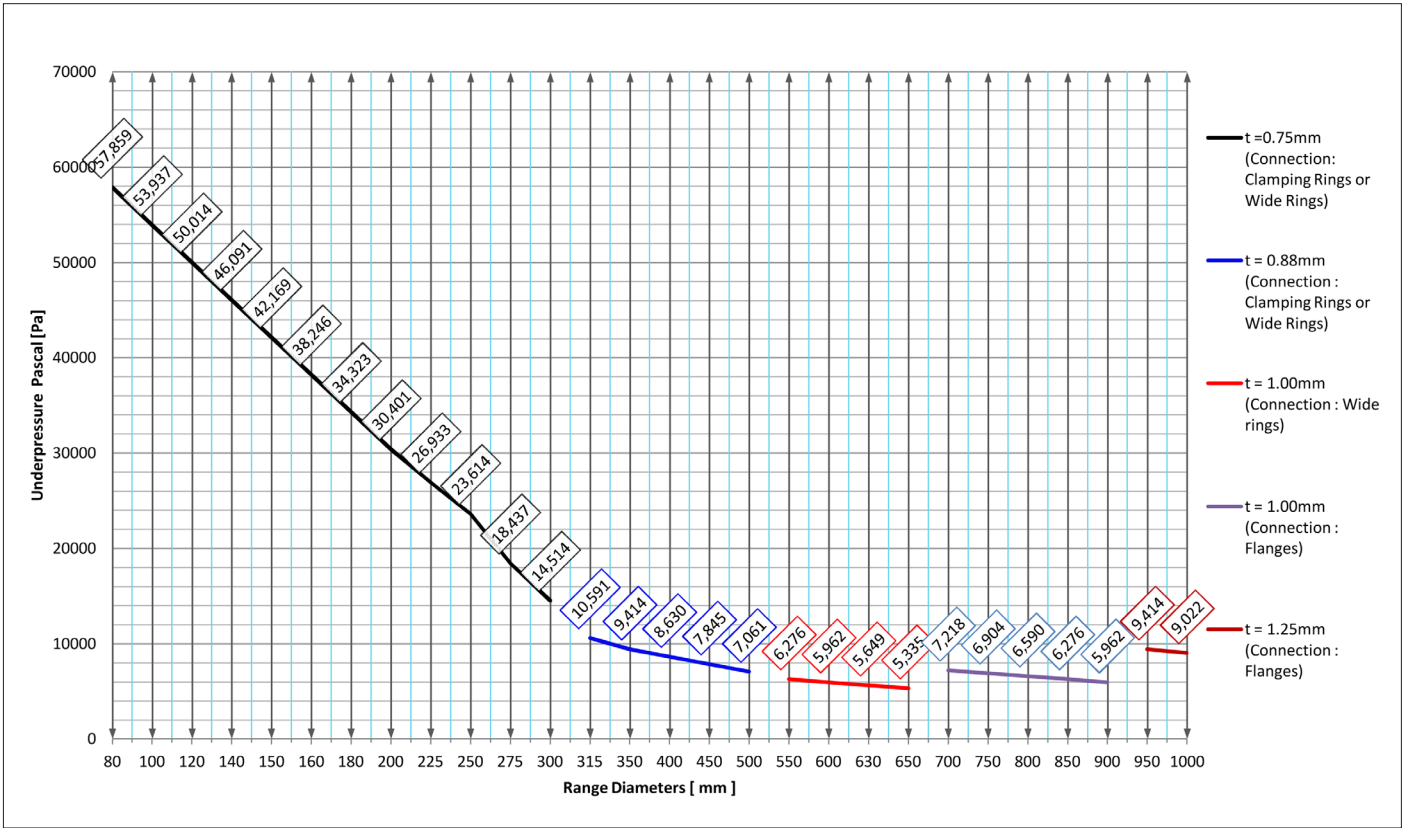
Options

- other lengths
- other diameters
- sheet thickness up to 3 mm, depending on length and diameter
- other types of edges or connections

! If needed, lengths of 2000 mm can be produced as of Ø500 by lockforming two 1000 mm pipes together but we recommend to switch to pipes L=1500 mm.

Ø d mm	Code	L mm	s mm	Weight kg
80	AAAA000001	1994	0.75	3.01
100	AAAA000002	1994	0.75	3.77
120	AAAA000003	1994	0.75	4.52
125	AAAA000225	1994	0.75	4.52
140	AAAA000004	1994	0.75	5.28
150	AAAA000005	1994	0.75	5.65
160	AAAA000006	1994	0.75	6.04
180	AAAA000007	1994	0.75	6.70
200	AAAA000008	1994	0.75	7.54
225	AAAA000009	1994	0.75	8.48
250	AAAA000010	1994	0.75	9.42
275	AAAA000011	1994	0.75	10.37
280	AAAA000226	1994	0.75	10.37
300	AAAA000012	1994	0.75	11.30
315	AAAA000013	1990	0.75	12.49
350	AAAA000014	1990	0.75	13.48
400	AAAA000015	1990	0.88	17.70
450	AAAA000016	1990	0.88	19.91

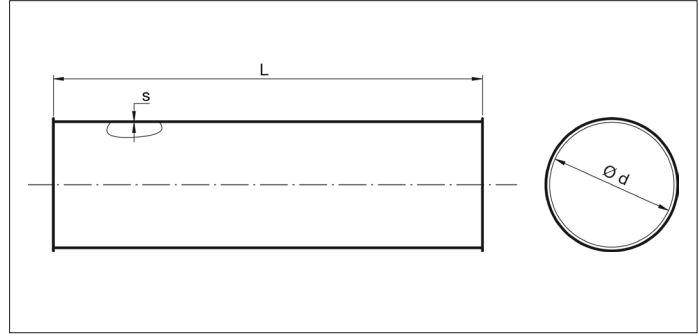
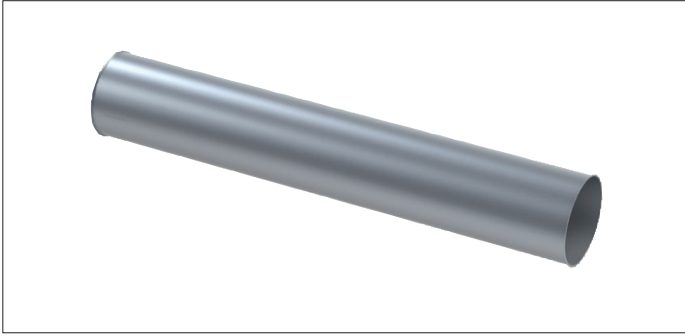
AAAA Laser welded pipes - 2000 mm



Maximum underpressure chart for standard Formula Air light gauge Sendzimir ducting.

Measures based on pipe length 2000 mm for diameters Ø80 to Ø450 and pipe length 1500 mm for diameters Ø500 to Ø1000.

AAAA Laser welded pipes - 1500 mm



Laser welded pipes

Longitudinally laser welded pipes with a sheet thickness of 0.88 up to 1.25 mm for use in overpressure, under-pressure and pressureless systems.

This range has been developed to resist to 500 H²O under-pressure (5.000 Pa), see separate resistance chart (with flanges as of Ø700).

Material

Sendzimir galvanized DX51 DZ 275 MAC.

Type

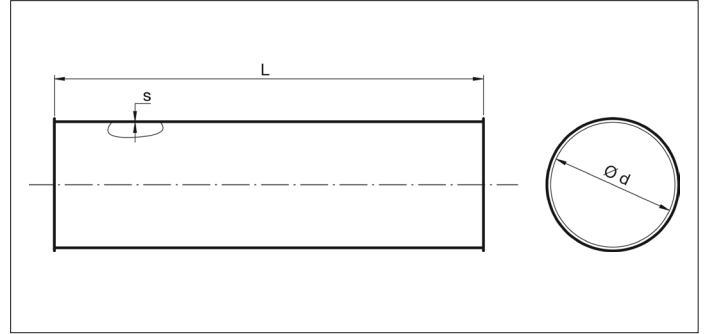
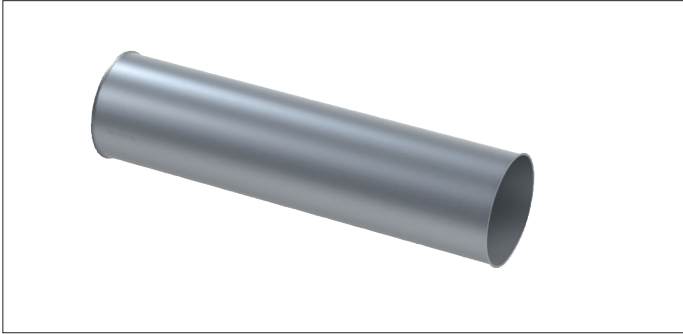
Rolled laser welded sheets with 6 mm edges for lock rings.

Options

- other lengths
- other diameters
- other sheet thicknesses depending on diameter and length
- other types of edges or connections

Ø d mm	Code	L mm	s mm	Weight kg
500	AAAA000017	1490	0.88	16,59
550	AAAA000018	1490	1.00	18,25
600	AAAA000019	1490	1.00	22,62
630	AAAA000020	1490	1.00	23,76
650	AAAA000021	1490	1.00	24,51
700	AAAA000106	1490	1.00	26,40
750	AAAA000107	1490	1.00	28,26
800	AAAA000108	1490	1.00	30,18
850	AAAA000109	1490	1.00	32,04
900	AAAA000110	1490	1.00	33,93
950	AAAA000111	1490	1.25	35,82
1000	AAAA000112	1490	1.25	37,68

AAAA Laser welded pipes - 1000 mm



Laser welded pipes

Longitudinally laser welded pipes with a sheet thickness of 0.75 up to 1.25 mm for use in overpressure, under-pressure and pressureless systems.

This range has been developed to resist to 500 H²O under-pressure (5.000 Pa), see separate resistance chart (with flanges as of Ø700).

Material

Sendzimir galvanized DX51 DZ 275 MAC.

Type

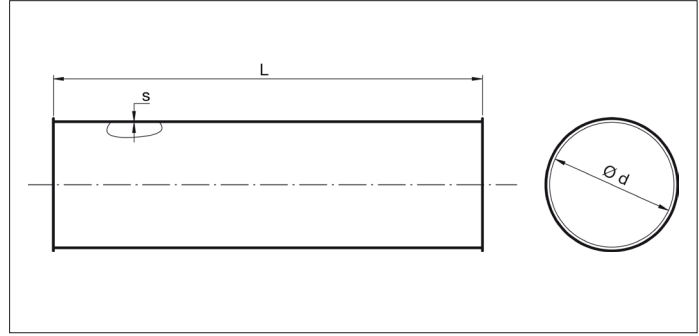
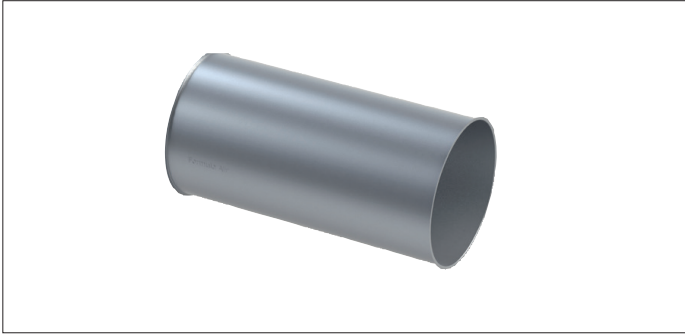
Rolled laser welded sheets with 6 mm edges for lock rings.

Options

- other lengths
- other diameters
- other sheet thicknesses depending on diameter and length
- other types of edges or connections

Ø d mm	Code	L mm	s mm	Weight kg
80	AAAA000029	990	0.75	1,51
100	AAAA000030	990	0.75	1,88
120	AAAA000031	990	0.75	2,26
125	AAAA000227	990	0.75	4,52
140	AAAA000032	990	0.75	2,64
150	AAAA000033	990	0.75	2,83
160	AAAA000034	990	0.75	3,02
180	AAAA000035	990	0.75	3,39
200	AAAA000036	990	0.75	3,77
225	AAAA000037	990	0.75	4,24
250	AAAA000038	990	0.75	4,71
275	AAAA000039	990	0.75	5,18
280	AAAA000228	990	0.75	5,28
300	AAAA000040	990	0.75	5,65
315	AAAA000041	990	0.75	5,94
350	AAAA000042	990	0.75	6,60
400	AAAA000043	990	0.88	8,85
450	AAAA000044	990	0.88	9,95
500	AAAA000045	990	0.88	11,06
550	AAAA000046	990	1.00	12,12
600	AAAA000047	990	1.00	13,27
630	AAAA000048	990	1.00	13,93
650	AAAA000049	990	1.00	14,38
700	AAAA000134	990	1.00	17,60
750	AAAA000135	990	1.00	18,84
800	AAAA000136	990	1.00	20,12
850	AAAA000137	990	1.00	21,36
900	AAAA000138	990	1.00	22,62
950	AAAA000139	990	1.25	23,88
1000	AAAA000140	990	1.25	25,12

AAAA Laser welded pipes - 500 mm



Laser welded pipes

Longitudinally laser welded pipes with a sheet thickness of 0.75 up to 1.25 mm for use in overpressure, under-pressure and pressureless systems.

This range has been developed to resist to 500 H²O under-pressure (5.000 Pa), see separate resistance chart (with flanges as of Ø700).

Material

Sendzimir galvanized DX51 DZ 275 MAC.

Type

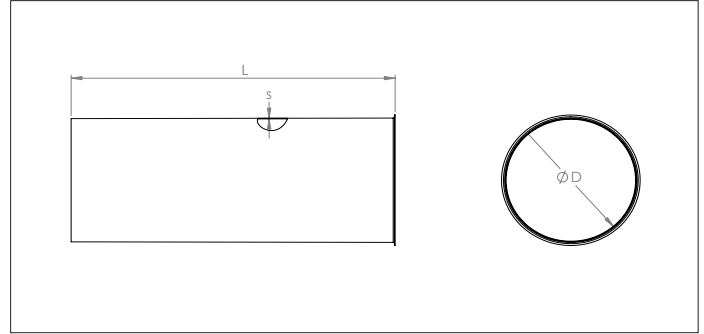
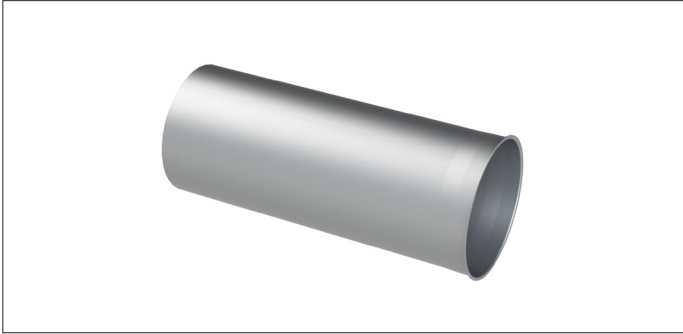
Rolled laser welded sheets with 6 mm edges for lock rings.

Options

- other lengths
- other diameters
- other sheet thicknesses depending on diameter and length
- other types of edges or connections

Ø d mm	Code	L mm	s mm	Weight kg
80	AAAA000057	490	0.75	0,75
100	AAAA000058	490	0.75	0,94
120	AAAA000059	490	0.75	1,13
125	AAAA000229	490	0.75	4,52
140	AAAA000060	490	0.75	1,32
150	AAAA000061	490	0.75	1,41
160	AAAA000062	490	0.75	1,51
180	AAAA000063	490	0.75	1,70
200	AAAA000064	490	0.75	1,88
225	AAAA000065	490	0.75	2,12
250	AAAA000066	490	0.75	2,36
275	AAAA000067	490	0.75	2,59
280	AAAA000230	490	0.75	2,64
300	AAAA000068	490	0.75	2,83
315	AAAA000069	490	0.75	2,97
350	AAAA000070	490	0.75	3,30
400	AAAA000071	490	0.88	4,42
450	AAAA000072	490	0.88	4,98
500	AAAA000073	490	0.88	5,53
550	AAAA000074	490	1.00	6,08
600	AAAA000075	490	1.00	6,64
630	AAAA000076	490	1.00	6,97
650	AAAA000077	490	1.00	7,19
700	AAAA000162	490	1.00	8,80
750	AAAA000163	490	1.00	9,42
800	AAAA000164	490	1.00	10,06
850	AAAA000165	490	1.00	10,68
900	AAAA000166	490	1.00	11,31
950	AAAA000167	490	1.25	11,94
1000	AAAA000168	490	1.25	12,56

AAAS Telescope pipes



Telescope pipes

Telescope pipes are standard longitudinally welded with a stitch-welder for use in overpressure, under-pressure and pressureless systems.

It is assembled in combination with a standard pipe (AAAA) and a rapid-lock ring with seal for telescope pipe (GAAS), both sold separately.

The regulating length is from +20 mm to +450 mm.

Material

Sendzimir galvanized DX51 DZ 275 MAC.

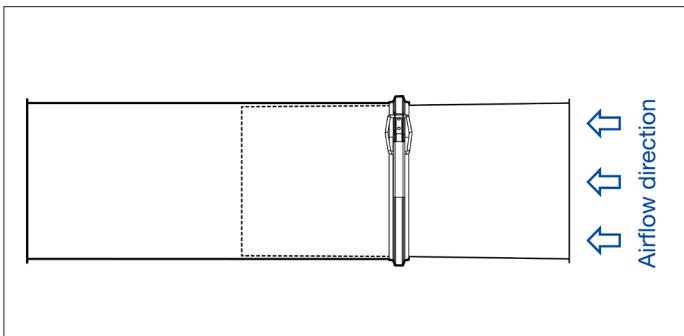
Type

Rolled stitch-welded sheets with 6 mm edges for lock rings.

Options

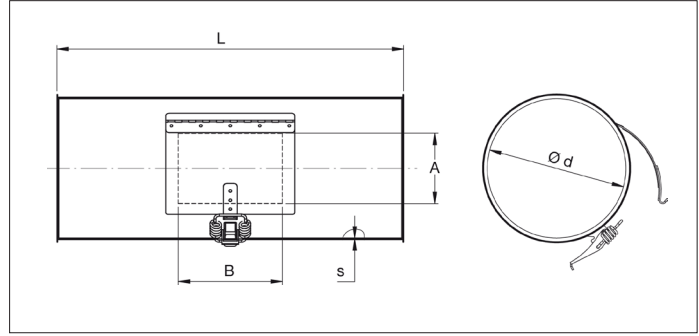
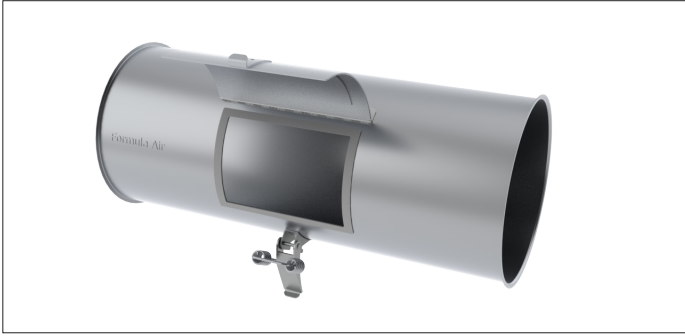
- other diameters
- other sheet thicknesses depending on diameter and length
- other types of edges or connections

! Think of airflow direction when installing.



Ø d mm	Code	L mm	s mm	Weight kg
80	AAAS000001	490	0.75	0.75
100	AAAS000002	490	0.75	0.94
120	AAAS000003	490	0.75	1.13
125	AAAS000021	490	0.75	1.18
140	AAAS000004	490	0.75	1.32
150	AAAS000005	490	0.75	1.41
160	AAAS000006	490	0.75	1.51
180	AAAS000007	490	0.75	1.70
200	AAAS000008	490	0.75	1.88
225	AAAS000009	490	0.75	2.12
250	AAAS000010	490	0.75	2.36
275	AAAS000011	490	0.75	2.59
280	AAAS000022	490	0.75	2.64
300	AAAS000012	490	0.75	2.83
315	AAAS000013	490	0.75	3.48
350	AAAS000014	490	0.75	3.87
400	AAAS000015	490	0.88	4.42
450	AAAS000016	490	0.88	4.97
500	AAAS000017	490	0.88	5.53
550	AAAS000018	490	0.88	6.08
600	AAAS000019	490	0.88	6.63
630	AAAS000020	490	0.88	6.96

AAAC Inspection pipes



Inspection pipes

Inspection pipes are longitudinally spot-welded or welded with a stitch-welder for use in under-pressure and pressureless systems.

The inspection door is always produced with an inner plate for a smooth inner surface inside the pipe and a foam seal is applied along the edge of the opening to insure airtightness.

Material

Sendzimir galvanized DX51 DZ 275 MAC.

Type

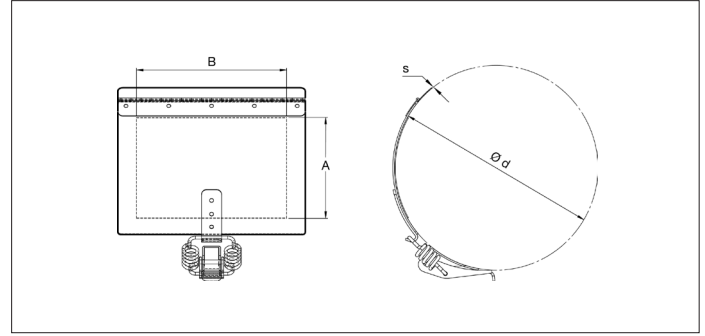
Rolled stitch-welded sheets with 6 mm edges for lock rings. Including locking mechanism and hinge.

Options

- other lengths
- other sheet thicknesses depending on diameter and length
- other types of edges or connections

Ø d mm	Code	A x B mm	L mm	s mm	Weight kg
80	AAAC00001	80 x 150	490	0.75	1.15
100	AAAC00002	80 x 150	490	0.75	1.36
120	AAAC00003	100 x 150	490	0.75	1.57
125	AAAC00021	100 x 150	490	0.75	1.62
140	AAAC00004	100 x 150	490	0.75	1.78
150	AAAC00005	100 x 150	490	0.75	1.87
160	AAAC00006	100 x 150	490	0.75	1.99
180	AAAC00007	100 x 150	490	0.75	2.20
200	AAAC00008	100 x 150	490	0.75	2.41
225	AAAC00009	100 x 150	490	0.75	2.67
250	AAAC00010	100 x 150	490	0.75	2.93
275	AAAC00011	100 x 150	490	0.75	3.21
280	AAAC00022	100 x 150	490	0.75	3.24
300	AAAC00012	100 x 150	490	0.75	3.51
315	AAAC00013	100 x 150	490	0.75	3.61
350	AAAC00014	150 x 200	490	0.88	4.79
400	AAAC00015	150 x 200	490	0.88	5.40
450	AAAC00016	150 x 200	490	0.88	6.00
500	AAAC00017	150 x 200	490	0.88	6.63
550	AAAC00018	150 x 200	490	0.88	6.63
600	AAAC00019	150 x 200	490	0.88	7.83
630	AAAC00020	150 x 200	490	0.88	8.23

AAAE Inspection doors type 'D' with locking mechanism



Inspection doors type 'D' with locking mechanism
Inspection doors type 'D' can be applied to an existing pipe.

The inspection door is always produced with an inner plate for a smooth inner surface of the pipe.

Designed to be mounted on straight elements, no curved or conical components. Keep in mind that a seal needs to be applied along the edge of the opening to insure airtightness.

Material
Sendzimir galvanized DX51 DZ 275 MAC.

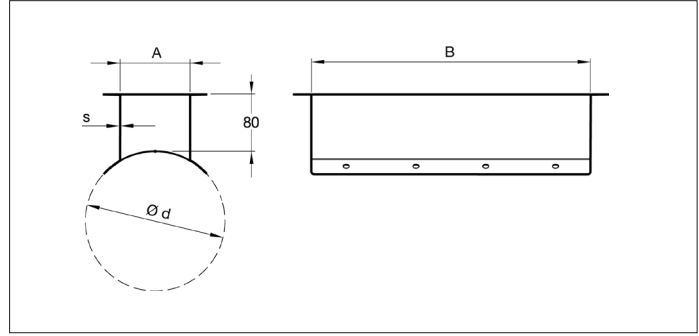
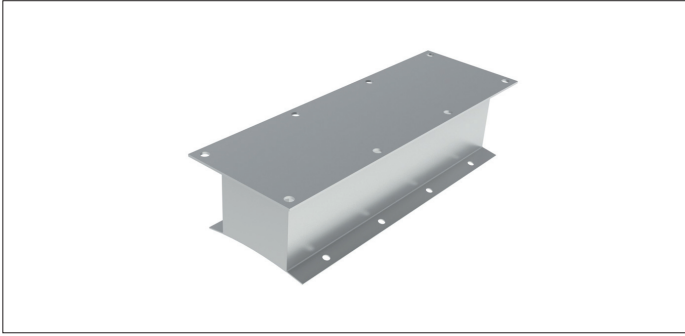
Type
Rolled sheet, including locking mechanism and hinge.

Options
- other sheet thicknesses depending on diameter and length

! Please state pipe diameter when ordering!

Ø d mm	Code	A x B mm	s mm	Weight kg
80	AAAE000001	80 x 150	0.75	0.37
100	AAAE000002	80 x 150	0.75	0.37
120	AAAE000003	100 x 150	0.75	0.41
125	AAAE000029	100 x 150	0.75	0.41
140	AAAE000004	100 x 150	0.75	0.41
150	AAAE000005	100 x 150	0.75	0.41
160	AAAE000006	100 x 150	0.75	0.41
180	AAAE000007	100 x 150	0.75	0.41
200	AAAE000008	100 x 150	0.75	0.41
225	AAAE000009	100 x 150	0.75	0.41
250	AAAE000010	100 x 150	0.75	0.41
275	AAAE000011	100 x 150	0.75	0.41
280	AAAE000030	100 x 150	0.75	0.41
300	AAAE000012	100 x 150	0.75	0.41
315	AAAE000013	100 x 150	0.75	0.41
350	AAAE000014	150 x 200	0.88	0.73
400	AAAE000015	150 x 200	0.88	0.73
450	AAAE000016	150 x 200	0.88	0.73
500	AAAE000017	150 x 200	0.88	0.73
550	AAAE000018	150 x 200	0.88	0.73
600	AAAE000019	150 x 200	0.88	0.73
630	AAAE000020	150 x 200	0.88	0.73
650	AAAE000021	150 x 200	0.88	0.73
700	AAAE000022	150 x 200	0.88	0.73
750	AAAE000023	150 x 200	0.88	0.73
800	AAAE000024	150 x 200	0.88	0.73
850	AAAE000025	150 x 200	0.88	0.73
900	AAAE000026	150 x 200	0.88	0.73
950	AAAE000027	150 x 200	0.88	0.73
1000	AAAE000028	150 x 200	0.88	0.73

AAAF Inspection doors type 'NFX' with loose lid



Inspection doors type 'NFX' with loose lid
Inspection doors type 'NFX' are made in accordance with the NFX44-052 norm and can be applied to an existing pipe.

These inspection door are designed to house measuring devises.

The doors are attached to the pipe with rivets or self-tapping screws. The lid is mounted with M8 bolts/nuts.

Material
1.50 mm black steel 1.0330 powder coated in RAL 9006.

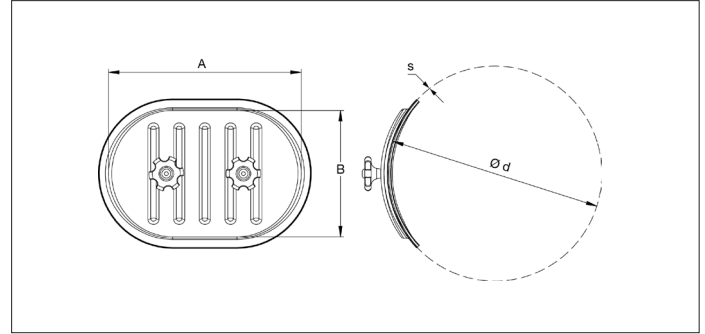
Type
Welded sheets, including loose lid with sealing tape and bolts.

Options
- other materials

 Please state pipe diameter when ordering!

Ø d mm	Code	A x B mm	s mm	Weight kg
120 to 125	AAAF000001	100 x 400	1.50	3.00
140 to 160	AAAF000004	100 x 400	1.50	2.92
180	AAAF000005	100 x 400	1.50	2.88
200	AAAF000006	100 x 400	1.50	2.88
225	AAAF000007	100 x 400	1.50	2.85
250 to 280	AAAF000008	100 x 400	1.50	2.85
300 to 315	AAAF000010	100 x 400	1.50	2.82
350	AAAF000012	100 x 400	1.50	2.80
400	AAAF000013	100 x 400	1.50	2.79
450	AAAF000014	100 x 400	1.50	2.79
500	AAAF000015	100 x 400	1.50	2.78
550	AAAF000016	100 x 400	1.50	2.77
600 to 650	AAAF000017	100 x 400	1.50	2.77
700 to 750	AAAF000020	100 x 400	1.50	2.76
800	AAAF000022	100 x 400	1.50	2.75
850	AAAF000023	100 x 400	1.50	2.74
900 to 1000	AAAF000024	100 x 400	1.50	2.75

AAAG Inspection doors type 'M'



Inspection doors type 'M'
Inspection doors type 'M' can easily be applied to existing pipes.

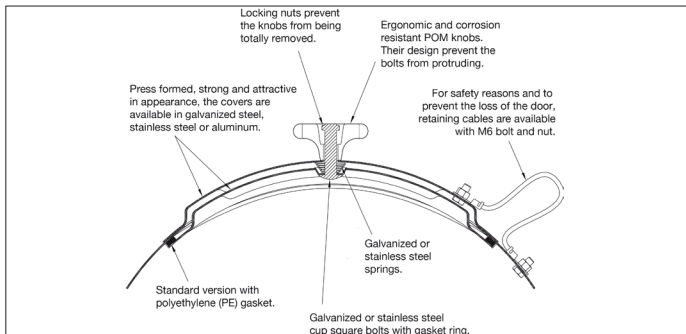
The cover is completely demountable and stays airtight after frequent use.

Available in different sizes, with an inner and outer cover with two star knobs.

Material
Sendzimir galvanized DX51 DZ 275 MAC.

Type
Pressed sheet, with Polyethylene (PE) gasket and POM knobs.
Operating temperature : max. +70 °C.

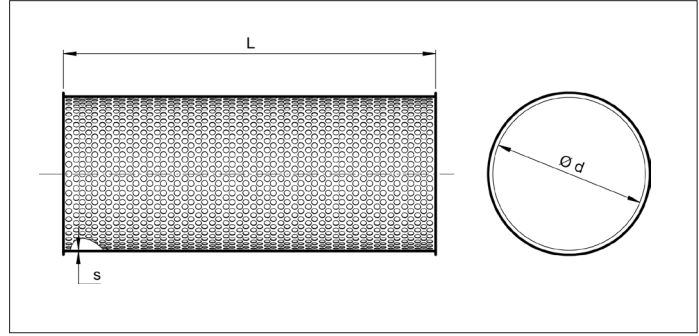
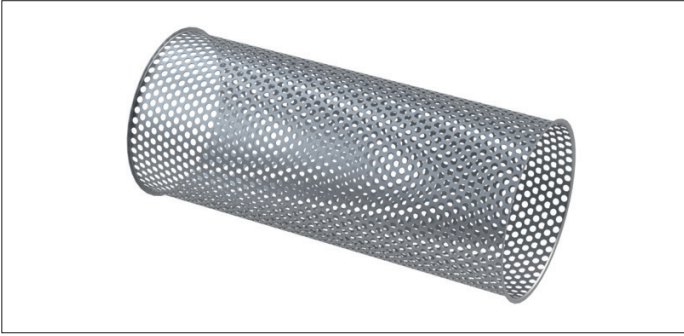
- Options**
- other materials (stainless steel or aluminum)
 - with rubber edge molding (SKK) and POM knobs, operating temperature: max. +80 °C
 - with ceramic wool gasket and metal knobs (HT), operating temperature galvanized steel: max. +200 °C, operating temperature stainless steel version: max. +300 °C
 - with silicon gasket and POM knobs, operating temperature: max. +80 °C
 - with silicon gasket and metal knobs (HT), operating temperature: max. +200 °C
 - retaining cable with M6 bolt to prevent the loss of the door
 - for rectangular ducting



! Please state pipe diameter when ordering!

Ø d mm	Code	A x B mm	s mm	Weight kg
80	AAAG000017	180 x 80	1.00	0.29
100	AAAG000018	180 x 80	1.00	0.29
120 to 125	AAAG000019	180 x 80	1.00	0.29
140 to 150	AAAG000002	180 x 80	1.00	0.29
160 to 180	AAAG000003	200 x 100	1.00	0.32
200 to 225	AAAG000004	200 x 100	1.00	0.32
250	AAAG000005	200 x 100	1.00	0.32
275 to 300	AAAG000006	300 x 200	1.00	1.05
315	AAAG000007	300 x 200	1.00	1.05
350	AAAG000008	300 x 200	1.00	1.05
400	AAAG000009	300 x 200	1.00	1.05
450	AAAG000010	400 x 300	1.00	2.00
500	AAAG000011	400 x 300	1.00	2.00
550	AAAG000012	400 x 300	1.00	2.00
600	AAAG000013	400 x 300	1.00	2.00
630	AAAG000014	400 x 300	1.00	2.00
650	AAAG000015	400 x 300	1.00	2.00
700	AAAG000016	400 x 300	1.00	2.00

AAAD Perforated pipes



Perforated pipes

These pipes are longitudinally spot-welded or stitch-welded.

Designed for air return in a workspace, they are made of metal sheets with 33% perforation.

Material

Sendzimir galvanized DX51 DZ 275 MAC plates with 3mm holes every 5 mm.

Type

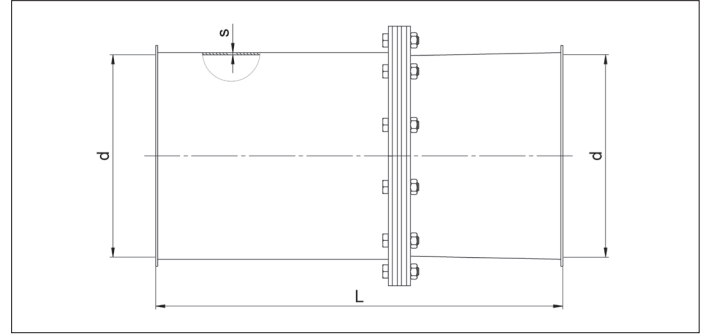
Rolled spot-welded sheets with 6 mm edges for lock rings.

Options

- other lengths
- other diameters
- other types of edges or connections

Ø d mm	Code	L mm	s mm	Weight kg
80	AAAD000001	990	1.00	1.35
100	AAAD000002	990	1.00	1.63
120	AAAD000003	990	1.00	1.96
125	AAAD000021	990	1.00	2.04
140	AAAD000004	990	1.00	2.29
150	AAAD000005	990	1.00	2.45
160	AAAD000006	990	1.00	2.61
180	AAAD000007	990	1.00	2.94
200	AAAD000008	990	1.00	3.27
225	AAAD000009	990	1.00	3.67
250	AAAD000010	990	1.00	4.08
275	AAAD000011	990	1.00	4.49
280	AAAD000022	990	1.00	4.57
300	AAAD000012	990	1.00	4.90
315	AAAD000013	990	1.00	5.14
350	AAAD000014	990	1.00	5.71
400	AAAD000015	990	1.00	6.53
450	AAAD000016	990	1.00	7.35
500	AAAD000017	990	1.00	8.16
550	AAAD000018	990	1.00	8.98
600	AAAD000019	990	1.00	9.80
630	AAAD000020	990	1.00	10.29

AAAH Swivel pipes



Swivel pipes

These pipes are composed of one pipe inserted in another and held in place on bearings pinched between flanges for use in under-pressure and pressureless systems...

Designed to be used in situations where a lot of movements are required, the lower pipe can pivot freely on 360°.

Material

Electro-galvanized black steel 1.0330.

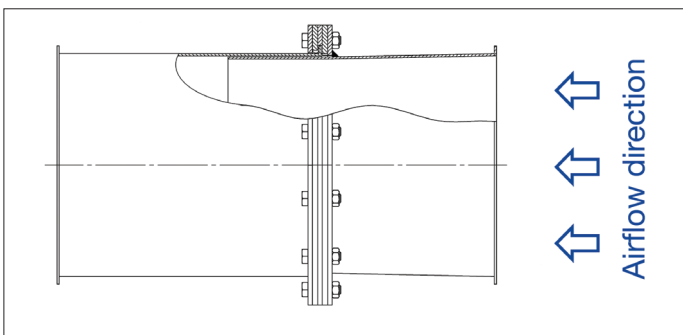
Type

Rolled full welded sheets with 6 mm edges for lock rings.

Options

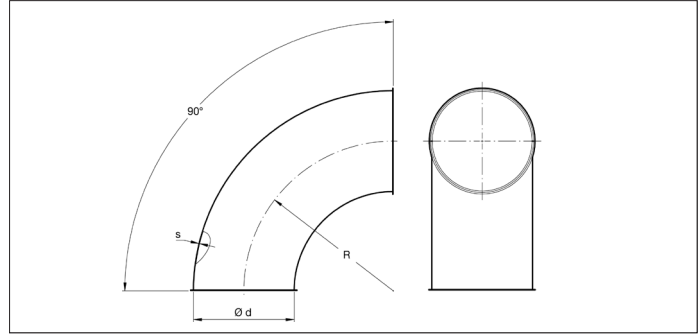
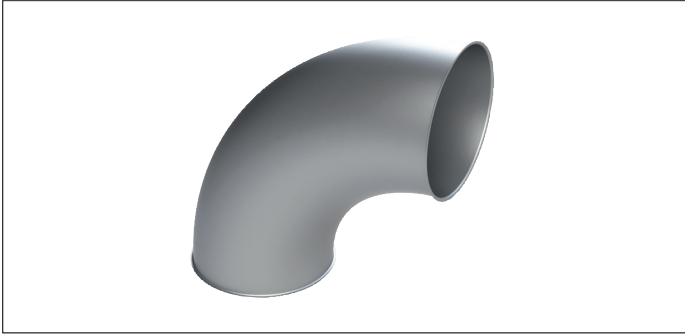
- other diameters
- other types of edges or connections

! Think of airflow direction when installing.



Ø d mm	Code	L mm	s mm	Weight kg
150	AAAH000001	450	1.50	5.10
160	AAAH000002	450	1.50	5.99
200	AAAH000003	450	1.50	7.24
250	AAAH000004	450	1.50	9.19
300	AAAH000005	450	1.50	10.94

AABA Pressed bends 90° R=1.5D



Pressed bends 90° R=1.5D

The pressed bends are made of two preformed halves which are longitudinally spot-welded together for use in under-pressure and pressureless systems.

These bends are suitable for the transport of waste materials such as dust and chips but also for the transport of grains and such.

They are only produced in R=1.5D. If a situation requires other radiuses or diameters, please see the segmented bends in this section.

Material

Sendzimir galvanized DX51 DZ 275 MAC.

Type

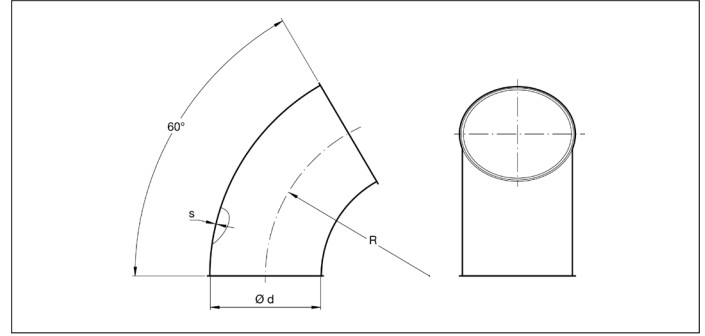
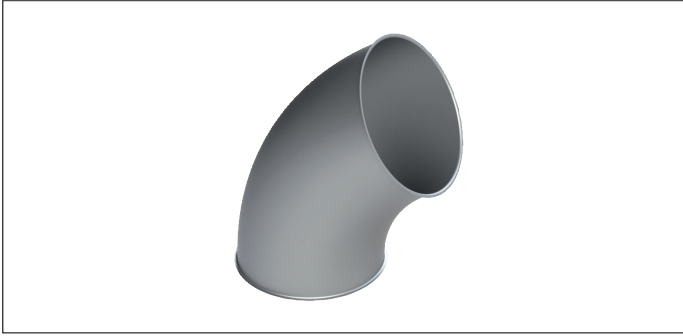
Pressed sheets spot-welded together with 6 mm edges for lock rings.

Options

- other types of edges or connections

Ø d mm	Code	R mm	s mm	Weight kg
80	AABA000001	120	1.00	0.45
100	AABA000002	150	1.00	0.75
120	AABA000003	180	1.00	1.00
125	AABA000141	187.5	1.00	1.10
140	AABA000004	210	1.00	1.45
150	AABA000005	225	1.00	1.55
160	AABA000006	240	1.00	1.85
180	AABA000007	270	1.00	2.25
200	AABA000008	300	1.00	2.75
225	AABA000009	337.5	1.00	3.50
250	AABA000010	375	1.00	4.40
275	AABA000011	412.5	1.00	5.35
300	AABA000012	450	1.00	6.30

AABA Pressed bends 60° R=1.5D



Pressed bends 60° R=1.5D

The pressed bends are made of two preformed halves which are longitudinally spot-welded together for use in under-pressure and pressureless systems.

These bends are suitable for the transport of waste materials such as dust and chips but also for the transport of grains and such.

They are only produced in R=1.5D. If a situation requires other radiuses or diameters, please see the segmented bends in this section.

Material

Sendzimir galvanized DX51 DZ 275 MAC.

Type

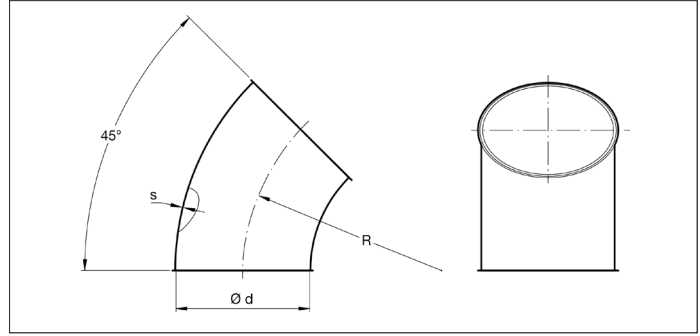
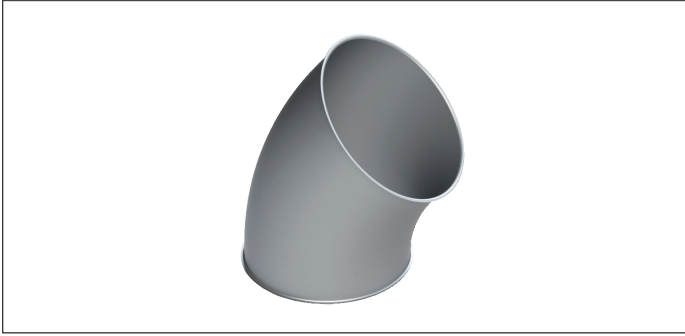
Pressed sheets spot-welded together with 6 mm edges for lock rings.

Options

- other types of edges or connections

Ø d mm	Code	R mm	s mm	Weight kg
80	AABA000029	120	1.00	0.32
100	AABA000030	150	1.00	0.53
120	AABA000031	180	1.00	0.72
125	AABA000143	187.5	1.00	0.75
140	AABA000032	210	1.00	0.93
150	AABA000033	225	1.00	1.05
160	AABA000034	240	1.00	1.20
180	AABA000035	270	1.00	1.55
200	AABA000036	300	1.00	1.85
225	AABA000037	337.5	1.00	2.35
250	AABA000038	375	1.00	2.95
275	AABA000039	412.5	1.00	3.55
300	AABA000040	450	1.00	4.20

AABA Pressed bends 45° R=1.5D



Pressed bends 45° R=1.5D

The pressed bends are made of two preformed halves which are longitudinally spot-welded together for use in under-pressure and pressureless systems.

These bends are suitable for the transport of waste materials such as dust and chips but also for the transport of grains and such.

They are only produced in R=1.5D. If a situation requires other radiuses or diameters, please see the segmented bends in this section.

Material

Sendzimir galvanized DX51 DZ 275 MAC.

Type

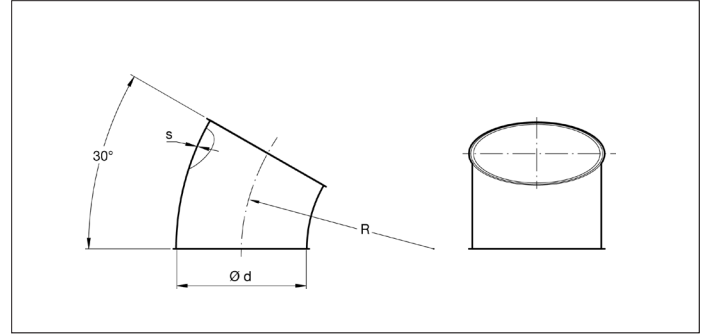
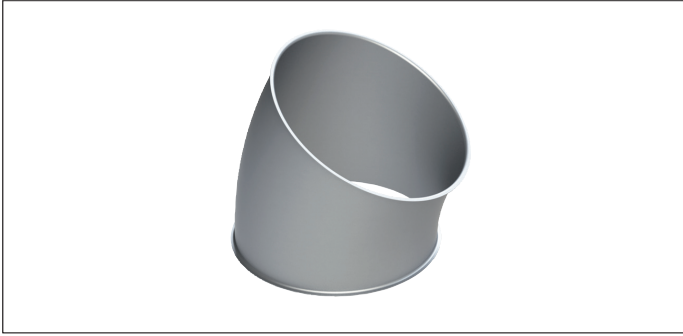
Pressed sheets spot-welded together with 6 mm edges for lock rings.

Options

- other types of edges or connections

Ø d mm	Code	R mm	s mm	Weight kg
80	AABA000057	120	1.00	0.25
100	AABA000058	150	1.00	0.37
120	AABA000059	180	1.00	0.53
125	AABA000145	187.5	1.00	0.58
140	AABA000060	210	1.00	0.70
150	AABA000061	225	1.00	0.80
160	AABA000062	240	1.00	0.90
180	AABA000063	270	1.00	1.15
200	AABA000064	300	1.00	1.40
225	AABA000065	337.5	1.00	1.80
250	AABA000066	375	1.00	2.15
275	AABA000067	412.5	1.00	2.65
300	AABA000068	450	1.00	3.10

AABA Pressed bends 30° R=1.5D



Pressed bends 30° R=1.5D

The pressed bends are made of two preformed halves which are longitudinally spot-welded together for use in under-pressure and pressureless systems.

These bends are suitable for the transport of waste materials such as dust and chips but also for the transport of grains and such.

They are only produced in R=1.5D. If a situation requires other radiuses or diameters, please see the segmented bends in this section.

Material

Sendzimir galvanized DX51 DZ 275 MAC.

Type

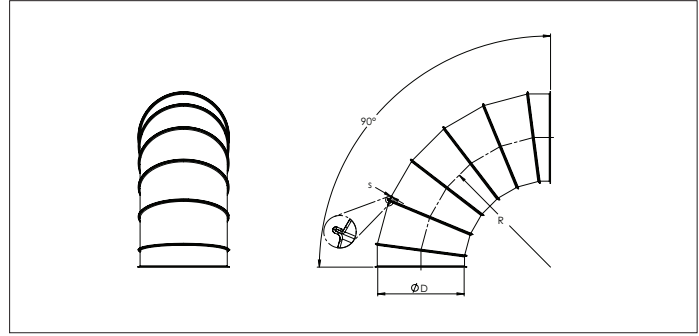
Pressed sheets spot-welded together with 6 mm edges for lock rings.

Options

- other types of edges or connections

Ø d mm	Code	R mm	s mm	Weight kg
80	AABA000085	120	1.00	0.18
100	AABA000086	150	1.00	0.25
120	AABA000087	180	1.00	0.35
125	AABA000147	187.5	1.00	0.38
140	AABA000088	210	1.00	0.48
150	AABA000089	225	1.00	0.55
160	AABA000090	240	1.00	0.60
180	AABA000091	270	1.00	0.77
200	AABA000092	300	1.00	1.00
225	AABA000093	337.5	1.00	1.20
250	AABA000094	375	1.00	1.50
275	AABA000095	412.5	1.00	1.75
300	AABA000096	450	1.00	2.10

AABA Segmented bends 90° R=1.5D



Segmented bends 90° R=1.5D

The segmented bends are composed of stitch-welded segments that are lock-formed together for use in under-pressure and pressureless systems.

As of diameter Ø 225 mm and larger, the intermediate segments are 15°.

These bends are suitable for the transport of waste materials such as dust and chips but also for the transport of grains and such.

They are produced in R=1.5D but other radiuses avec available on request.

Material

Sendzimir galvanized DX51 DZ 275 MAC.

Type

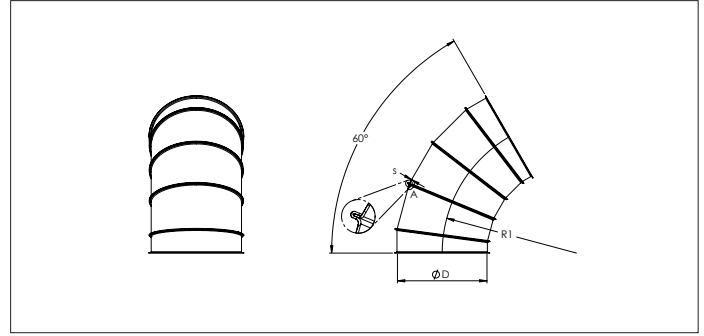
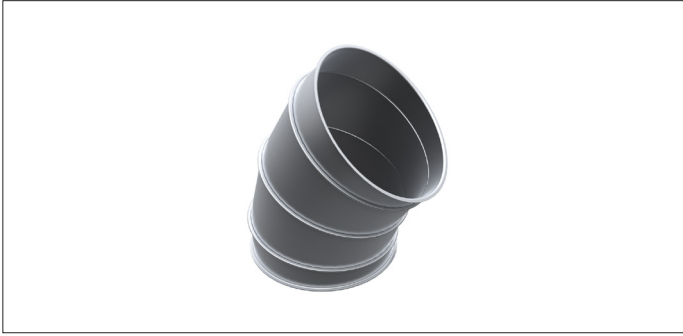
Rolled sheet segments, stitch-welded, and lock-formed together with 6 mm edges for lock rings.

Options

- other diameters
- other radiuses
- other sheet thicknesses depending on diameter
- other types of edges or connections

Ø d mm	Code	Amount of segments	R mm	s mm	Weight kg
140	AABA400001	3 + 2	210	0.88	2.55
150	AABA400002	3 + 2	225	0.88	2.82
160	AABA400003	3 + 2	240	0.88	3.15
180	AABA400004	3 + 2	270	0.88	3.21
200	AABA400005	3 + 2	300	0.88	3.78
225	AABA400006	3 + 2	337.5	0.88	3.89
250	AABA400007	3 + 2	375	0.88	3.84
275	AABA400008	3 + 2	412.5	0.88	5.01
280	AABA000142	3 + 2	420	0.88	5.09
315	AABA000013	3 + 2	472.5	0.88	6.30
350	AABA000014	3 + 2	525	0.88	7.90
400	AABA000015	3 + 2	600	0.88	10.10
450	AABA000016	5 + 2	675	0.88	12.90
500	AABA000017	5 + 2	750	0.88	16.30
550	AABA000018	5 + 2	825	0.88	18.70
600	AABA000019	5 + 2	900	0.88	22.80
630	AABA000020	5 + 2	945	0.88	25.00
650	AABA000021	5 + 2	975	0.88	26.70
700	AABA000151	5 + 2	1050	1.00	30.70
750	AABA000152	5 + 2	1125	1.00	34.90
800	AABA000153	5 + 2	1200	1.00	39.60
850	AABA000154	5 + 2	1275	1.00	44.60
900	AABA000155	5 + 2	1350	1.00	58.94
950	AABA000156	5 + 2	1425	1.00	64.52
1000	AABA000157	5 + 2	1500	1.00	63.40

AABA Segmented bends 60° R=1.5D



Segmented bends 60° R=1.5D

The segmented bends are composed of stitch-welded segments that are lock-formed together for use in under-pressure and pressureless systems.

As of diameter Ø 225 mm and larger, the intermediate segments are 15°.

These bends are suitable for the transport of waste materials such as dust and chips but also for the transport of grains and such.

They are produced in R=1.5D but other radiuses are available on request.

Material

Sendzimir galvanized DX51 DZ 275 MAC.

Type

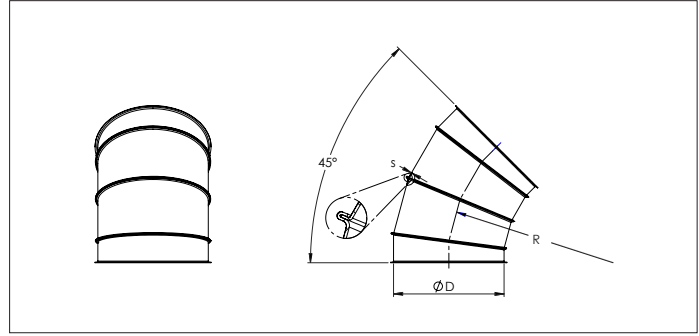
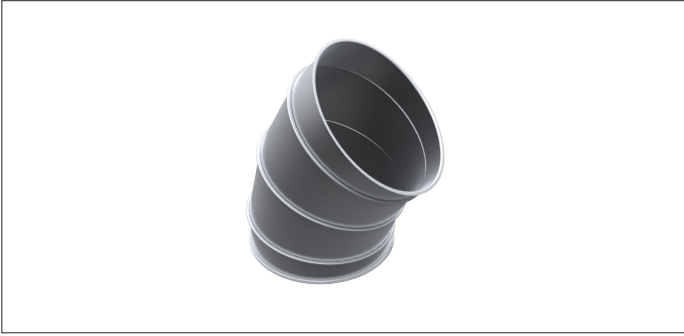
Rolled sheet segments, stitch-welded, and lock-formed together with 6 mm edges for lock rings.

Options

- other diameters
- other radiuses
- other sheet thicknesses depending on diameter
- other types of edges or connections

Ø d mm	Code	Amount of segments	R mm	s mm	Weight kg
140	AABA400010	2 + 2	210	0.88	1.68
150	AABA400011	2 + 2	225	0.88	1.86
160	AABA400012	2 + 2	240	0.88	2.08
180	AABA400013	2 + 2	270	0.88	2.12
200	AABA400014	2 + 2	300	0.88	2.49
225	AABA400015	2 + 2	337.5	0.88	2.57
250	AABA400016	2 + 2	375	0.88	2.53
275	AABA400017	2 + 2	412.5	0.88	3.30
280	AABA000144	2 + 2	420	0.88	3.45
315	AABA000041	2 + 2	472.5	0.88	4.30
350	AABA000042	2 + 2	525	0.88	5.40
400	AABA000043	2 + 2	600	0.88	6.80
450	AABA000044	3 + 2	675	0.88	8.70
500	AABA000045	3 + 2	750	0.88	10.60
550	AABA000046	3 + 2	825	0.88	12.70
600	AABA000047	3 + 2	900	0.88	15.40
630	AABA000048	3 + 2	945	0.88	16.90
650	AABA000049	3 + 2	975	0.88	18.00
700	AABA000158	3 + 2	1050	1.00	20.80
750	AABA000159	3 + 2	1125	1.00	23.60
800	AABA000160	3 + 2	1200	1.00	24.80
850	AABA000161	3 + 2	1275	1.00	26.83
900	AABA000162	3 + 2	1350	1.00	29.96
950	AABA000163	3 + 2	1425	1.00	33.52
1000	AABA000164	3 + 2	1500	1.00	42.48

AABA Segmented bends 45° R=1.5D



Segmented bends 45° R=1.5D

The segmented bends are composed of stitch-welded segments that are lock-formed together for use in under-pressure and pressureless systems.

As of diameter Ø 225 mm and larger, the intermediate segments are 15°.

These bends are suitable for the transport of waste materials such as dust and chips but also for the transport of grains and such. Recommended use in underpressure installations.

They are produced in R=1.5D but other radiuses avec available on request.

Material

Sendzimir galvanized DX51 DZ 275 MAC.

Type

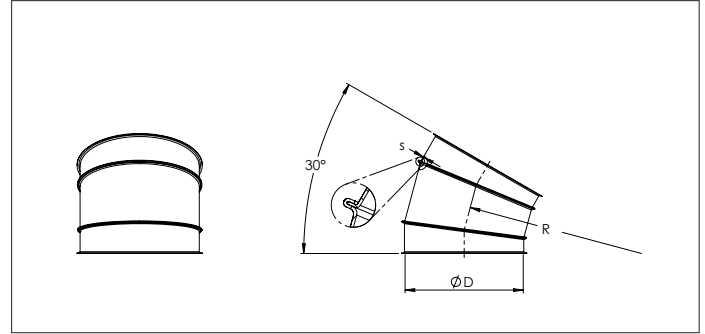
Rolled sheet segments, stitch-welded, and lock-formed together with 6 mm edges for lock rings.

Options

- other diameters
- other radiuses
- other sheet thicknesses depending on diameter
- other types of edges or connections

Ø d mm	Code	Amount of segments	R mm	s mm	Weight kg
140	AABA400019	1 + 2	210	0.88	1.28
150	AABA400020	1 + 2	225	0.88	1.41
160	AABA400021	1 + 2	240	0.88	1.58
180	AABA400022	1 + 2	270	0.88	1.61
200	AABA400023	1 + 2	300	0.88	1.89
225	AABA400024	1 + 2	337.5	0.88	1.95
250	AABA400025	1 + 2	375	0.88	1.92
275	AABA400026	1 + 2	412.5	0.88	2.51
280	AABA000146	1 + 2	420	0.88	2.60
315	AABA000069	1 + 2	472.5	0.88	3.50
350	AABA000070	1 + 2	525	0.88	4.00
400	AABA000071	1 + 2	600	0.88	5.20
450	AABA000072	2 + 2	675	0.88	6.60
500	AABA000073	2 + 2	750	0.88	8.10
550	AABA000074	2 + 2	825	0.88	9.70
600	AABA000075	2 + 2	900	0.88	11.70
630	AABA000076	2 + 2	945	0.88	12.80
650	AABA000077	2 + 2	975	0.88	13.60
700	AABA000165	2 + 2	1050	1.00	15.70
750	AABA000166	2 + 2	1125	1.00	18.00
800	AABA000167	2 + 2	1200	1.00	20.10
850	AABA000168	2 + 2	1275	1.00	22.30
900	AABA000169	2 + 2	1350	1.00	25.50
950	AABA000170	2 + 2	1425	1.00	32.24
1000	AABA000171	2 + 2	1500	1.00	32.44

AABA Segmented bends 30° R=1.5D



Segmented bends 30° R=1.5D

The segmented bends are composed of stitch-welded segments that are lock-formed together for use in under-pressure and pressureless systems.

As of diameter \varnothing 225 mm and larger, the intermediate segments are 15°.

These bends are suitable for the transport of waste materials such as dust and chips but also for the transport of grains and such. Recommended use in underpressure installations.

They are produced in R=1.5D but other radiuses avec available on request.

Material

Sendzimir galvanized DX51 DZ 275 MAC.

Type

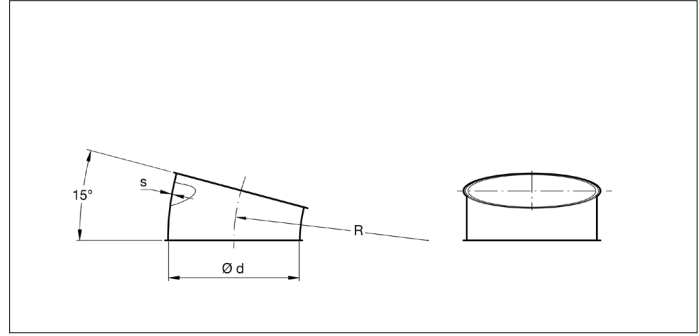
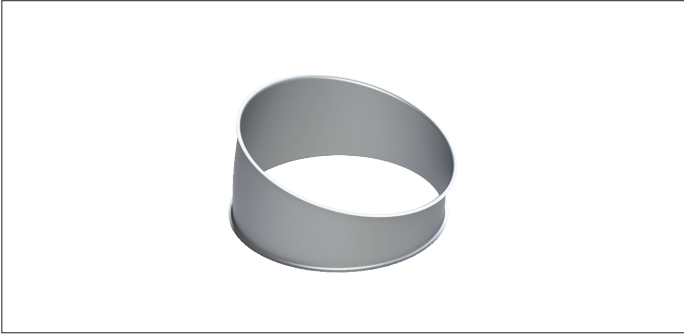
Rolled sheet segments, stitch-welded, and lock-formed together with 6 mm edges for lock rings.

Options

- other diameters
- other radiuses
- other sheet thicknesses depending on diameter
- other types of edges or connections

\varnothing d mm	Code	Amount of segments	R mm	s mm	Weight kg
140	AABA400028	1 + 2	210	0.88	0.84
150	AABA400029	1 + 2	225	0.88	0.93
160	AABA400030	1 + 2	240	0.88	1.04
180	AABA400031	1 + 2	270	0.88	1.06
200	AABA400032	1 + 2	300	0.88	1.25
225	AABA400033	1 + 2	337.5	0.88	1.28
250	AABA400034	1 + 2	375	0.88	1.27
275	AABA400035	1 + 2	412.5	0.88	1.65
280	AABA000148	1 + 2	420	0.88	1.90
315	AABA000097	1 + 2	472.5	0.88	2.70
350	AABA000098	1 + 2	525	0.88	2.80
400	AABA000099	1 + 2	600	0.88	3.60
450	AABA000100	1 + 2	675	0.88	4.50
500	AABA000101	1 + 2	750	0.88	5.50
550	AABA000102	1 + 2	825	0.88	6.60
600	AABA000103	1 + 2	900	0.88	7.90
630	AABA000104	1 + 2	945	0.88	8.70
650	AABA000105	1 + 2	975	0.88	9.20
700	AABA000172	1 + 2	1050	1.00	10.60
750	AABA000173	1 + 2	1125	1.00	12.10
800	AABA000174	1 + 2	1200	1.00	13.80
850	AABA000175	1 + 2	1275	1.00	15.50
900	AABA000176	1 + 2	1350	1.00	17.40
950	AABA000177	1 + 2	1425	1.00	19.50
1000	AABA000178	1 + 2	1500	1.00	21.37

AABA Segmented bends 15° R=1.5D



Segmented bends 15° R=1.5D

The segmented bends are composed of stitch-welded segments for use in under-pressure and pressureless systems.

These bends are suitable for the transport of waste materials such as dust and chips but also for the transport of grains and such.

They are produced in R=1.5D but other radiuses avec available on request.

Material

Sendzimir galvanized DX51 DZ 275 MAC.

Type

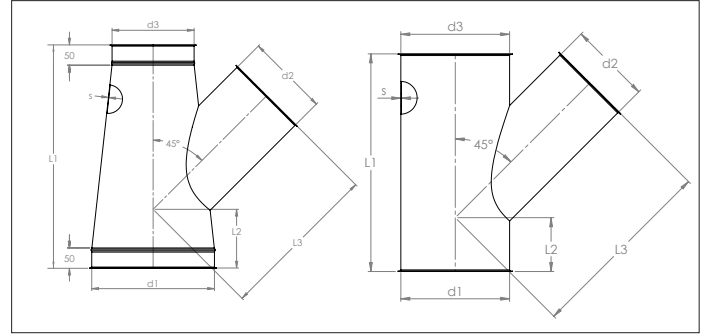
Rolled sheet segments, stitch-welded with 6 mm edges for lock rings.

Options

- other diameters
- other radiuses
- other sheet thicknesses depending on diameter
- other types of edges or connections

Ø d mm	Code	Amount of segments	R mm	s mm	Weight kg
80	AABA000113	1	120	0.88	0.08
100	AABA000114	1	150	0.88	0.11
120	AABA000115	1	180	0.88	0.16
125	AABA000149	1	187.5	0.88	0.17
140	AABA000116	1	210	0.88	0.21
150	AABA000117	1	225	0.88	0.23
160	AABA000118	1	240	0.88	0.26
180	AABA000119	1	270	0.88	0.33
200	AABA000120	1	300	0.88	0.40
225	AABA000121	1	337.5	0.88	0.50
250	AABA000122	1	375	0.88	0.60
275	AABA000123	1	412.5	0.88	0.90
280	AABA000150	1	420	0.88	0.92
300	AABA000124	1	450	0.88	1.00
315	AABA000125	1	472.5	0.88	1.10
350	AABA000126	1	525	0.88	1.40
400	AABA000127	1	600	0.88	1.80
450	AABA000128	1	675	0.88	2.20
500	AABA000129	1	750	0.88	2.70
550	AABA000130	1	825	0.88	3.30
600	AABA000131	1	900	0.88	3.80
630	AABA000132	1	945	0.88	4.20
650	AABA000133	1	975	0.88	4.50
700	AABA000179	1	1050	1.00	5.20
750	AABA000180	1	1125	1.00	5.90
800	AABA000181	1	1200	1.00	6.70
850	AABA000182	1	1275	1.00	7.70
900	AABA000183	1	1350	1.00	8.60
950	AABA000184	1	1425	1.00	9.60
1000	AABA000185	1	1500	1.00	10.94

AACA Branches at 45°



AACA Branches at 45°

Branches are longitudinally stitch-welded with a spot-welded side branch for use in overpressure, under-pressure and pressureless systems.

All our conical branches are produced so that all types of rings can be used to mount them.

The table below will indicate the total length L1 depending on the diameter ØD2 of the side branch.

! Side branch ØD2 can never be bigger than half the sum of ØD1 and D3.

Material

Sendzimir galvanized DX51 DZ 275 MAC, and Vergacol sealant.

Type

Rolled stitch-welded sheets with 6 mm edges for lock rings. Branch piece spot-welded on body with Tersotat for airtightness.

Options

- other diameters
- other sheet thicknesses depending on diameter and length
- other types of edges or connections

ØD1 mm	ØD2 mm	ØD3 mm	L1 mm	L2 mm	L3 mm	s mm
	80		300			0.88
	100		300			0.88
	120		350			0.88
	125		350			0.88
	140		350			0.88
	150		400			0.88
	160		400			0.88
	175		400			0.88
	180		400			0.88
	200		450			0.88
	220		500			0.88
	224		500			0.88
	225		500			0.88
	250		500			0.88
	275		600			0.88
	280		600			0.88
	300		600			0.88
	315		600			0.88
	350		700			0.88
	355		800			0.88
	400		800			0.88
	425		900			0.88
	450		950			0.88
	475		950			0.88
	500		950			0.88
	550		1.050			0.88
	560		1.050			0.88
	600		1.150			0.88
	630		1.150			0.88
	650		1.150			0.88
	700		1.300			1.00
	710		1.300			1.00
	750		1.300			1.00
	800		1.450			1.00
	850		1.450			1.00
	900		1.650			1.00
	950		1.700			1.00
	1.000		1.800			1.00

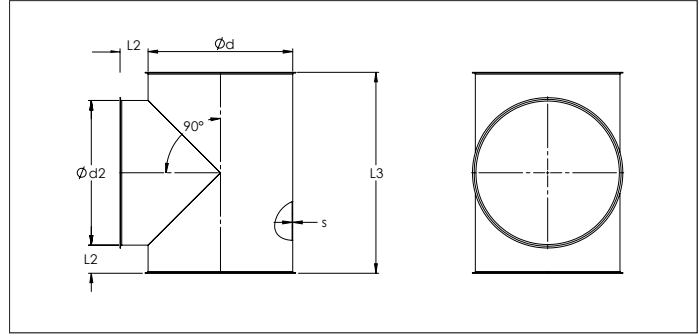
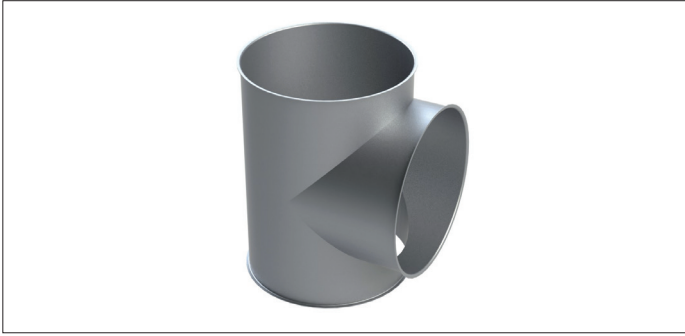
User choices from standard or modified diameters

User choices from standard or modified diameters

To be calculated with the CPQ tool or other dedicated tool

To be calculated with the CPQ tool or other dedicated tool

AACB T-branches at 90°



AACB T-branches at 90°

T-branches are longitudinally stitch-welded with a spot-welded side branch for use in overpressure, under-pressure and pressureless systems.

Dimensions below are for T-branches with three same diameters. For T-branches having a smaller side branch, please note that L3 is as follows :

- side branch up to Ø200, L3 = Ød2 + 2 x 75 mm
- side branch Ø225 to Ø400, L3 = Ød2 + 2 x 100 mm
- side branch Ø450 to Ø650, L3 = Ød2 + 2 x 150 mm
- side branch as of Ø700, L3 = Ød2 + 2 x 200 mm

Material

Sendzimir galvanized DX51 DZ 275 MAC, and Vergacol sealant.

Type

Rolled stitch-welded sheets with 6 mm edges for lock rings.
Branch piece spot-welded on body with Tersotat for airtightness.

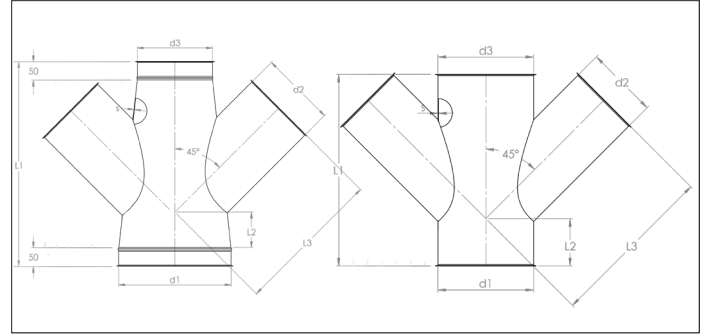
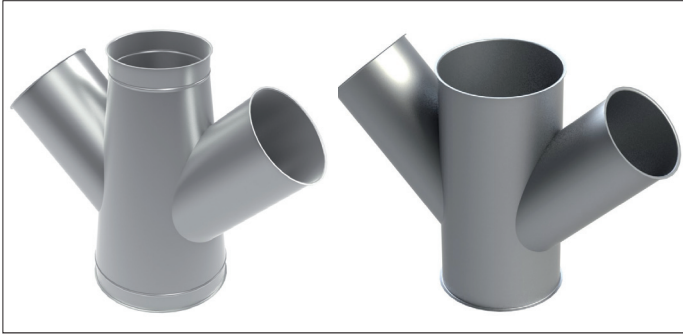
Options

- other diameters
- other sheet thicknesses depending on diameter and length
- other types of edges or connections

! Side branch Ød2 can never be bigger than Ød.

Ød	Code	Ø d2 mm	L2 mm	L3 mm	s mm	Weight kg
80	AACB000001	80	75	230	0.88	0.56
100	AACB000002	100	75	250	0.88	0.74
120	AACB000003	120	75	270	0.88	0.93
125	AACB000029	125	75	275	0.88	0.98
140	AACB000004	140	75	290	0.88	1.13
150	AACB000005	150	75	300	0.88	1.24
160	AACB000006	160	75	310	0.88	1.35
180	AACB000007	180	75	330	0.88	1.59
200	AACB000008	200	75	350	0.88	1.84
225	AACB000009	225	100	425	0.88	2.54
250	AACB000010	250	100	450	0.88	2.94
275	AACB000011	275	100	475	0.88	3.36
280	AACB000030	280	100	475	0.88	3.44
300	AACB000012	300	100	500	0.88	3.80
315	AACB000013	315	100	515	0.88	4.08
350	AACB000014	350	100	550	0.88	4.76
400	AACB000015	400	100	600	0.88	5.81
450	AACB000016	450	150	750	0.88	8.41
500	AACB000017	500	150	800	0.88	9.83
550	AACB000018	550	150	850	0.88	11.30
600	AACB000019	600	150	900	0.88	12.91
630	AACB000020	630	150	930	0.88	13.88
650	AACB000021	650	150	950	0.88	14.60
700	AACB000031	700	200	1100	0.88	18.63
750	AACB000032	750	200	1150	0.88	20.66
800	AACB000033	800	200	1200	0.88	22.78
850	AACB000034	850	200	1250	0.88	25.00
900	AACB000035	900	200	1300	0.88	27.31
950	AACB000036	950	200	1350	0.88	30.04
1000	AACB000037	1000	200	1400	0.88	32.61

AACC Double branches at 45°



AACC Double branches at 45°

Double branches are longitudinally stitch-welded with a spot-welded side branch for use in overpressure, under-pressure and pressureless systems.

All our conical branches are produced so that all types of rings can be used to mount them.

The table below will indicate the total length L1 depending on the diameter ØD2 of the side branch.

! Side branch ØD2 can never be bigger than half the sum of ØD1 and D3.

Material

Sendzimir galvanized DX51 DZ 275 MAC, and Vergacol sealant.

Type

Rolled stitch-welded sheets with 6 mm edges for lock rings. Branch piece spot-welded on body with Tersotat for airtightness.

Options

- other diameters
- other sheet thicknesses depending on diameter and length
- other types of edges or connections

ØD1 mm	ØD2 mm	ØD3 mm	L1 mm	L2 mm	L3 mm	s mm
	80		300			0.88
	100		300			0.88
	120		350			0.88
	125		350			0.88
	140		350			0.88
	150		400			0.88
	160		400			0.88
	175		400			0.88
	180		400			0.88
	200		450			0.88
	220		500			0.88
	224		500			0.88
	225		500			0.88
	250		500			0.88
	275		600			0.88
	280		600			0.88
	300		600			0.88
	315		600			0.88
	350		700			0.88
	355		800			0.88
	400		800			0.88
	425		900			0.88
	450		950			0.88
	475		950			0.88
	500		950			0.88
	550		1.050			0.88
	560		1.050			0.88
	600		1.150			0.88
	630		1.150			0.88
	650		1.150			0.88
	700		1.300			0.88
	710		1.300			0.88
	750		1.300			0.88
	800		1.450			0.88
	850		1.450			0.88
	900		1.650			0.88
	950		1.700			0.88
	1.000		1.800			0.88

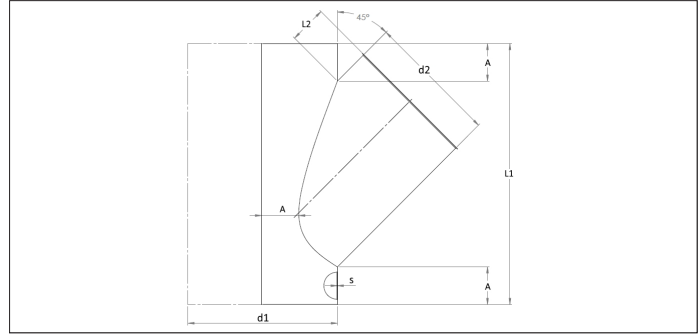
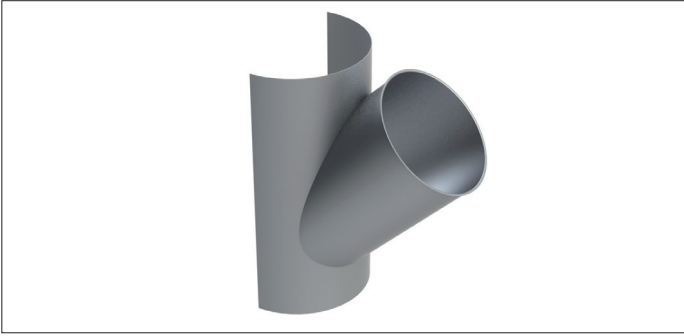
User choices from standard or modified diameters

User choices from standard or modified diameters

To be calculated with the CPQ tool or other dedicated tool

To be calculated with the CPQ tool or other dedicated tool

AACD Branch plates at 45°



AACD Branch plates at 45°

Branches are longitudinally stitch-welded with a spot-welded side branch for use in overpressure, under-pressure and pressureless systems.

Material

Sendzimir galvanized DX51 DZ 275 MAC, and Vergacol sealant.

Type

Rolled stitch-welded sheets with 6 mm edges for lock rings.
Branch piece spot-welded on body with Tersotat for airtightness.

Options

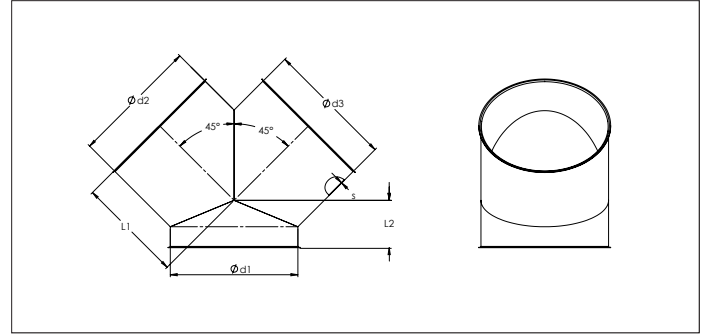
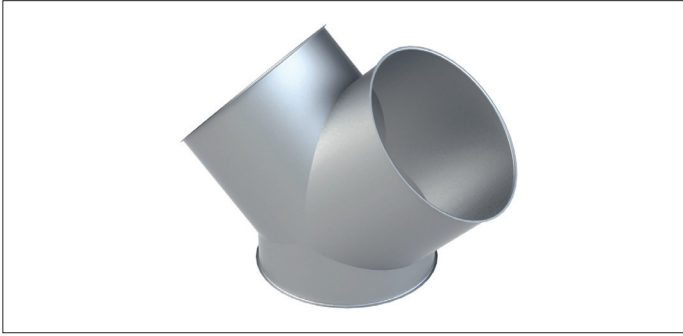
- other diameters
- other sheet thicknesses depending on diameter and length
- other types of edges or connections

! Side branch ØD2 can never be bigger ØD1.

ØD1 mm	ØD2 mm	L1 mm	L2 mm	A mm	s mm
	80	213	136	50	0.88
	100	241	118	50	0.88
	120	270	130	50	0.88
	125	277	125	50	0.88
	140	298	110	50	0.88
	150	312	135	50	0.88
	160	326	125	50	0.88
	175	347	110	50	0.88
	180	355	105	50	0.88
	200	383	120	50	0.88
	220	411	135	50	0.88
	224	417	131	50	0.88
	225	418	130	50	0.88
	250	554	105	100	0.88
	275	589	150	100	0.88
	280	596	145	100	0.88
	300	624	125	100	0.88
	315	645	111	100	0.88
	350	695	146	100	0.88
	355	702	211	100	0.88
	400	766	166	100	0.88
	425	801	214	100	0.88
	450	836	224	100	0.88
	475	872	199	100	0.88
	500	907	174	100	0.88
	550	978	194	100	0.88
	560	992	184	100	0.88
	600	1049	215	100	0.88
	630	1091	185	100	0.88
	650	1119	165	100	0.88
	700	1190	221	100	0.88
	710	1204	211	100	0.88
	750	1261	171	100	0.88
	800	1331	227	100	0.88
	850	1402	176	100	0.88
	900	1473	268	100	0.88
	950	1544	253	100	0.88
	1000	1614	274	100	0.88

User choices from standard or modified diameters

AACE Trousers at 45°



AACE Trousers at 45°

Trousers are longitudinally stitch-welded pipe pieces spot-welded together for use in overpressure, under-pressure and pressureless systems.

Material

Sendzimir galvanized DX51 DZ 275 MAC, and Vergacol sealant.

Type

Rolled stitch-welded sheets with 6 mm edges for lock rings. Branch piece spot-welded on body with Tersotat for airtightness.

Options

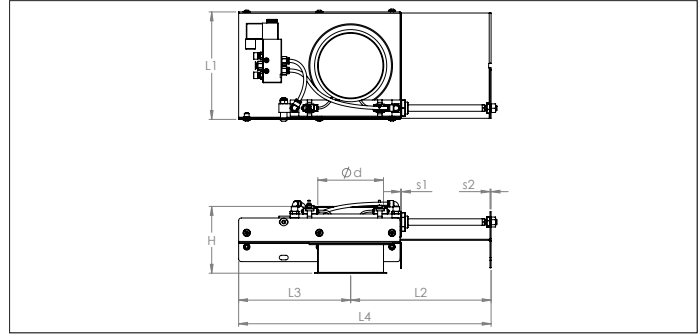
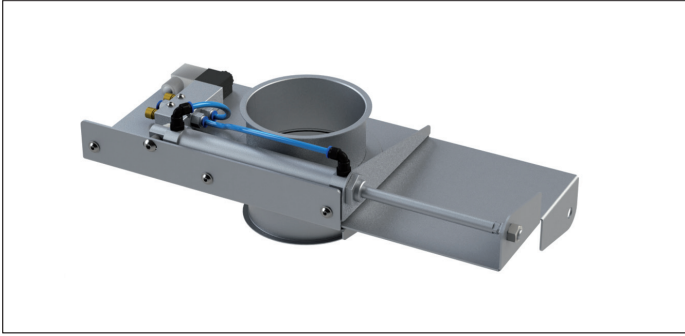
- other diameters
- other sheet thicknesses depending on diameter and length
- other types of edges or connections

! Side branch Ød2 and Ød3 can never be bigger than ØD1.

! Side branch Ød2 and Ød3 have to be the same sizes.

Ø	Code	Ø d2/d3 mm	L1 mm	L2 mm	s mm	Weight kg
80	AACE000001	80	140	67	0.88	0.75
100	AACE000002	100	150	71	0.88	0.96
120	AACE000003	120	160	75	0.88	1.18
125	AACE000029	125	163	76	0.88	1.24
140	AACE000004	140	170	79	0.88	1.41
150	AACE000005	150	175	81	0.88	1.53
160	AACE000006	160	180	83	0.88	1.66
180	AACE000007	180	190	87	0.88	1.91
200	AACE000008	200	200	91	0.88	2.18
225	AACE000009	225	213	97	0.88	2.52
250	AACE000010	250	225	102	0.88	2.89
275	AACE000011	275	238	107	0.88	3.27
280	AACE000030	280	238	107	0.88	3.35
300	AACE000012	300	250	115	0.88	3.67
315	AACE000013	315	258	115	0.88	3.92
350	AACE000014	350	275	122	0.88	4.52
400	1AACE00015	400	300	133	0.88	5.44
450	AACE000016	450	325	143	0.88	6.42
500	AACE000017	500	350	154	0.88	7.48
550	AACE000018	550	375	164	0.88	8.61
600	AACE000019	600	400	174	0.88	9.80
630	AACE000020	630	415	180	0.88	10.55
650	AACE000021	650	425	185	0.88	11.07
700	AACE000031	700	450	195	1.00	12.40
750	AACE000032	750	475	205	1.00	13.80
800	AACE000033	800	500	216	1.00	15.27
850	AACE000034	850	525	226	1.00	16.81
900	AACE000035	900	550	236	1.00	18.42
950	AACE000036	950	575	247	1.00	20.10
1000	AACE000037	1000	600	257	1.00	22.02

AADA Pneumatic sliding dampers



AADA Pneumatic sliding dampers

The AADA sliding dampers are activated by pneumatic cylinders and monostable solenoid valve, the airtightness is achieved up to Ø200 mm with two gaskets sets (EPDM and PEHD) but with only one plastic gasket set as of Ø225 mm. The plastic seal can be replaced

Type

Rolled, folded and welded sheets with 6 mm edges for lock rings.
Ø 80 up to Ø 160 mm : 1 cylinder.
Ø 180 up to Ø 500 mm : 2 cylinders.

The use of the AADA pneumatic sliding dampers in under-pressure and pressureless systems optimizes the installation and allows that only the machines needed are used and for lower running costs.

Options

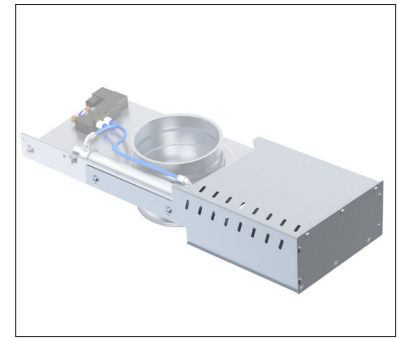
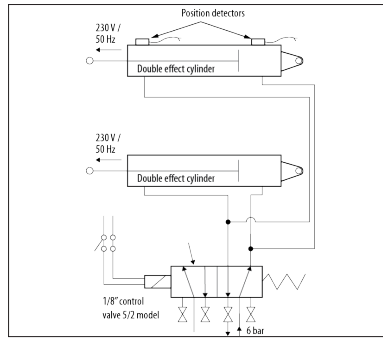
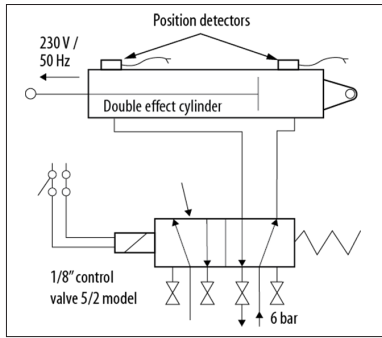
- Teflon instead of plastic gaskets
- cover house
- reed contacts (5/250 V AC- DC - IP 67)
- other types of solenoid valves (bistable, manual, ATEX)
- double pneumatic cylinders (Ø 80 up to Ø 160 mm)
- other types of cylinders (high temperature, ATEX)

Material

Electro-galvanized blacksteel (10µm) with EPDM and PEHD seals.

⚠ Please state the voltage when ordering:
24 V AC, 24 V DC, 220 V AC.

⚠ Max. air pressure in solenoid valve : 8 Bar
Use only oil free dry air



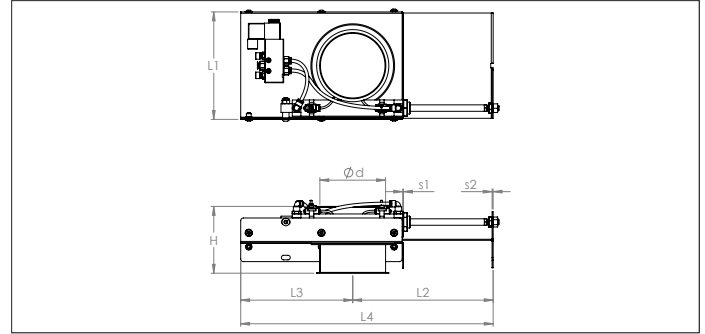
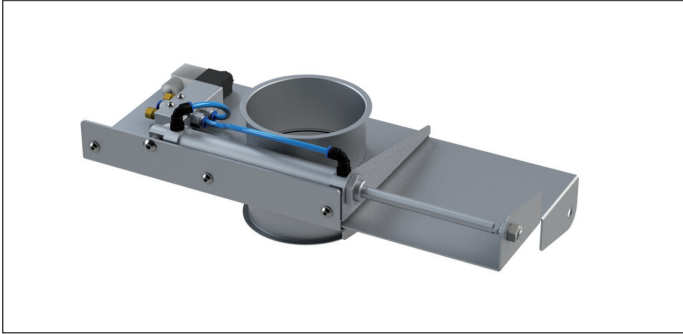
Connection of a linear pneumatic cylinder for pneumatic sliding dampers diameter Ø 80 up to Ø 160 mm.

Connection of two linear pneumatic cylinders for pneumatic sliding damper diameter as of Ø 180 mm.

Pneumatic sliding damper cover house option.

Ø	Code	L1 mm	L2 mm	L3 mm	L4 mm	H mm	S1 mm	S2 mm	Weight kg
80	AADA000168	157	195	150	345	125	1.50	2.00	2.95
100	AADA000139	177	225	180	405	125	1.50	2.00	3.52
120	AADA000170	200	263	217	480	125	1.50	2.00	4.26
125	AADA000171	200	263	217	480	125	1.50	2.00	4.27
140	AADA000172	225	300	255	555	125	1.50	2.00	5.08
150	AADA000173	225	300	255	555	125	1.50	2.00	5.09
160	AADA000174	235	314	270	584	125	1.50	2.00	5.44
180	AADA000175	276	375	330	705	125	1.50	2.00	7.43
200	AADA000176	276	375	330	705	125	1.50	2.00	7.46
225	AADA000177	345	452	405	857	165	2.00	3.00	13.30
250	AADA000178	370	454	405	859	165	2.00	3.00	13.30
275	AADA000179	421	546	513	1058	165	2.00	3.00	19.70
280	AADA000180	421	546	513	1058	165	2.00	3.00	19.70
300	AADA000181	421	546	513	1058	165	2.00	3.00	20.60
315	AADA000182	436	546	513	1058	165	2.00	3.00	20.60
350	AADA000183	473	607	635	1162	165	2.00	3.00	27.90
400	AADA000184	521	682	635	1316	165	2.00	3.00	40.90
450	AADA000185	622	770	721	1491	224	3.00	4.00	59.50
500	AADA000186	672	845	790	1635	224	3.00	4.00	67.80

AADA FESTO Pneumatic sliding dampers



AADA FESTO Pneumatic sliding dampers

The AADA sliding dampers are activated by pneumatic FESTO cylinders and monostable solenoid valve, the airtightness is achieved up to Ø200 mm with two gaskets sets (EPDM and PEHD) but with only one plastic gasket set as of Ø225 mm. The plastic seal can be replaced by Teflon depending on the temperature.

The use of the AADA pneumatic sliding dampers in under-pressure and pressureless systems optimizes the installation and allows that only the machines needed are used and for lower running costs.

Material

Electro-galvanized blacksteel (10µm) with EPDM and PEHD seals.

! Please state the voltage when ordering:
24 V AC, 24 V DC, 220 V AC.

Type

Rolled, folded and welded sheets with 6 mm edges for lock rings.
Ø 80 up to Ø 160 mm : 1 cylinder.
Ø 180 up to Ø 500 mm : 2 cylinders.

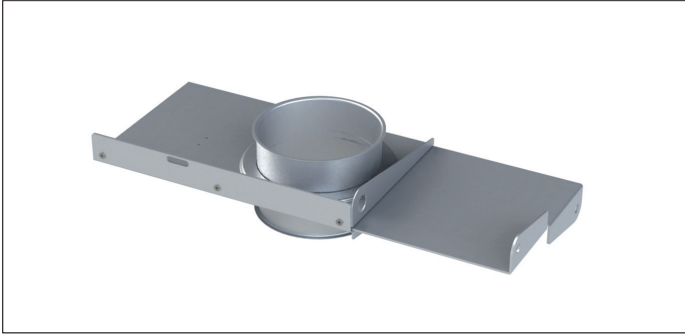
Options

- Teflon instead of plastic gaskets
- cover house
- reed contacts (5/250 V AC- DC - IP 67)
- other Types of solenoid valves (bistable, manual, ATEX)
- double pneumatic cylinders (Ø 80 up to Ø 160 mm)
- other Types of cylinders (high temperature, ATEX)

! Max. air pressure in solenoid valve : 8 Bar
Use only oil free dry air

Ø	Code	L1 mm	L2 mm	L3 mm	L4 mm	H mm	S1 mm	S2 mm	Weight kg
80	AADA400049	157	195	150	345	125	1.50	2.00	2.95
100	AADA400050	177	225	180	405	125	1.50	2.00	3.52
120	AADA400051	200	263	217	480	125	1.50	2.00	4.26
125	AADA400052	200	263	217	480	125	1.50	2.00	4.27
140	AADA400053	225	300	255	555	125	1.50	2.00	5.08
150	AADA400054	225	300	255	555	125	1.50	2.00	5.09
160	AADA400055	235	314	270	584	125	1.50	2.00	5.44
180	AADA400056	276	375	330	705	125	1.50	2.00	7.43
200	AADA400057	276	375	330	705	125	1.50	2.00	7.46
225	AADA400058	345	452	405	857	165	2.00	3.00	13.30
250	AADA400059	370	454	405	859	165	2.00	3.00	13.30
275	AADA400060	421	546	513	1058	165	2.00	3.00	19.70
280	AADA400061	421	546	513	1058	165	2.00	3.00	19.70
300	AADA400062	421	546	513	1058	165	2.00	3.00	20.60
315	AADA400063	436	546	513	1058	165	2.00	3.00	20.60
350	AADA400064	473	607	635	1162	165	2.00	3.00	27.90
400	AADA400065	521	682	635	1316	165	2.00	3.00	40.90
450	AADA400066	622	770	721	1491	224	3.00	4.00	59.50
500	AADA400067	672	845	790	1635	224	3.00	4.00	67.80
550	AADA400068	771	977	890	1867	226	3.00	4.00	82.54
600	AADA400069	780	1032	945	1977	226	3.00	4.00	85.03
630	AADA400070	828	1058	1044	2130	226	3.00	4.00	96.94
650	AADA400072	828	1083	1044	2128	226	3.00	4.00	95.55
700	AADA400071	891	1186	1140	2326	226	3.00	4.00	109.97

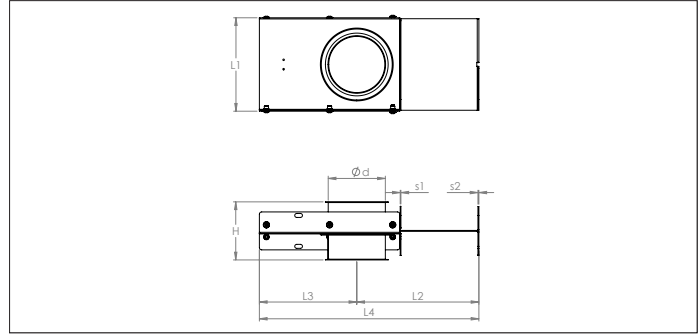
AADS Sliding dampers ready for pneumatics



AADS Sliding dampers ready for pneumatics

The AADS sliding dampers can be used as manual sliding dampers but can be operated by one or two pneumatic cylinders for use in under-pressure and pressureless systems.

The airtightness is achieved up to Ø 200 mm with two gaskets sets (EPDM and PEHD) but with only one plastic gasket set as of Ø 225 mm. The plastic seal can be replaced by Teflon depending on the temperature.



Material

Electro-galvanized blacksteel (10µm) with EPDM and PEHD seals.

Type

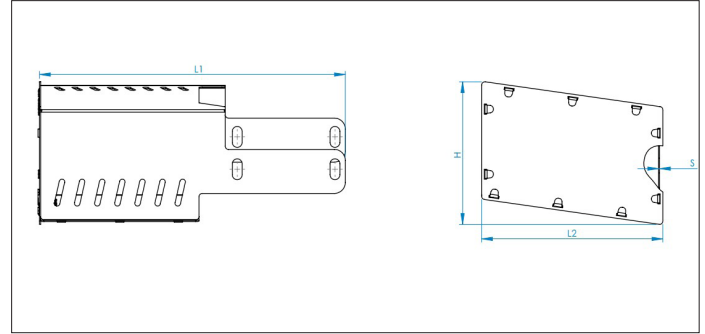
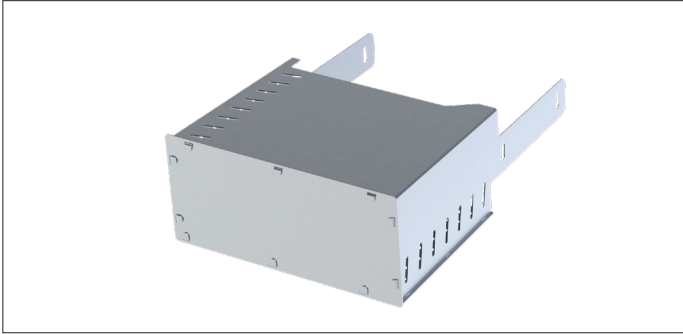
Rolled, folded and welded sheets with 6 mm edges for lock rings.

Options

- Teflon instead of plastic gaskets

Ø	Code	L1 mm	L2 mm	L3 mm	L4 mm	H mm	S1 mm	S2 mm	Weight kg
80	AADS000001	157	195	150	345	125	1.50	2.00	2.34
100	AADS000002	177	225	180	405	125	1.50	2.00	2.89
120	AADS000003	200	263	217	480	125	1.50	2.00	3.60
125	AADS000021	200	263	217	480	125	1.50	2.00	3.61
140	AADS000004	225	300	255	555	125	1.50	2.00	4.39
150	AADS000005	225	300	255	555	125	1.50	2.00	4.40
160	AADS000006	235	314	270	584	125	1.50	2.00	4.73
180	AADS000007	276	375	330	705	125	1.50	2.00	6.17
200	AADS000008	276	375	330	705	125	1.50	2.00	6.18
225	AADS000009	345	452	405	857	165	2.00	3.00	13.30
250	AADS000010	370	454	405	859	165	2.00	3.00	13.30
275	AADS000011	421	546	513	1058	165	2.00	3.00	19.70
280	AADS000022	421	546	513	1058	165	2.00	3.00	19.70
300	AADS000012	421	546	513	1058	165	2.00	3.00	20.60
315	AADS000013	436	546	513	1058	165	2.00	3.00	20.60
350	AADS000014	473	607	635	1162	165	2.00	3.00	27.90
400	AADS000015	521	682	635	1316	165	2.00	3.00	40.90
450	AADS000016	622	770	721	1491	224	3.00	4.00	59.50
500	AADS000017	672	845	790	1635	224	3.00	4.00	67.80
550	AADS000018	771	977	890	1867	226	3.00	4.00	72.81
600	AADS000019	780	1032	945	1977	226	3.00	4.00	74.80
630	AADS000020	828	1058	1044	2130	226	3.00	4.00	86.31
650	AADS000023	828	1083	1044	2128	226	3.00	4.00	84.92
700	AADS000024	891	1186	1140	2326	226	3.00	4.00	98.24

AADF Cover houses for AADA sliding dampers



AADF cover houses for AADA sliding dampers
Cover houses for pneumatic sliding dampers, for protection against the moving parts attached with bolts/nuts onto the damper body.

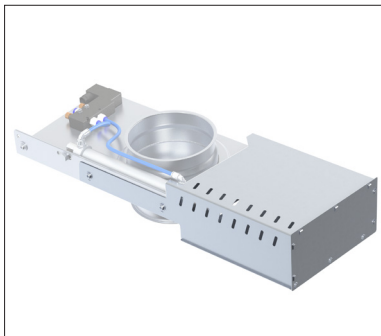
Produced in 1 mm sendzimir galvanized sheet metal (1.5 mm as of Ø 500 mm).

As of Ø 180 mm the protection houses offer space for 2 pneumatic cylinders.

Material
Sendzimir galvanized DX51 DZ 275 MAC.

Type
Laser cut sheets assembled together.

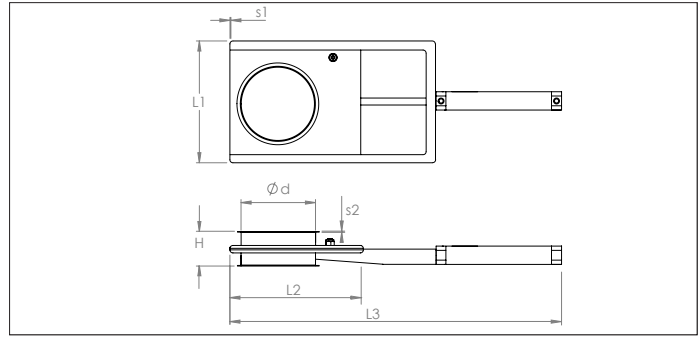
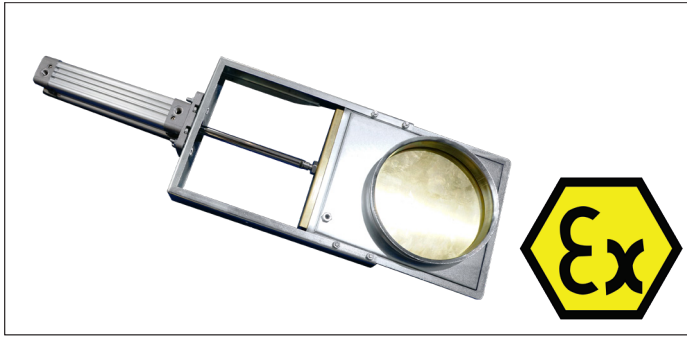
Options
- other sheet thickness
- other materials



Cover house mounted on pneumatic sliding damper.

Ø	Code	L1 mm	L2 mm	H mm	s mm	Weight kg
80	AADF000001	280	166	130	1.00	0.82
100	AADF000002	320	186	132	1.00	0.96
120 / 125	AADF000003	380	209	236	1.00	1.20
140 / 150	AADF000005	430	234	139	1.00	1.45
160	AADF000006	455	244	141	1.00	1.57
180 / 200	AADF000008	534	285	131	1.00	1.92
225	AADF000009	542	354	147	1.00	3.05
250	AADF000010	542	379	147	1.00	3.20
275 / 280 / 300	AADF000012	612	430	147	1.00	4.00
315	AADF000013	646	443	147	1.00	4.29
350	AADF000014	684	482	147	1.00	4.94
400	AADF000015	754	530	147	1.00	5.87
450	AADF000016	824	632	207	1.00	8.60
500	AADF000017	873	681	207	1.00	10.00
550	AADF000018	1071	780	207	1.00	12.10
600	AADF000019	1141	789	207	1.00	13.00
630	AADF000020	1171	837	207	1.00	14.20
650	AADF	1191	846	207	1.00	15.30
700	AADF	1241	854	207	1.00	16.40

AADA Pneumatic sliding dampers - ATEX



AADA Pneumatic sliding dampers - ATEX

The AADA ATEX sliding dampers are activated by pneumatic cylinders (solenoid valve sold separately).

The use of the AADA pneumatic sliding dampers optimizes the installation and allows that only the machines needed are used. This also allows for lower running costs.

Delivered with certificate of conformity and installation and maintenance manual.

Connection to air hose 4/6 mm.

! Please state the voltage when ordering :
24 V AC, 24 V DC, 110 V AC, 220 V AC.

! II 2 GD T6/T85°C X
Compliant and produced according to ATEX Directive 2014/34/EU and harmonized standard EN1127-1:2011.

Material

Sendzimir galvanized DX51 DZ 275 MAC.

Type

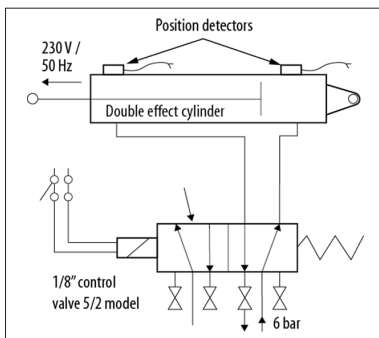
Rolled and cut sheets, with 6 mm edges for lock rings.

Compliant and produced according to ATEX Directive 2014/34/EU and harmonized standard EN1127-1:2011.

Options

- solenoid valve standard, ATEX zone 21 or Zone 22
- cover house (on regular versions)
- reinforced versions with cover house
- other types of edges or connections

! Max. air pressure in solenoid valve : 8 Bar
Use only oil free dry air



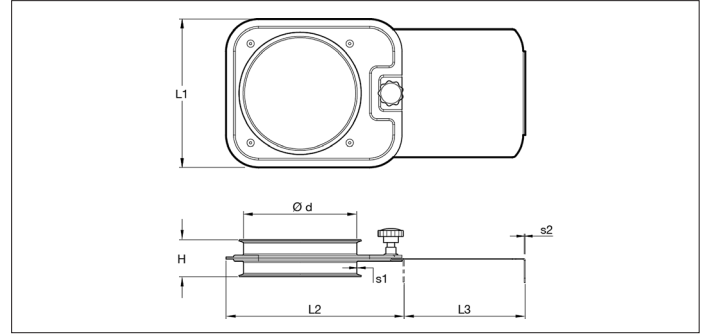
Connection of a linear pneumatic cylinder on a pneumatic sliding damper



Sliding damper with cover house option

Ø	Code regular version	L1 mm	L2 mm	L3 mm	H mm	s1 mm	s2 mm	Weight kg
80	ADAD080A-ATEX	120	150	420	40	1.20	1.20	1.10
100	ADAD100A-ATEX	145	190	490	50	1.20	1.20	1.30
120	ADAD120A-ATEX	165	210	550	50	1.20	1.20	1.50
125	ADAD125A-ATEX	165	210	550	50	1.20	1.20	1.50
140	ADAD140A-ATEX	180	220	605	50	1.20	1.20	1.70
150	ADAD150A-ATEX	190	237	615	50	1.20	1.20	1.80
160	ADAD160A-ATEX	205	245	660	50	1.20	1.20	1.90
180	ADAD180A-ATEX	220	280	750	50	1.20	1.20	2.30
200	ADAD200A-ATEX	240	310	795	50	1.20	1.20	2.20
225	ADAD225A-ATEX	260	330	880	75	1.50	1.50	3.90
250	ADAD250A-ATEX	290	362	950	65	1.50	1.50	5.00
280	ADAD280A-ATEX	320	390	1040	65	1.50	1.50	6.70
300	ADAD300A-ATEX	345	410	1095	80	1.50	1.50	7.50

AADB Compact sliding dampers



AADB Compact sliding dampers
Manual sliding damper without seal. Available from Ø80 up to Ø250 included for use in overpressure, under-pressure and pressureless systems.

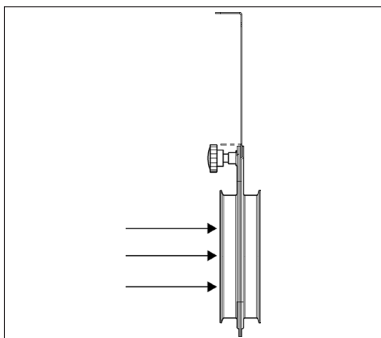
It is widely used where very little space is available.

Provided with star knob to lock the blade in place.

Material
Electro-galvanized blacksteel (10µm).
POM star knob.

Type
Pressed sheets spot-welded together with 6 mm edges for lock rings.

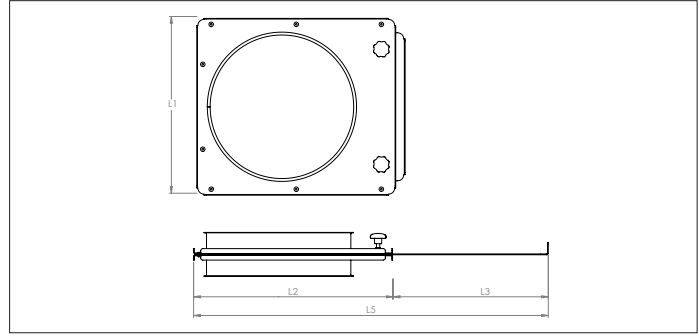
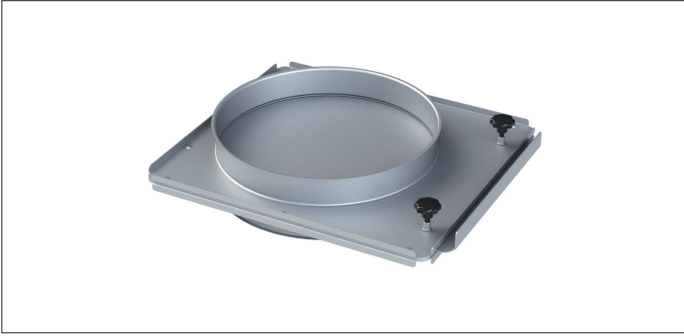
Options
- none



Airflow direction (underpressure systems)

Ø	Code	L1 mm	L2 mm	L3 mm	H mm	S1 mm	Weight kg
80	AADB000001	120	150	90	40	1.20	0.47
100	AADB000002	140	168	124	40	1.20	0.61
120	AADB000003	160	185	135	40	1.20	0.75
140	AADB000004	180	220	140	55	1.20	1.00
150	AADB000005	190	230	157	60	1.20	1.15
160	AADB000006	200	235	163	60	1.20	1.30
180	AADB000007	220	278	180	64	1.20	1.50
200	AADB000008	240	305	230	64	1.20	1.80
225	AADB000009	270	325	260	64	1.20	2.10
250	AADB000010	290	345	260	64	1.20	2.40

AADB Compact sliding dampers



AADB Compact sliding dampers
Manual sliding damper without seal. Available from Ø275 up to Ø630 included for use in overpressure, under-pressure and pressureless systems.

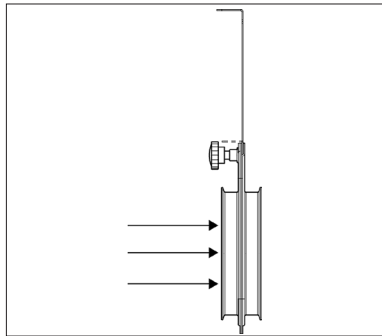
Material
Electro-galvanized blacksteel (10µm).
POM star knob.

It is widely used where very little space is available.

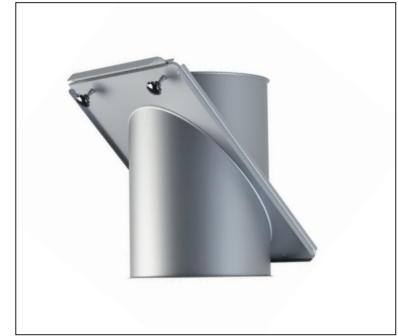
Type
Cut sheets bolted together with 6 mm edges for lock rings.

Provided with one star knob up to Ø315 and two star knobs as of Ø350 to lock the blade in place.

Options
- other diameters
- at 45° position for the paper industry
- other types of edges or connections



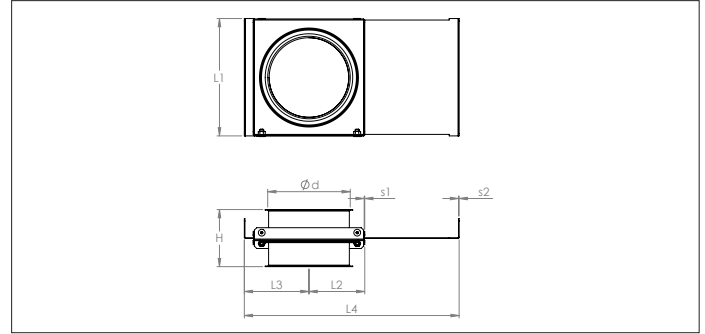
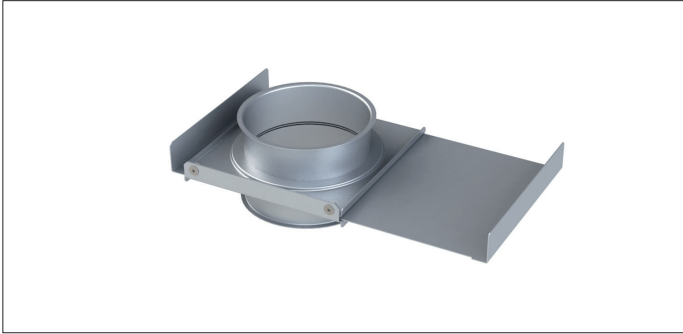
Airflow direction (underpressure systems)



Model at 45° for the paper industry

Ø	Code	L1 mm	L2 mm	L3 mm	H mm	S1 mm	Weight kg
125	AADB000021	205	282	332	107	1.50	0.80
275	AADB000011	355	432	487	107	1.50	1.90
280	AADB000022	355	432	492	107	1.50	1.90
300	AADB000012	380	457	512	107	1.50	2.00
315	AADB000013	395	472	527	107	1.50	5.00
350	AADB000014	430	507	582	107	1.50	8.00
400	AADB000015	480	557	632	107	1.50	11.01
450	AADB000016	530	607	682	107	1.50	12.29
500	AADB000017	604	720	732	110	2.00	24.03
550	AADB000018	654	770	782	110	2.00	25.20
600	AADB000019	704	820	832	110	2.00	26.70
630	AADB000020	734	850	862	110	2.00	28.30

AADC Sliding dampers with seal



AADC Sliding dampers with seal
Robust manual sliding dampers with rubber and PEHD polyether sealing ring for use in under-pressure and pressureless systems.

The airtightness is achieved up to Ø 200 mm with two gaskets sets (EPDM and PEHD) but with only one plastic gasket set as of Ø 225 mm. The plastic seal can be replaced by Teflon depending on the temperature.

Only applied when a ducting needs to be completely open or closed.

Material
Electro-galvanized blacksteel (10µm) with EPDM and PEHD seals.

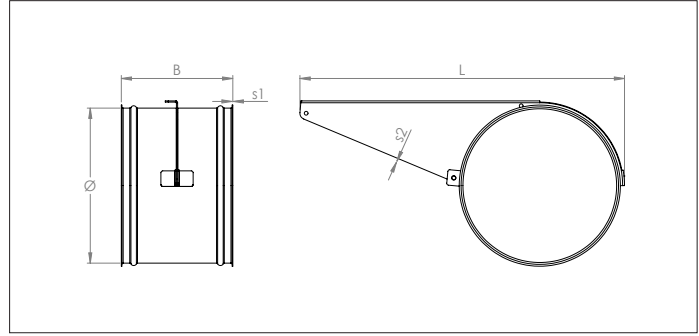
Type
Rolled, folded and welded sheets with 6 mm edges for lock rings.

Options

- other diameters
- Teflon seals
- other types of edges or connections

Ø	Code	L1 mm	L2 mm	L3 mm	L4 mm	H mm	S1 mm	S2 mm	Weight kg
80	AADC000001	157	73	92	274	125	1.50	2.00	1.76
100	AADC000002	177	82	101	314	125	1.50	2.00	2.10
120	AADC000003	201	95	114	358	125	1.50	2.00	2.57
125	AADC000021	201	95	114	358	125	1.50	2.00	2.57
140	AADC000004	226	107	126	413	125	1.50	2.00	3.08
150	AADC000005	226	107	126	413	125	1.50	2.00	3.09
160	AADC000006	237	113	132	434	125	1.50	2.00	3.34
180	AADC000007	276	132	151	513	125	1.50	2.00	4.20
200	AADC000008	276	132	151	513	125	1.50	2.00	4.20
225	AADC000009	335	136	154	544	163	2.00	3.00	7.80
250	AADC000010	370	148	167	594	163	2.00	3.00	8.90
275	AADC000011	420	183	202	714	163	2.00	3.00	11.00
280	AADC000022	420	183	202	714	163	2.00	3.00	11.00
300	AADC000012	420	183	202	714	163	2.00	3.00	11.50
315	AADC000013	470	208	226	813	163	2.00	3.00	11.50
350	AADC000014	470	208	226	813	163	2.00	3.00	13.70
400	AADC000015	520	233	252	913	163	2.00	3.00	16.50
450	AADC000016	568	257	276	1009	221	2.00	3.00	19.70
500	AADC000017	618	282	301	1109	221	2.00	3.00	22.60
550	AADC000018	750	348	367	1373	221	2.00	3.00	35.00
600	AADC000019	750	348	367	1373	221	2.00	3.00	34.00
630	AADC000020	750	348	367	1373	221	2.00	3.00	33.00

AADD Balance dampers



AADD Balance dampers

Manually operated dampers by chain or rope for mounting in horizontal ducting in higher places for use in under-pressure and pressureless systems.

A sealing strip is applied on the mobile blade to insure airtightness when open.

Chain or rope not included.

Material

Sendzimir galvanized DX51 DZ 275 MAC.

Type

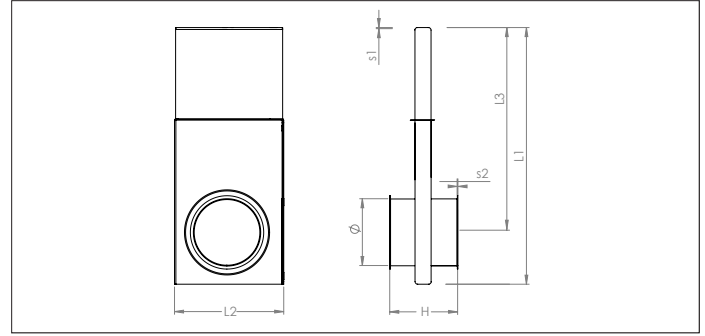
Rolled and folded stitch-welded sheets with 6 mm edges for lock rings.

Options

- other diameters
- other sheet thicknesses depending on diameter
- other types of edges or connections

Ø	Code	B mm	L mm	S1 mm	S2 mm	Weight kg
80	AADD000001	180	205	1.00	2.00	0.85
100	AADD000002	180	210	1.00	2.00	0.95
120	AADD000003	180	240	1.00	2.00	1.20
125	AADD000016	180	240	1.00	2.00	1.25
140	AADD000004	180	290	1.00	2.00	1.37
150	AADD000005	180	330	1.00	2.00	1.54
160	AADD000006	180	375	1.00	2.00	1.65
180	AADD000007	180	400	1.00	2.00	1.89
200	AADD000008	180	415	1.00	2.00	2.10
225	AADD000009	180	468	1.00	2.00	2.40
250	AADD000010	180	520	1.00	2.00	2.77
275	AADD000011	180	570	1.00	2.00	3.16
280	AADD000017	180	575	1.00	2.00	3.21
300	AADD000012	180	580	1.00	2.00	3.55
315	AADD000013	180	650	1.00	2.00	3.85
350	AADD000014	180	725	1.00	2.00	4.51
400	AADD000015	180	830	1.00	2.00	5.43

AADM Fire dampers - ATEX



AADM Fire dampers - ATEX

Fire dampers designed to shut of part of an installation if a fire occurs. The integrated fuse melts at 72°C which draws the damper blade down. The closing time is 100 ms after fuse rupture.

The underside of the damper as a lid mounted on spring return to allow the evacuation of probable material deposits occurring during normal installation functioning.

Fire resistant REI 120 according to EN1366-2 / EN13501-3 (with certificate).

- ! Attention : For mounting in horizontal under-pressure ducting installations.
- ! Attention : installation direction according to arrow on the body (fire propagation direction)
- ! II 2 GD T6/T85°C X
Compliant and produced according to ATEX Directive 2014/34/EU and harmonized standard EN1127-1:2011.

Material

Senzimir galvanized DX51 DZ 275 MAC.

Type

Rolled and cut sheets, with 6 mm edges for lock rings. With melting fuse (72°C) and rearmement handle.

Compliant and produced according to ATEX Directive 2014/34/EU and harmonized standard EN1127-1:2011.

Options

- manual rearmement, closing by gravity with pneumatic activation, spark detection system required (STFRPTM)
- pneumatic rearmement, closing by gravity with pneumatic activation, spark detection system required (STFRTMA)
- pneumatic closing and rearmement, spark detection system required (STFRPCMT)
- microswitch standard, ATEX zone 21 or zone 22
- solenoid valve standard, ATEX zone 21 or zone 22
- powder coated execution (RAL 3020)
- copper compressed air hoses (on STFRTMA)
- other types of edges or connections



Spare fuse and rearming handle



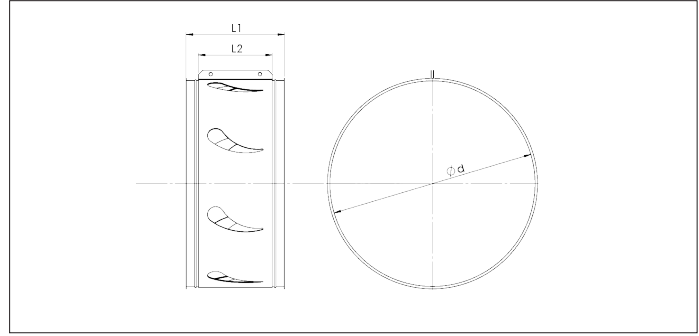
Discharge lid on the underside of the damper



Pneumatic version (STFRTMA)

Ø	Code	L1	L2	L3	H	s1	s2	Weight
	Manual version	mm	mm	mm	mm	mm	mm	kg
200	AADM000001	765	350	540	465	3.00	2.00	24.00
250	AADM000002	865	400	615	465	3.00	2.00	30.00
300	AADM000003	965	450	690	465	3.00	2.00	38.00
350	AADM000004	1065	500	765	465	3.00	2.00	44.00
400	AADM000005	1165	550	840	465	3.00	2.00	50.00
450	AADM000006	1265	600	915	465	3.00	2.00	60.00
500	AADM000007	1365	650	990	465	3.00	2.00	68.00
550	AADM000008	1465	700	1065	465	3.00	2.00	80.00
600	AADM000009	1565	750	1140	465	3.00	2.00	90.00
650	AADM000010	1665	800	1215	465	3.00	2.00	102.00
700	AADM000011	1765	850	1290	465	3.00	2.00	112.00
750	AADM000012	1865	900	1365	465	3.00	2.00	140.00

AADG Air bleeds



AADG Air bleeds

The air bleeds are designed to regulate the airflow in an installation by drawing in outside air for use in under-pressure and pressureless systems.

The outer mantle can be turned to open or close the openings and it is held in place by two star knobs.

Material

Sendzimir galvanized DX51 DZ 275 MAC.
POM star knobs.

Type

Rolled sheets, stitch-welded, with 6 mm edges for lock rings.
Provided with star-knob.

Options

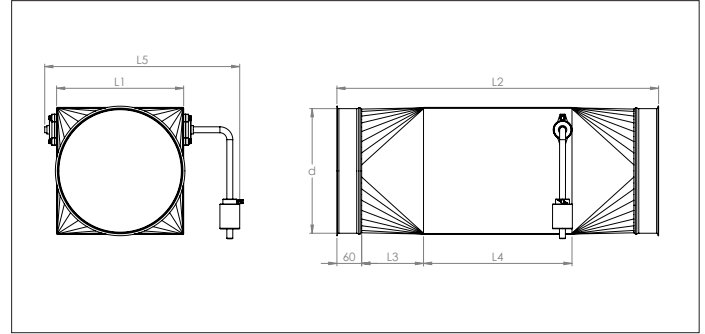
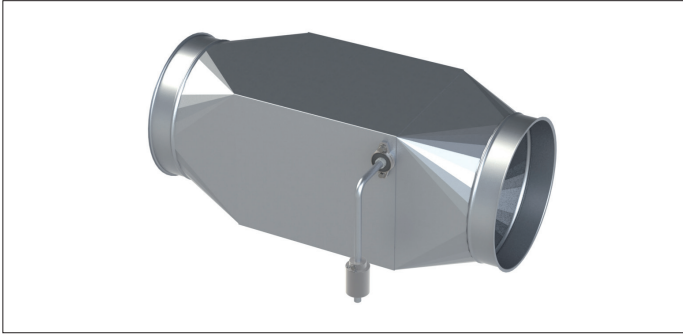
- other diameters
- other sheet thicknesses depending on diameter and length
- other types of edges or connections



Air bleed star knob locking system

Ø	Code	L1 mm	L2 mm	s mm	Weight kg
80	AADG000001	240	180	0.88	0.85
100	AADG000002	240	180	0.88	1.02
120	AADG000003	240	180	0.88	1.20
125	AADG000021	240	180	0.88	1.25
140	AADG000004	240	180	0.88	1.37
150	AADG000005	240	180	0.88	1.55
160	AADG000006	240	180	0.88	1.59
180	AADG000007	240	180	0.88	1.70
200	AADG000008	240	180	0.88	1.90
225	AADG000009	240	180	0.88	2.16
250	AADG000010	240	180	0.88	2.40
275	AADG000011	240	180	0.88	2.65
280	AADG000022	240	180	0.88	2.70
300	AADG000012	240	180	0.88	2.90
315	AADG000013	240	180	0.88	3.00
350	AADG000014	240	180	0.88	3.38
400	AADG000015	240	180	0.88	4.01
450	AADG000016	240	180	0.88	4.80
500	AADG000017	240	180	0.88	5.10
550	AADG000018	240	180	0.88	5.30
600	AADG000019	240	180	0.88	5.70
630	AADG000020	240	180	0.88	6.10

AADH Non-return valves



AADH Non-return valves

Non-return valves are designed to avoid backflow of air in an installation for use in overpressure, under-pressure and pressureless systems.

The inner shut-off plate in 3 mm is mounted on a lever with adjustable counter-weight.

With ball bearing on axle of inner plate for smooth running and airtightness.

Material

Sendzimir galvanized DX51 DZ 275 MAC, and Vergacol sealant.

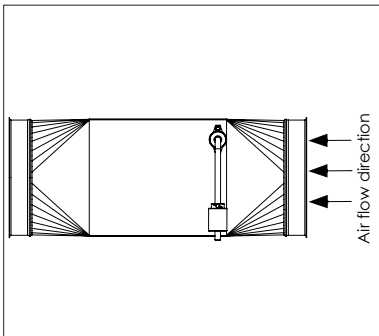
Type

Cut sheets stitch-welded and spot-welded, with 6 mm edges for lock rings.

Swivel arm on flanged bearings provided with counter-weight.

Options

- execution for vertical mounting
- other diameters
- other sheet thicknesses depending on diameter and length
- other types of edges or connections

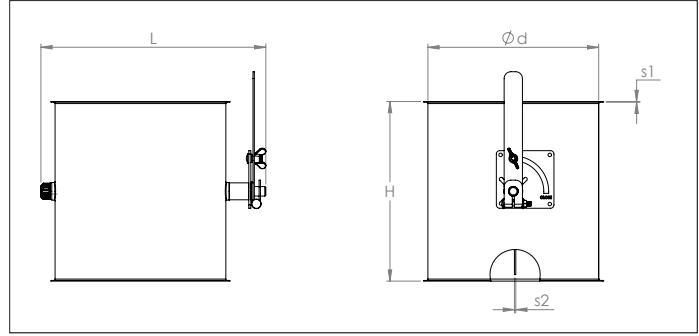
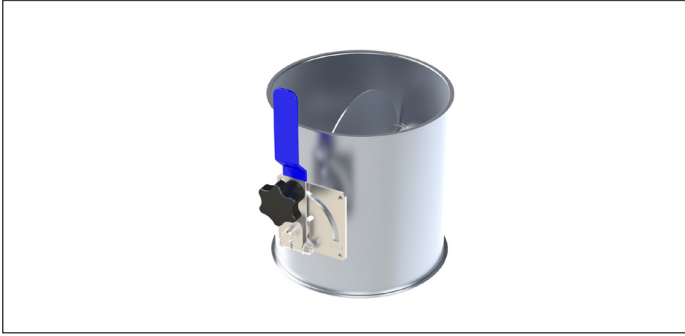


Airflow direction

- ! Maximum underpressure : 2500 Pa
- ! Counterweight needs to be adjusted on site depending on the need of the customer.
- ! Horizontal mounting only.

∅	Code	L1 mm	L2 mm	L3 mm	L4 mm	L5 mm	s mm	Weight kg
140	AADH000001	155	450	75	200	294	0.88	4.00
150	AADH000002	155	450	75	200	294	0.88	4.10
160	AADH000003	165	470	80	210	304	0.88	4.35
180	AADH000004	185	510	90	230	324	0.88	5.44
200	AADH000005	205	550	100	250	344	0.88	5.56
225	AADH000006	230	500	62.5	275	369	0.88	7.40
250	AADH000007	255	650	125	300	394	0.88	7.50
275	AADH000008	280	700	137.5	325	419	0.88	7.70
280	AADH000018	285	705	137.5	330	424	0.88	7.80
300	AADH000009	305	750	150	350	444	0.88	9.65
315	AADH000010	320	785	160	365	459	0.88	9.70
350	AADH000011	355	900	200	400	494	0.88	12.74
400	AADH000012	405	950	200	450	544	0.88	15.23
450	AADH000013	455	1050	225	500	594	0.88	18.70
500	AADH000014	505	1150	250	550	644	0.88	22.51
550	AADH000015	555	1250	275	600	694	0.88	26.57
600	AADH000016	605	1350	300	650	744	0.88	36.20
630	AADH000017	635	1413	316.5	680	774	0.88	39.60

AADJ manual throttle valves



AADJ manual throttle valves

Longitudinally stitch-welded throttle valves with a material thickness of 1 mm with an inner blade with a material thickness of 3 mm for use in overpressure, under-pressure and pressureless systems.

The throttle valves have a regulating handle with star-knob to secure the blade in a fixed position.

Axle seals are used along the axle ends for better airtightness.

Material

Sendzimir galvanized DX51 DZ 275 MAC.

Type

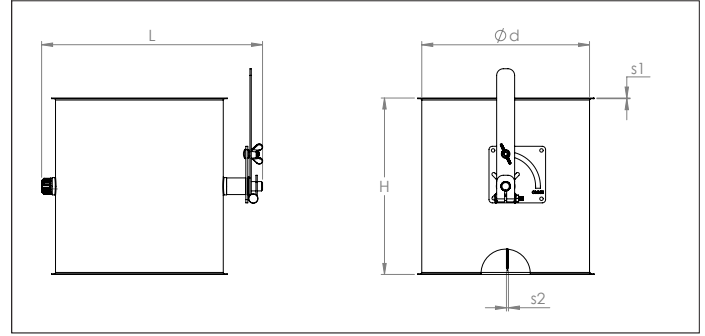
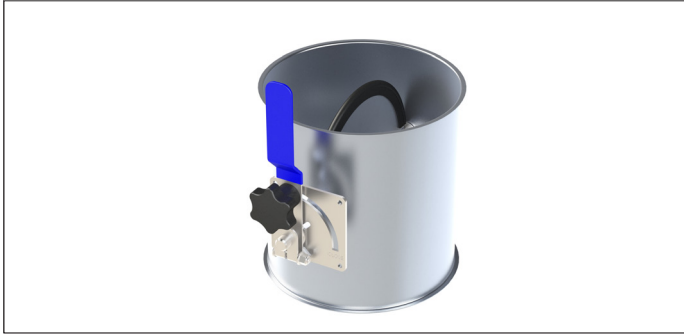
Rolled sheets, stitch-welded, with 6 mm edges for lock rings. Provided with regulating handle with star-knob.

Options

- other diameters
- other sheet thicknesses depending on diameter and length
- other types of edges or connections

Ø	Code	L mm	H mm	s1 mm	s2 mm	Weight kg
80	AADJ000001	162	95	0.88	3.00	0.81
100	AADJ000002	182	115	0.88	3.00	0.93
120	AADJ000003	202	135	0.88	3.00	1.10
125	AADJ000040	207	140	0.88	3.00	1.14
140	AADJ000004	222	155	0.88	3.00	1.37
150	AADJ000005	232	165	0.88	3.00	1.46
160	AADJ000006	242	175	0.88	3.00	1.56
180	AADJ000007	262	195	0.88	3.00	1.92
200	AADJ000008	282	215	0.88	3.00	2.16
225	AADJ000009	307	240	0.88	3.00	2.63
250	AADJ000010	332	265	0.88	3.00	3.12
275	AADJ000011	357	290	0.88	3.00	3.67
280	AADJ000041	362	295	0.88	3.00	3.76
300	AADJ000012	382	315	0.88	3.00	4.27
315	AADJ000013	397	330	0.88	3.00	4.65
350	AADJ000014	432	365	0.88	3.00	5.62
400	AADJ000015	482	415	0.88	3.00	7.18
450	AADJ000016	552	465	1.25	3.00	8.44
500	AADJ000017	602	515	1.25	3.00	9.80
550	AADJ000018	652	565	1.25	3.00	11.25
600	AADJ000019	702	615	1.25	3.00	12.80
630	AADJ000020	732	645	1.25	3.00	13.77
650	AADJ000021	752	665	1.25	3.00	14.44
700	AADJ000042	802	715	1.25	3.00	16.18
750	AADJ000043	852	765	1.25	3.00	18.00
800	AADJ000044	902	815	1.25	3.00	19.93

AADJ manual throttle valves with seal



AADJ manual throttle valves with seal

Longitudinally stitch-welded throttle valves with a material thickness of 1 mm with an inner blade with with seal with a material thickness of 3 mm for use in overpressure, under-pressure and pressureless systems.

The throttle valves have a regulating handle with star-knob to secure the blade in a fixed position.

Axle seals are used and a natural rubber seal is applied to the valve blade for better airtightness.

Material

Sendzimir galvanized DX51 DZ 275 MAC and EPDM blade seal.

Type

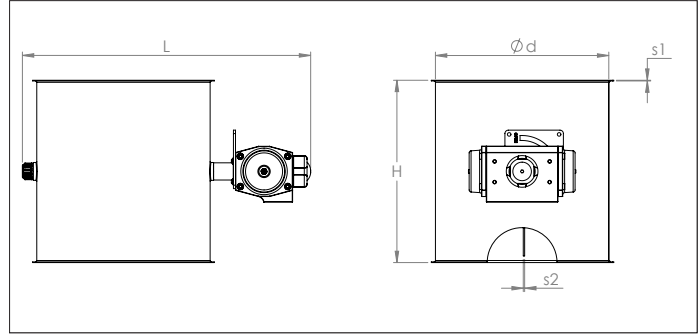
Rolled sheets, stitch-welded, with 6 mm edges for lock rings. Provided with regulating handle with star-knob.

Options

- other diameters
- other sheet thicknesses depending on diameter and length
- other valve seals, for example silicone, NBR, etc.
- other types of edges or connections

Ø	Code	L mm	H mm	s1 mm	s2 mm	Weight kg
80	AADJ000025	162	95	0.88	2 x 1.00 + seal	0.78
100	AADJ000026	182	115	0.88	2 x 1.00 + seal	0.88
120	AADJ000027	202	135	0.88	2 x 1.00 + seal	1.03
125	AADJ000046	207	140	0.88	2 x 1.00 + seal	1.06
140	AADJ000028	222	155	0.88	2 x 1.00 + seal	1.26
150	AADJ000029	232	165	0.88	2 x 1.00 + seal	1.34
160	AADJ000030	242	175	0.88	2 x 1.00 + seal	1.42
180	AADJ000031	262	195	0.88	2 x 1.00 + seal	1.74
200	AADJ000032	282	215	0.88	2 x 1.00 + seal	1.94
225	AADJ000033	307	240	0.88	2 x 1.00 + seal	2.34
250	AADJ000034	332	265	0.88	2 x 1.00 + seal	2.77
275	AADJ000035	357	290	0.88	2 x 1.00 + seal	3.24
280	AADJ000045	362	295	0.88	2 x 1.00 + seal	3.30
300	AADJ000036	382	315	0.88	2 x 1.00 + seal	3.75
315	AADJ000037	397	330	0.88	2 x 1.00 + seal	4.08
350	AADJ000038	432	365	0.88	2 x 1.00 + seal	4.90
400	AADJ000039	482	415	0.88	2 x 1.00 + seal	6.23

AADK Pneumatic throttle valves without seal



AADK Pneumatic throttle valves without seal
Longitudinally stitch-welded throttle valves with a material thickness of 1 mm with an inner blade with a material thickness of 3 mm for use in overpressure, under-pressure and pressureless systems.

The change in direction of the blade is operated by a pneumatic rotating actuator connected to a monostable 5/2 NAMUR solenoid valve (coil & connector sold separately).

Axle seals are used to the valve blade for better airtightness.

Material
Sendzimir galvanized DX51 DZ 275 MAC.
Pneumatic actuator type DA-52.

Type
Rolled sheets, stitch-welded, with 6 mm edges for lock rings.
Provided with pneumatic cylinder and solenoid valve.

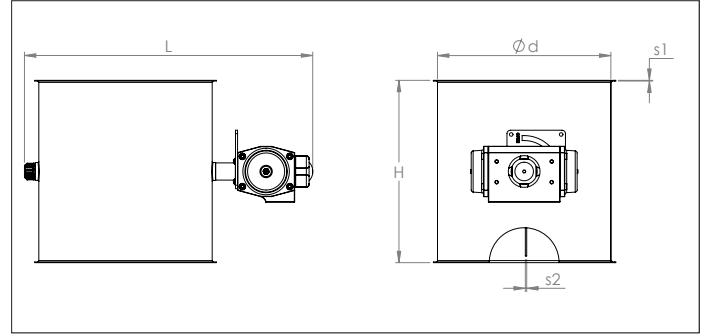
- Options**
- other diameters
 - other sheet thicknesses depending on diameter and length
 - other types of actuator (ATEX)
 - position indicator
 - other types of edges or connections

❗ Max. air pressure in solenoid valve and cylinder : 8 Bar
Use only oil free dry air

❗ Please state the voltage when ordering:
24 V AC, 24 V DC, 220 V AC.

Ø	Code	L mm	H mm	s1 mm	s2 mm	Weight kg
80	AADK000139	250	95	0.88	3.00	2.51
100	AADK000140	270	115	0.88	3.00	2.63
120	AADK000141	290	135	0.88	3.00	2.80
125	AADK000142	295	140	0.88	3.00	2.84
140	AADK000143	310	155	0.88	3.00	3.07
150	AADK000144	320	165	0.88	3.00	3.16
160	AADK000145	330	175	0.88	3.00	3.26
180	AADK000146	350	195	0.88	3.00	3.62
200	AADK000147	370	215	0.88	3.00	3.86
225	AADK000148	395	240	0.88	3.00	4.33
250	AADK000149	420	265	0.88	3.00	4.82
275	AADK000150	445	290	0.88	3.00	5.37
280	AADK000151	450	295	0.88	3.00	5.46
300	AADK000152	470	315	0.88	3.00	5.97
315	AADK000153	485	330	0.88	3.00	6.35
350	AADK000154	520	365	0.88	3.00	7.32
400	AADK000155	570	415	0.88	3.00	8.88
450	AADK000156	632	465	1.25	3.00	12.50
500	AADK000157	682	515	1.25	3.00	14.70
550	AADK000158	732	565	1.25	3.00	17.20
600	AADK000159	782	615	1.25	3.00	19.90
630	AADK000160	812	645	1.25	3.00	21.60
650	AADK000161	832	665	1.25	3.00	22.80
700	AADK000165	882	715	1.25	3.00	25.90
750	AADK000166	932	765	1.25	3.00	29.20
800	AADK000167	982	815	1.25	3.00	32.70

AADK Pneumatic throttle valves with seal



AADK Pneumatic throttle valves with seal
Longitudinally stitch-welded throttle valves with a material thickness of 1 mm with an inner blade with seal with a material thickness of 3 mm for use in overpressure, under-pressure and pressureless systems.

The change in direction of the blade is operated by a pneumatic rotating actuator connected to a monostable 5/2 NAMUR solenoid valve (coil & connector sold separately). Axle seals are used and a natural rubber seal is applied to the valve blade for better airtightness.

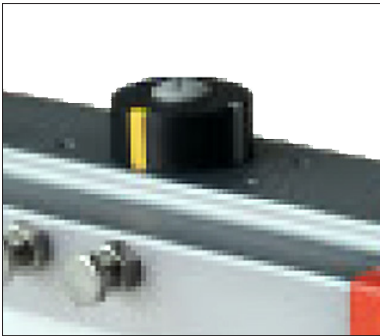
! Max. air pressure in solenoid valve and cylinder : 8 Bar
Use only oil free dry air

! Please state the voltage when ordering:
24 V AC, 24 V DC, 220 V AC.

Material
Sendzimir galvanized DX51 DZ 275 MAC and EPDM blade seal.
Pneumatic actuator type DA-52.

Type
Rolled sheets, stitch-welded, with 6 mm edges for lock rings.
Provided with pneumatic cylinder and solenoid valve.

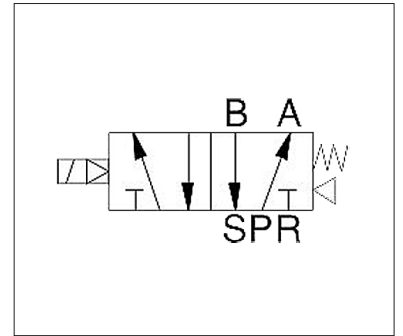
- Options**
- other diameters
 - other sheet thicknesses depending on diameter and length
 - other valve seals, for example silicone, NBR, etc.
 - other types of actuator (ATEX)
 - position indicator
 - other types of edges or connections



Visual indicator mounted on axle to indicate thottle valve position



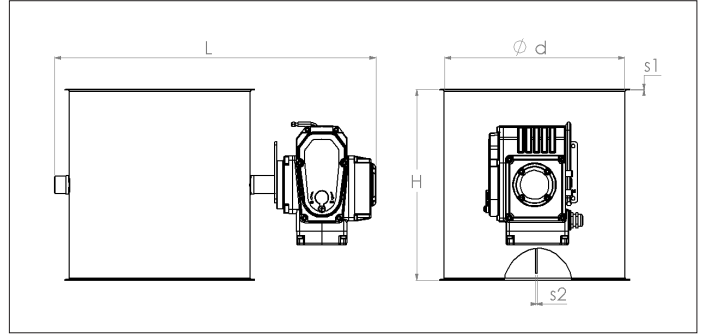
Optional position detector



Wiring diagram of NAMUR solenoid valve

Ø	Code	L mm	H mm	s1 mm	s2 mm	Weight kg
80	AADK000168	250	95	0.88	2 x 1.00 + seal	2.51
100	AADK000169	270	115	0.88	2 x 1.00 + seal	2.63
120	AADK000170	290	135	0.88	2 x 1.00 + seal	2.80
125	AADK000171	295	140	0.88	2 x 1.00 + seal	2.84
140	AADK000172	310	155	0.88	2 x 1.00 + seal	3.07
150	AADK000173	320	165	0.88	2 x 1.00 + seal	3.16
160	AADK000174	330	175	0.88	2 x 1.00 + seal	3.26
180	AADK000175	350	195	0.88	2 x 1.00 + seal	3.62
200	AADK000176	370	215	0.88	2 x 1.00 + seal	3.86
225	AADK000177	395	240	0.88	2 x 1.00 + seal	4.33
250	AADK000178	420	265	0.88	2 x 1.00 + seal	4.82
275	AADK000179	445	290	0.88	2 x 1.00 + seal	5.37
280	AADK000180	450	295	0.88	2 x 1.00 + seal	5.46
300	AADK000181	470	315	0.88	2 x 1.00 + seal	5.97
315	AADK000182	485	330	0.88	2 x 1.00 + seal	6.35
350	AADK000183	520	365	0.88	2 x 1.00 + seal	7.32
400	AADK000184	570	415	0.88	2 x 1.00 + seal	8.88

AADL Electric throttle valves without seal



AADL Electric throttle valves without seal

Longitudinally stitch-welded throttle valves with a material thickness of 1 mm with an inner blade with a material thickness of 3 mm for use in overpressure, under-pressure and pressureless systems.

The valves are provided with an electric rotating actuator which opens or closes the blade. The open/close time is 30 seconds.

Axle seals are applied to the valve blade for better airtightness.

Material

Sendzimir galvanized DX51 DZ 275 MAC.
Electric actuator type ASBG HB50.

Type

Rolled sheets, stitch-welded, with 6 mm edges for lock rings.
Provided with electric actuator, 220 VAC, 50 Nm.

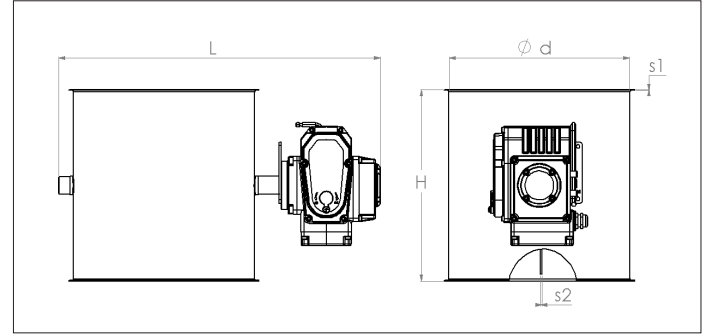
Options

- other diameters
- other sheet thicknesses depending on diameter and length
- other types of electric actuator (ATEX)
- other types of edges or connections

! Standard voltage : 220 V AC.

Ø	Code			L mm	H mm	s1 mm	s2 mm	Open/close sec.	Weight kg
	220V AC	24V AC	24V DC						
80	AADL000122	AADL000185	AADL000093	295	95	0.88	3.00	30	3.31
100	AADL000123	AADL000186	AADL000094	315	115	0.88	3.00	30	3.43
120	AADL000124	AADL000187	AADL000095	335	135	0.88	3.00	30	3.60
125	AADL000125	AADL000188	AADL000096	340	140	0.88	3.00	30	3.64
140	AADL000126	AADL000189	AADL000097	355	155	0.88	3.00	30	3.87
150	AADL000127	AADL000190	AADL000098	365	165	0.88	3.00	30	39.6
160	AADL000128	AADL000191	AADL000099	375	175	0.88	3.00	30	4.06
180	AADL000129	AADL000192	AADL000100	395	195	0.88	3.00	30	4.42
200	AADL000130	AADL000193	AADL000101	415	215	0.88	3.00	30	4.62
225	AADL000131	AADL000194	AADL000102	440	240	0.88	3.00	30	5.13
250	AADL000132	AADL000195	AADL000103	465	265	0.88	3.00	30	5.62
275	AADL000133	AADL000196	AADL000104	490	290	0.88	3.00	30	6.17
280	AADL000134	AADL000197	AADL000105	495	295	0.88	3.00	30	6.26
300	AADL000135	AADL000198	AADL000106	515	315	0.88	3.00	30	6.77
315	AADL000136	AADL000199	AADL000107	530	330	0.88	3.00	30	7.15
350	AADL000137	AADL000200	AADL000108	565	365	0.88	3.00	30	8.12
400	AADL000138	AADL000201	AADL000109	615	415	0.88	3.00	30	9.68
450	AADL000139	AADL000202	AADL000110	660	465	1.25	3.00	30	13.60
500	AADL000140	AADL000203	AADL000111	710	515	1.25	3.00	30	15.80
550	AADL000141	AADL000204	AADL000112	760	565	1.25	3.00	30	18.30
600	AADL000142	AADL000205	AADL000113	810	615	1.25	3.00	30	21.00
630	AADL000143	AADL000206	AADL000114	840	645	1.25	3.00	30	22.70
650	AADL000144	AADL000207	AADL000115	860	665	1.25	3.00	30	23.90
700	AADL000145	AADL000208	AADL000116	910	715	1.25	3.00	30	27.00
750	AADL000146	AADL000209	AADL000117	960	765	1.25	3.00	30	30.30
800	AADL000147	AADL000210	AADL000118	1010	815	1.25	3.00	30	33.83

AADL Electric throttle valves with seal



AADL Electric throttle valves with seal
Longitudinally stitch-welded throttle valves with a material thickness of 1 mm with an inner blade with seal with a material thickness of 3 mm for use in overpressure, under-pressure and pressureless systems.

The valves are provided with an electric rotating actuator which opens or closes the blade. The open/close time is 30 seconds.

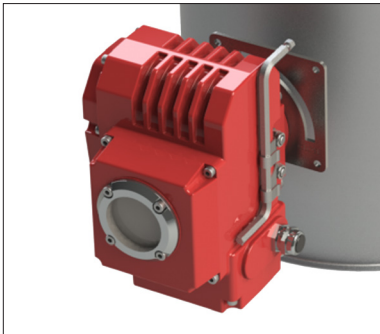
Axle seals are used and a natural rubber seal is applied to the valve blade for better airtightness.

! Standard voltage : 220 V AC.

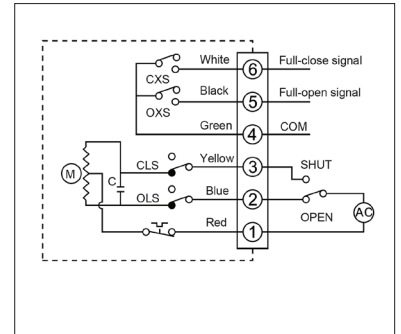
Material
Sendzimir galvanized DX51 DZ 275 MAC and EPDM blade seal.
Electric actuator type ASBG HB50.

Type
Rolled sheets, stitch-welded, with 6 mm edges for lock rings.
Provided with electric actuator, 220 VAC, 50 Nm.

- Options**
- other diameters
 - other sheet thicknesses depending on diameter and length
 - other valve seals, for example silicone, NBR, etc.
 - other types of electric actuator (ATEX)
 - other types of edges or connections



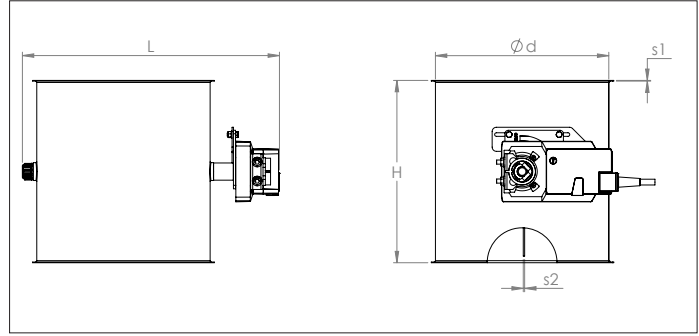
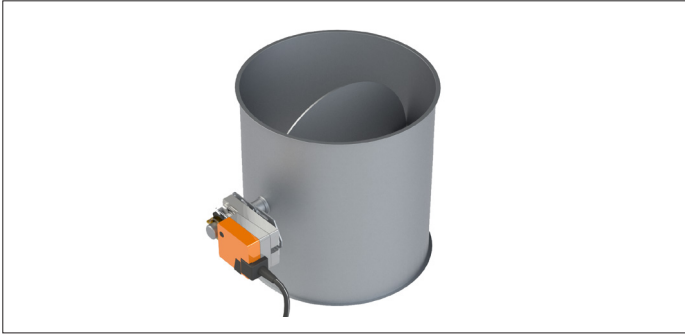
Provided with hexagonal handle for manual operation



Wiring diagram of 220V AC actuator

Ø	Code			L mm	H mm	s1 mm	s2 mm	Open/close sec.	Weight kg
	220V AC	24V AC	24V DC						
80	AADL000168	AADL000214	AADL000151	295	95	0.88	2 x 1.00 + seal	30	3,28
100	AADL000169	AADL000215	AADL000152	315	115	0.88	2 x 1.00 + seal	30	3,38
120	AADL000170	AADL000216	AADL000153	335	135	0.88	2 x 1.00 + seal	30	3,53
125	AADL000171	AADL000217	AADL000154	340	140	0.88	2 x 1.00 + seal	30	3,56
140	AADL000172	AADL000218	AADL000155	355	155	0.88	2 x 1.00 + seal	30	3,76
150	AADL000173	AADL000219	AADL000156	365	165	0.88	2 x 1.00 + seal	30	3,84
160	AADL000174	AADL000220	AADL000157	375	175	0.88	2 x 1.00 + seal	30	3,92
180	AADL000175	AADL000221	AADL000158	395	195	0.88	2 x 1.00 + seal	30	4,24
200	AADL000176	AADL000222	AADL000159	415	215	0.88	2 x 1.00 + seal	30	4,44
225	AADL000177	AADL000223	AADL000160	440	240	0.88	2 x 1.00 + seal	30	4,84
250	AADL000178	AADL000224	AADL000161	465	265	0.88	2 x 1.00 + seal	30	5,27
275	AADL000179	AADL000225	AADL000162	490	290	0.88	2 x 1.00 + seal	30	5,74
280	AADL000180	AADL000226	AADL000163	495	295	0.88	2 x 1.00 + seal	30	5,80
300	AADL000181	AADL000227	AADL000164	515	315	0.88	2 x 1.00 + seal	30	6,25
315	AADL000182	AADL000228	AADL000165	530	330	0.88	2 x 1.00 + seal	30	6,58
350	AADL000183	AADL000229	AADL000166	565	365	0.88	2 x 1.00 + seal	30	7,40
400	AADL000184	AADL000230	AADL000167	615	415	0.88	2 x 1.00 + seal	30	8,73

AADL Electric throttle valves without gasket



AADL Electric throttle valves without gasket

Longitudinally stitch-welded throttle valves with a material thickness of 1 mm with an inner blade with a material thickness of 3 mm for use in overpressure, under-pressure and pressureless systems.

The valves are provided with an electric rotating actuator which opens or closes the blade. The rotating actuator model is a LMC for the throttle valves Ø80 up to Ø160, and SM for the throttle valves Ø180 up to Ø800.

Axle seals are used for better airtightness.

Material

Sendzimir galvanized DX51 DZ 275 MAC.
Electric actuator type Belimo (LMC or SM).

Type

Rolled sheets, stitch-welded, with 6 mm edges for lock rings. Provided with electric actuator and integrated visual indicator.

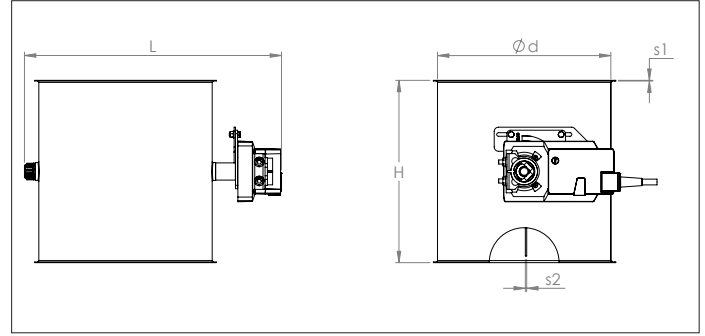
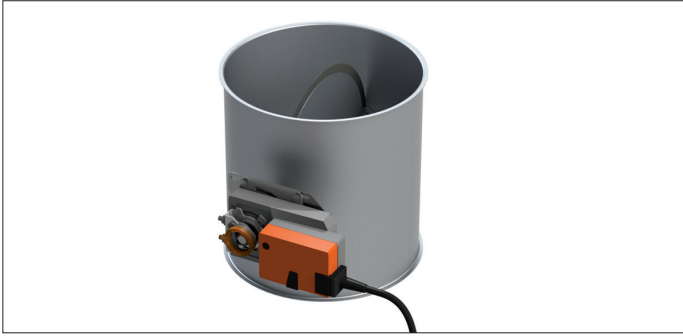
Options

- other diameters
- other sheet thicknesses depending on diameter and length
- other types of electric motor (proportional, ATEX, other)
- position indicator S2-A
- other types of edges or connections

! Please state the voltage when ordering:
24 V AC-DC, 220 V AC.

Ø	Code		L mm	H mm	s1 mm	s2 mm	Open/close sec.	Weight kg
	220V AC	24V AC/DC						
80	AADL000025	AADL000001	201	95	0.88	3.00	35	1.29
100	AADL000026	AADL000002	221	115	0.88	3.00	35	1.41
120	AADL000027	AADL000003	241	135	0.88	3.00	35	1.58
125	AADL000084	AADL000079	246	140	0.88	3.00	35	1.62
140	AADL000028	AADL000004	261	155	0.88	3.00	35	1.85
150	AADL000029	AADL000005	271	165	0.88	3.00	35	1.94
160	AADL000030	AADL000006	281	175	0.88	3.00	35	2.04
180	AADL000031	AADL000007	304	195	0.88	3.00	150	2.92
200	AADL000032	AADL000008	324	215	0.88	3.00	150	3.16
225	AADL000033	AADL000009	349	240	0.88	3.00	150	3.63
250	AADL000034	AADL000010	374	265	0.88	3.00	150	4.12
275	AADL000035	AADL000011	399	290	0.88	3.00	150	4.67
280	AADL000085	AADL000080	404	295	0.88	3.00	150	4.76
300	AADL000036	AADL000012	424	315	0.88	3.00	150	5.27
315	AADL000037	AADL000013	439	330	0.88	3.00	150	5.65
350	AADL000038	AADL000014	474	365	0.88	3.00	150	6.62
400	AADL000039	AADL000015	524	415	0.88	3.00	150	8.18
450	AADL000040	AADL000016	574	465	0.88	3.00	150	9.44
500	AADL000041	AADL000017	624	515	0.88	3.00	150	10.80
550	AADL000042	AADL000018	674	565	0.88	3.00	150	12.25
600	AADL000043	AADL000019	724	615	0.88	3.00	150	13.80
630	AADL000044	AADL000020	754	645	0.88	3.00	150	14.77
650	AADL000045	AADL000021	774	665	0.88	3.00	150	15.44
700	AADL000086	AADL000081	824	715	0.88	3.00	150	17.18
750	AADL000088	AADL000082	874	765	0.88	3.00	150	19.00
800	AADL000087	AADL000083	924	815	0.88	3.00	150	20.93

AADL Electric throttle valves with gasket



AADL Electric throttle valves with gasket
Longitudinally stitch-welded throttle valves with a material thickness of 1 mm with an inner blade with a material thickness of 3 mm for use in overpressure, under-pressure and pressureless systems.

The valves are provided with an electric rotating actuator which opens or closes the blade. The rotating actuator model is a LMC for the throttle valves Ø80 up to Ø160, and SM for the throttle valves Ø180 up to Ø400.

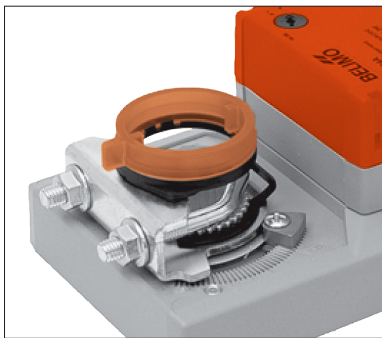
Axle seals are used and a natural rubber gasket is applied to the valve blade for better airtightness.

! Please state the voltage when ordering:
24 V AC-DC, 220 V AC.

Material
Sendzimir galvanized DX51 DZ 275 MAC and EPDM blade seal.
Electric actuator type Belimo (LMC or SM).

Type
Rolled sheets, stitch-welded, with 6 mm edges for lock rings. Provided with electric actuator and integrated visual indicator.

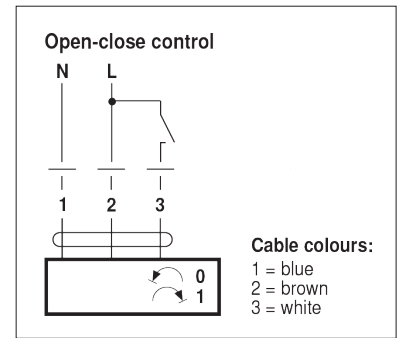
- Options**
- other diameters
 - other sheet thicknesses depending on diameter and length
 - other valve seals, for example silicone, NBR, etc.
 - other types of electric motor (proportional, ATEX, other)
 - position indicator S2-A



Visual indicator mounted on axle to indicate throttle valve position



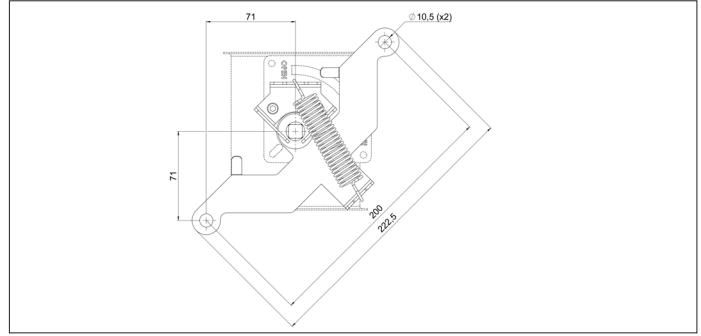
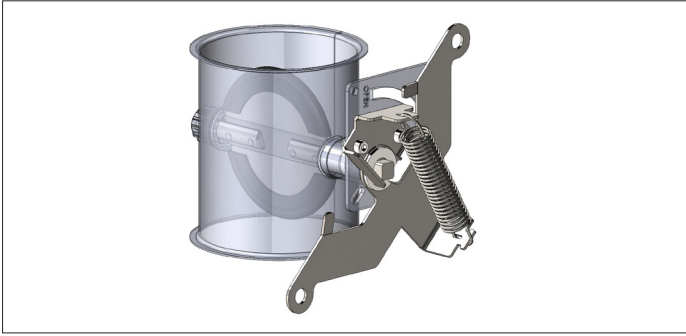
Optional S2-A position detector



Wiring diagram of electric actuator

Ø	Code		L mm	H mm	s1 mm	s2 mm	Open/close sec.	Weight kg
	220V AC	24V AC/DC						
80	AADL000064	AADL000049	201	95	0.88	2 x 1.00 + seal	35	1.29
100	AADL000065	AADL000050	221	115	0.88	2 x 1.00 + seal	35	1.41
120	AADL000066	AADL000051	241	135	0.88	2 x 1.00 + seal	35	1.58
125	AADL000091	AADL000089	246	140	0.88	2 x 1.00 + seal	35	1.62
140	AADL000067	AADL000052	261	155	0.88	2 x 1.00 + seal	35	1.85
150	AADL000068	AADL000053	271	165	0.88	2 x 1.00 + seal	35	1.94
160	AADL000069	AADL000054	281	175	0.88	2 x 1.00 + seal	35	2.04
180	AADL000070	AADL000055	304	195	0.88	2 x 1.00 + seal	150	2.92
200	AADL000071	AADL000056	324	215	0.88	2 x 1.00 + seal	150	3.16
225	AADL000072	AADL000057	349	240	0.88	2 x 1.00 + seal	150	3.63
250	AADL000073	AADL000058	374	265	0.88	2 x 1.00 + seal	150	4.12
275	AADL000074	AADL000059	399	290	0.88	2 x 1.00 + seal	150	4.67
280	AADL000092	AADL000090	404	295	0.88	2 x 1.00 + seal	150	4.76
300	AADL000075	AADL000060	424	315	0.88	2 x 1.00 + seal	150	5.27
315	AADL000076	AADL000061	439	330	0.88	2 x 1.00 + seal	150	5.65
350	AADL000077	AADL000062	474	365	0.88	2 x 1.00 + seal	150	6.62
400	AADL000078	AADL000063	524	415	0.88	2 x 1.00 + seal	150	8.18

AADZ Throttle valves spring-return kit



AADZ Throttle valves spring-return kit

Special kit to transform a ready for pneumatic throttle valve to a manual spring-return model.

One size fits all from Ø80 to Ø800.

Kit composition : handle, spring, handle support, washer, 2 bolts & nuts. Rope or chain not included.

Material

2 mm Stainless steel plate (AISI 304) and metal spring.

Type

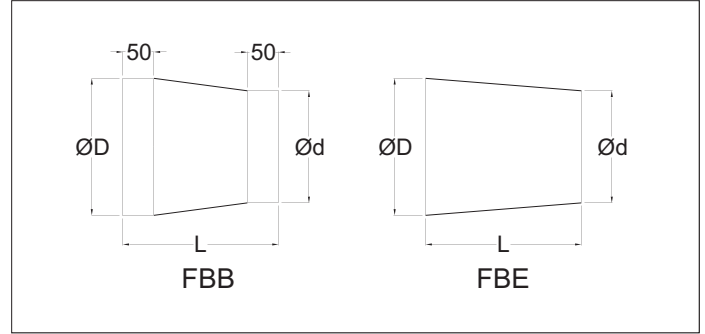
Laser cut plate.

Options

- none

Model	Code	Weight
Ø		kg
80 to 800	AADZ000001	0.50

AAEA Tapers



Tapers

Tapers are longitudinally welded with a stitch-welder for use in overpressure, under-pressure and pressureless systems.

All our tapers are produced so that all types of rings can be used to mount them.

When the diameter difference between ØD and Ød is small, the taper is done with out extra straight extensions (FBE model).

When the diameter difference between ØD and Ød is more than 25 mm, the taper is produced with two straight extensions to fit all rings (FBB model).

How to see which the model based on the diameter differences :

Material

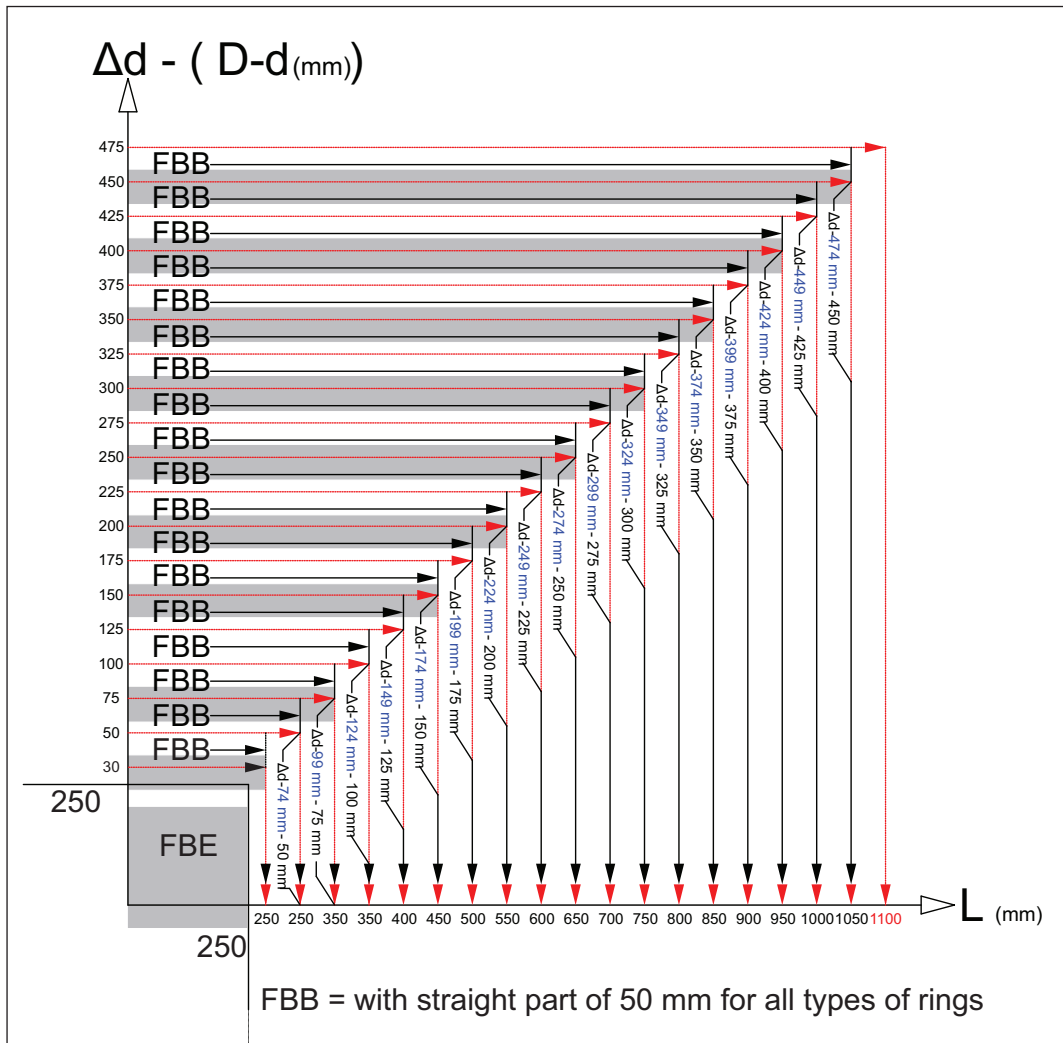
Sendzimir galvanized DX51 DZ 275 MAC.

Type

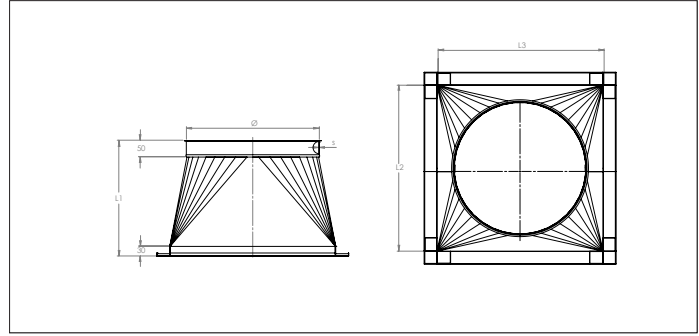
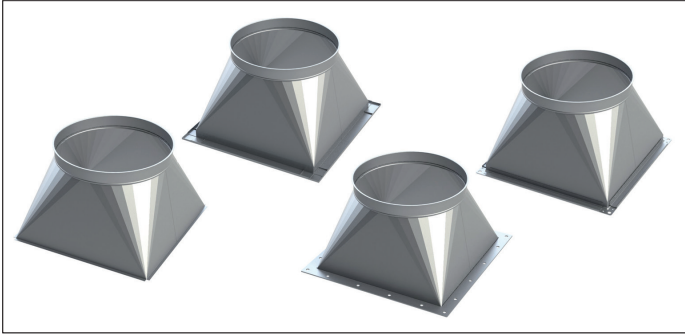
Rolled stitch-welded sheets with 6 mm edges for lock rings.

Options

- other diameters
- other sheet thicknesses depending on diameter and length
- other types of edges or connections



AAEB Transition pieces



AAEB Transition pieces

The transition pieces are produced from bent sheets spot-welded longitudinally. They are designed for a smooth transition between round and rectangular ducting elements for use in overpressure, under-pressure and pressureless systems.

As a standard, they are produced symmetrically but eccentric (or asymmetrical) models can be produced on request.

Depending on the needs of the client or situation, different versions are possible for use with all kinds of furnishings as shown in the drawings above.

The length of the transition piece is based on production standards but other variations can be produced on request.

Material

Sendzimir galvanized DX51 DZ 275 MAC, and Vergacol sealant.

Type

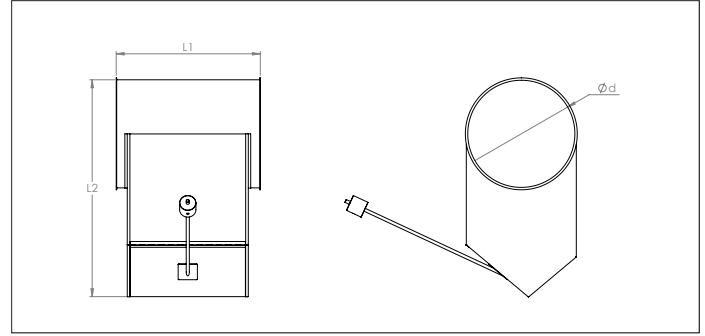
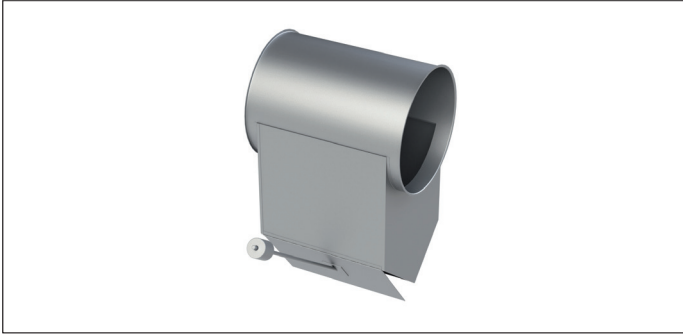
Rolled and folded sheets, spot- and stitch-welded together with 6 mm edges for lock rings.

Options

- asymmetrical execution
- other diameters
- other sheet thicknesses depending on diameter and length
- other types of edges or connections

Ø	Code	L1 mm	L2 mm	L3 mm	s mm	Weight kg
80	AAEB000001	330	100	100	0.88	0.67
100	AAEB000002	330	120	120	0.88	0.83
120	AAEB000003	330	140	140	0.88	0.98
125	AAEB000004	330	145	145	0.88	1.02
140	AAEB000005	330	160	160	0.88	1.13
150	AAEB000006	335	180	180	0.88	1.26
160	AAEB000007	335	190	190	0.88	1.34
180	AAEB000008	335	210	210	0.88	1.49
200	AAEB000009	345	250	250	0.88	1.76
225	AAEB000010	345	275	275	0.88	1.97
250	AAEB000011	345	300	300	0.88	2.17
275	AAEB000012	345	325	325	0.88	2.37
280	AAEB000013	345	330	330	0.88	2.41
300	AAEB000014	345	350	350	0.88	2.58
315	AAEB000015	345	365	365	0.88	2.70
350	AAEB000016	345	400	400	0.88	2.99
400	AAEB000017	345	450	450	0.88	3.41
450	AAEB000018	345	500	500	0.88	3.83
500	AAEB000019	345	550	550	0.88	4.26
550	AAEB000020	345	600	600	0.88	4.69
600	AAEB000021	345	650	650	0.88	5.13
630	AAEB000022	345	680	680	0.88	5.40
650	AAEB000023	345	700	700	0.88	5.58
700	AAEB000024	345	750	750	0.88	6.04
750	AAEB000025	345	800	800	0.88	6.50
800	AAEB000026	345	850	850	0.88	6.97
850	AAEB000027	345	900	900	0.88	7.45
900	AAEB000028	345	950	950	0.88	7.94
950	AAEB000029	345	1000	1000	0.88	8.44
1000	AAEB000030	345	1050	1050	0.88	8.94

AAEC Block traps



AAEC Block traps

The block traps are designed to stop big parts from going to the fan or the filter for use in overpressure, under-pressure and pressureless systems.

Supplied with a lever on the access door with an adjustable counterweight.

They are mainly used in the wood processing industry and are installed in horizontal ducting lines with the discharge door towards the bottom.

As an option, the blocktrap can be delivered with integrated grill to ensure that the transported material doesn't go further in the ducting.

Material

Sendzimir galvanized DX51 DZ 275 MAC, and Vergacol sealant.

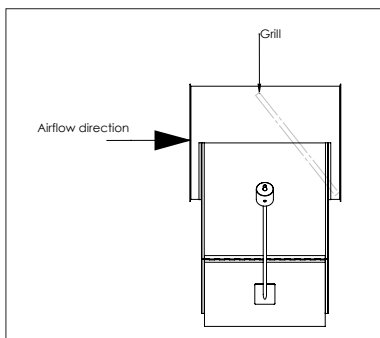
Type

Rolled and cut sheets, spot-welded together, with 6 mm edges for lock rings.

Swivel arm on provided with counter-weight.

Options

- with grill
- other diameters
- other sheet thicknesses depending on diameter and length
- other types of edges or connections



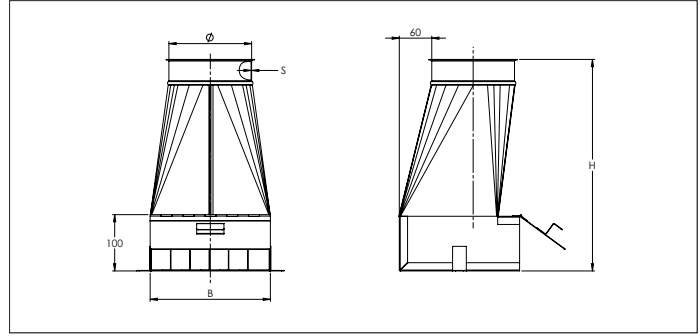
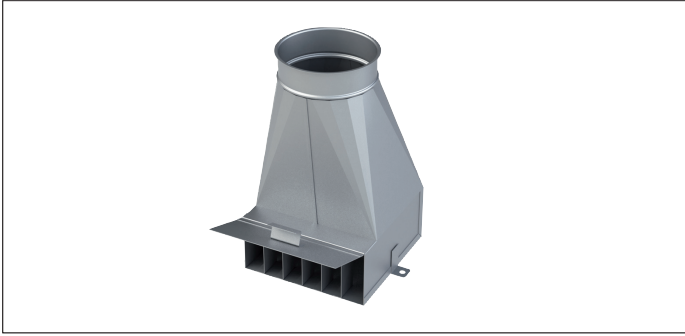
Airflow direction (with optional grill)

❗ Counterweight needs to be adjusted on site depending on the need of the customer.

❗ Horizontal mounting only.

\varnothing	Code	L1 mm	L2 mm	s mm	Weight kg
200	AAEC000001	600	660	0.88	19.50
225	AAEC000002	600	693	0.88	20.50
250	AAEC000003	600	718	0.88	21.70
275	AAEC000004	600	743	0.88	22.50
300	AAEC000005	600	760	0.88	23.00
315	AAEC000006	600	783	0.88	23.50
350	AAEC000007	600	790	0.88	24.10
400	AAEC000008	600	868	0.88	26.00
450	AAEC000009	600	864	0.88	28.00
500	AAEC000010	600	968	0.88	29.90
550	AAEC000011	600	1018	0.88	32.00
600	AAEC000012	600	1068	0.88	33.50

AAED Sweep-ups



AAED Sweep-ups

Sweep-ups for the suction of dust, wood particles and debris in a workshop for use in overpressure, under-pressure and pressureless systems.

Supplied with an access door and grill.

Material

Sendzimir galvanized DX51 DZ 275 MAC.

Type

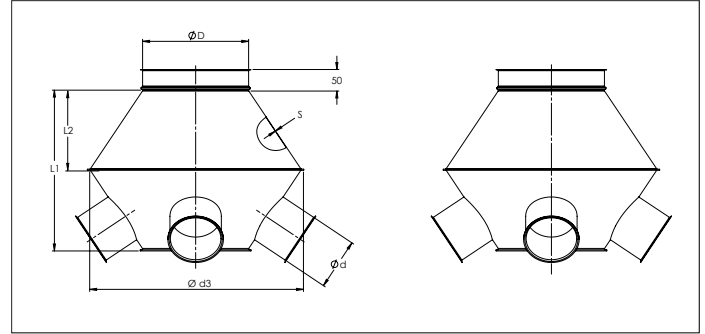
Rolled and cut sheets, spot-welded together, with 6 mm edges for lock rings.

Options

- without grill or lid
- other diameters
- other sheet thicknesses depending on diameter and length
- other types of edges or connections

Ø	Code	B mm	H mm	s mm	Weight kg
80	AAED000001	220	390	0.88	2.60
100	AAED000002	220	390	0.88	2.70
120	AAED000003	220	390	0.88	2.76
125	AAED000013	220	390	0.88	2.77
140	AAED000004	220	390	0.88	2.81
150	AAED000005	220	390	0.88	2.84
160	AAED000006	220	390	0.88	2.87
180	AAED000007	220	390	0.88	2.90
200	AAED000008	220	390	0.88	3.90
225	AAED000009	300	390	0.88	3.95
250	AAED000010	300	390	0.88	4.00
275	AAED000011	300	390	0.88	4.05
280	AAED000012	300	390	0.88	4.06

AAEE Spoutniks



AAEE Spoutniks

The spoutniks are central collectors are standard made of spot-welded sheets. They are designed for centralizing dust removal from one machine or a group of machines for use in overpressure, under-pressure and pressureless systems.

Usually directly connected to the machines by means of flexible hoses, but other types of connections are possible.

The suction points can vary in number as well as in their finishing. These will have to be specified when ordering.

Material

Sendzimir galvanized DX51 DZ 275 MAC, and Vergacol sealant.

Type

Rolled sheets spot- and stitch-welded together with 6 mm edges for lock rings.

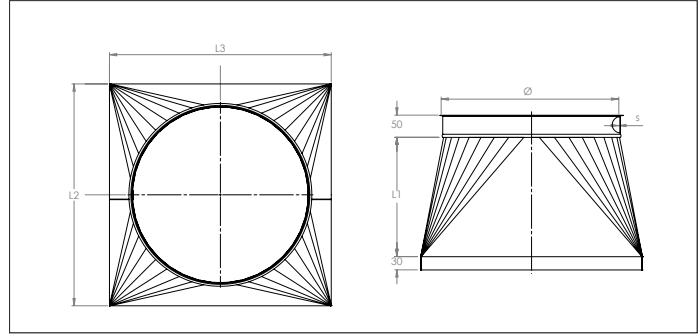
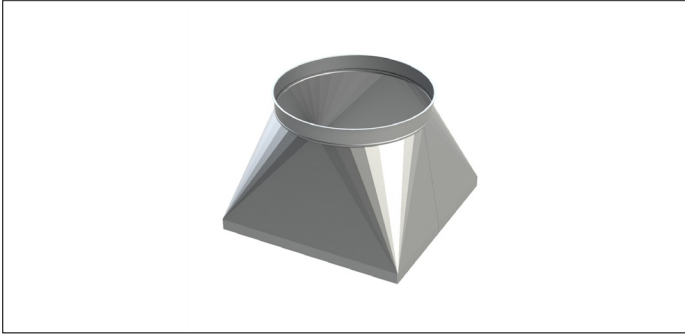
Options

- other diameters
- other sheet thicknesses depending on diameter and length
- other types of edges or connections

! Specify number of suction points and diameters when ordering. Maximum 9 points.

# of outlets	Code	L1 mm	L2 mm	Ø3 mm	s mm	Weight kg
3 to 4	AAEE	On request	On request	On request	0.88	On request
5 to 9	AAEE	On request	On request	On request	0.88	On request

AAEF Suction hoods



AAEF Suction hoods

The suction hoods are produced from bent sheets spot-welded longitudinally. Often used to remove loaded air over a work station, they are also designed to be integrated in other equipment for use in overpressure, under-pressure and pressureless systems.

As a standard, they are produced symmetrically but eccentric (or asymmetrical) models can be produced on request.

Depending on the needs of the client or situation, different versions are possible for use with all kinds of rings.

The lengths of the suction hoods are based on our production standards but other variations can be produced on request.

Material

Sendzimir galvanized DX51 DZ 275 MAC, and Vergacol sealant.

Type

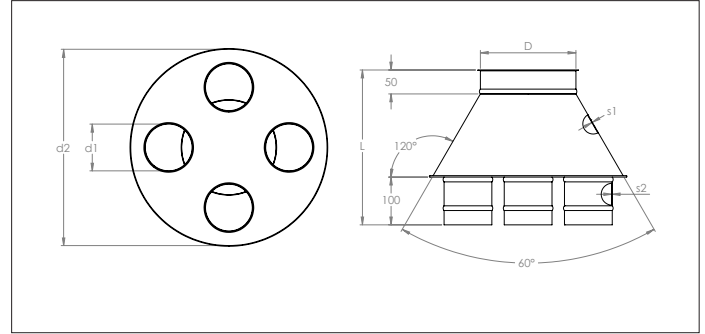
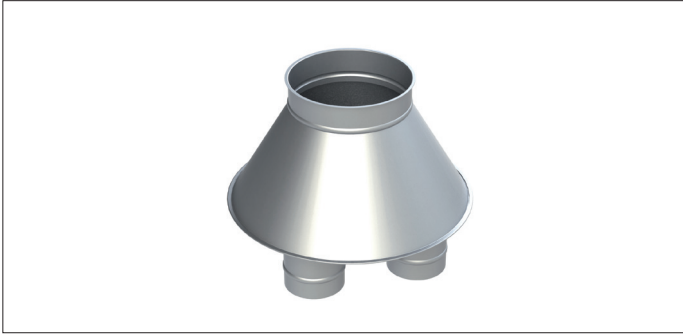
Rolled sheets spot- and stitch-welded together with 6 mm edges for lock rings.

Options

- asymmetrical version
- other diameters
- other sheet thicknesses depending on diameter and length
- other types of edges or connections

Ø	Code	L1 mm	L2 mm	L3 mm	s mm	Weight kg
80 to 1000	AAEF	On request	On request	On request	0.88	On request

AAEG Round suction hoods



AAEG Round suction hoods

The round suction hoods are central collectors are standard made of spot-welded sheets. They are designed for centralizing dust removal from one machine or a group of machines for use in overpressure, under-pressure and pressureless systems.

Usually directly connected to the machines by means of flexible hoses, but other types of connections are possible.

The suction points can vary in number as well as in their finishing. These will have to be specified when ordering.

Material

Sendzimir galvanized DX51 DZ 275 MAC, and Vergacol sealant.

Type

Rolled sheets spot- and stitch-welded together with 6 mm edges for lock rings.

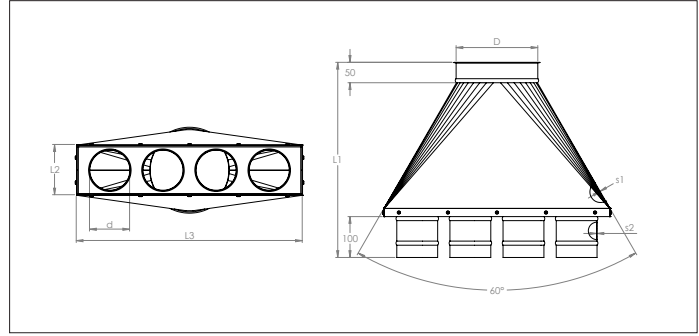
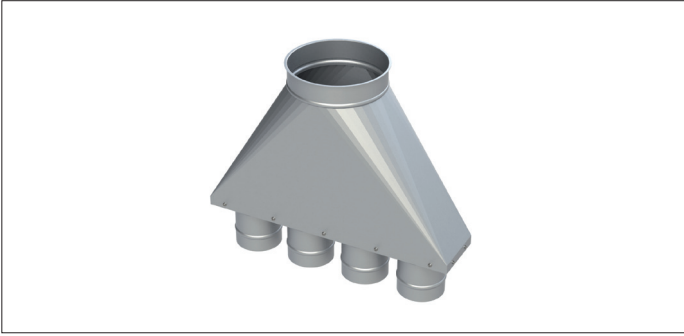
Options

- other diameters
- other sheet thicknesses depending on diameter and length
- other types of edges or connections

! Specify number of suction points and diameters when ordering. Maximum 9 points.

# of outlets	Code	L1 mm	L2 mm	Ø3 mm	s mm	Weight kg
3 to 4	AAEG	On request	On request	On request	0.88	On request
5 to 9	AAEG	On request	On request	On request	0.88	On request

AAEH Square suction hoods



AAEH Square suction hoods

The square suction hoods are central collectors are standard made of spot-welded sheets. They are designed for centralizing dust removal from one machine or a group of machines for use in overpressure, under-pressure and pressureless systems.

Usually directly connected to the machines by means of flexible hoses, but other types of connections are possible.

The suction points can vary in number as well as in their finishing. These will have to be specified when ordering.

Material

Sendzimir galvanized DX51 DZ 275 MAC, and Vergacol sealant.

Type

Rolled sheets spot- and stitch-welded together with 6 mm edges for lock rings.

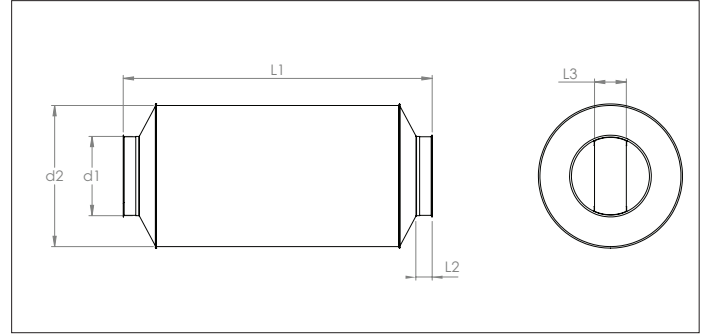
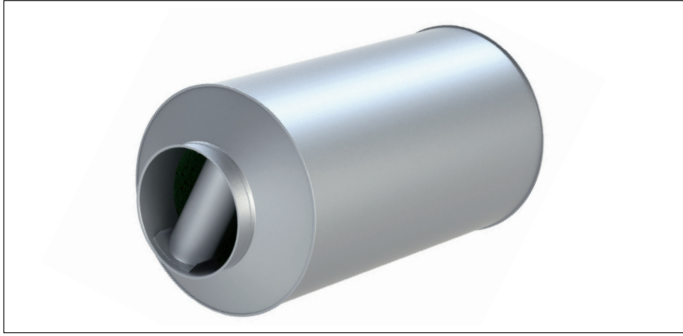
Options

- other diameters
- other sheet thicknesses depending on diameter and length
- other types of edges or connections

! Specify number of suction points and diameters when ordering. Maximum 9 points.

# of outlets	Code	L1 mm	L2 mm	Ø3 mm	s mm	Weight kg
3 to 4	AAEH	On request	On request	On request	0.88	On request
5 to 9	AAEH	On request	On request	On request	0.88	On request

AAFA silencers - clean air with baffle L = 2000



AAFA silencers - clean air with baffle L = 2000

AAFA silencers are designed to reduce the sound in ducting or in the workshop for use in overpressure, under-pressure and pressureless systems.

The silencers are made of galvanized sheet metal with sound absorbing material applied on the inside.

Material

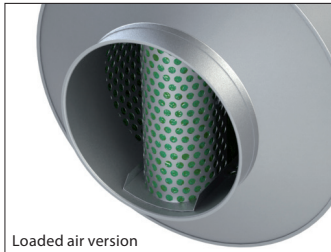
Sendzimir galvanized
100 mm soundproofing material (max. peaks of +100°C)

Type

Rolled stitch-welded sheets with 6 mm edges for lock rings.

Options

- other diameters
- other lengths
- other sheet thickness
- with perforated sheet metal plate for loaded air
- with Tedlar foil for moist medium
- stainless steel (AISI 304)
- painted version
- other types of edges or connections



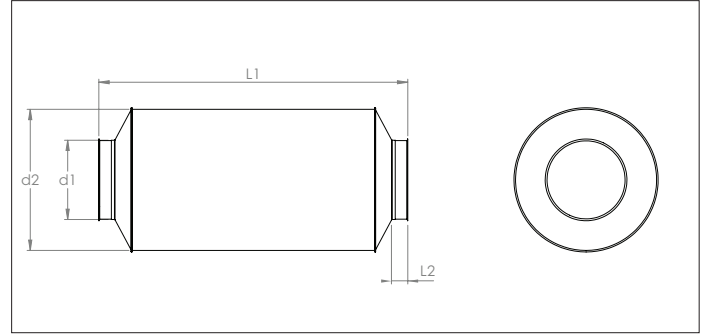
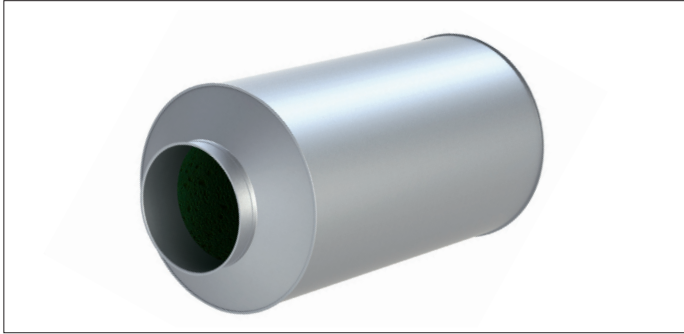
Loaded air version

Ø	Model	Ø d1 mm	Ø d2 mm	L1 mm	L2 mm	L3 mm	s mm	Weight kg
225	AAFA000265	225	425	2000	50	100	0.88	38,40
250	AAFA000266	250	450	2000	50	100	0.88	40,80
275	AAFA000267	275	475	2000	50	100	0.88	43,20
300	AAFA000268	300	500	2000	50	100	0.88	45,60
315	AAFA000269	315	515	2000	50	100	0.88	53,00
350	AAFA000270	350	550	2000	50	100	0.88	58,40
400	AAFA000271	400	600	2000	50	100	0.88	62,80
450	AAFA000272	450	650	2000	50	100	0.88	69,20
500	AAFA000273	500	700	2000	50	100	0.88	80,00
550	AAFA000274	550	750	2000	50	100	0.88	80,60
600	AAFA000275	600	800	2000	50	100	0.88	87,00
630	AAFA000276	630	830	2000	50	100	0.88	94,40
650	AAFA000277	650	850	2000	50	100	0.88	98,80
700	AAFA000398	700	900	2000	50	100	0.88	117,20
750	AAFA000399	750	950	2000	50	100	0.88	131,92
800	AAFA000400	800	1000	2000	50	100	0.88	141,60
850	AAFA000401	850	1050	2000	50	100	0.88	151,32
900	AAFA000402	900	1100	2000	50	100	0.88	157,00
950	AAFA000403	950	1150	2000	50	100	0.88	169,48
1000	AAFA000404	1000	1200	2000	50	100	0.88	182,16

AAFA silencers - clean air with baffle L = 2000

Ø	Model	dB attenuation at frequencies								Damping dB(A)	Pressure loss (Pa)			m ³ /h		
		63Hz	125Hz	250Hz	500Hz	1kHz	2kHz	4kHz	8kHz		10 m/s	15 m/s	20 m/s	10 m/s	15 m/s	20 m/s
225	AAFA000265	9	17	34	50	50	40	44	26	54	213	493	1085	621	932	1243
250	AAFA000266	9	16	33	50	50	40	42	25	54	197	444	932	867	1301	1734
275	AAFA000267	8	16	32	50	50	39	41	24	53	187	425	935	1148	1722	2296
300	AAFA000268	8	16	32	50	50	39	39	23	53	187	417	875	1465	2197	2929
315	AAFA000269	9	15	30	50	50	38	37	22	53	179	400	879	1672	2507	3343
350	AAFA000270	9	15	30	50	50	38	36	23	53	170	383	803	2204	3305	4407
400	AAFA000271	7	15	30	50	50	37	34	22	53	162	364	800	3084	4626	6168
450	AAFA000272	7	14	28	50	50	37	32	22	53	155	349	732	4106	6158	8211
500	AAFA000273	8	13	25	47	50	37	30	20	52	150	337	741	5269	7903	10537
550	AAFA000274	7	12	23	42	50	35	27	18	51	134	303	635	6573	9859	13146
600	AAFA000275	7	11	20	38	46	32	21	18	47	138	306	673	8019	12028	16038
630	AAFA000276	7	11	20	34	42	30	20	17	43	139	315	660	8954	13431	17908
650	AAFA000277	5	11	19	31	41	27	17	16	42	134	298	655	9606	14409	19212
700	AAFA000398	8	14	26	35	41	30	27	16	42	128	287	603	11334	17002	22669
750	AAFA000399	8	12	21	38	36	33	20	16	41	129	292	643	13204	19806	26409
800	AAFA000400	7	12	21	36	34	30	19	18	39	131	296	621	15216	22823	30431
850	AAFA000401	5	11	19	32	32	29	18	16	36	129	292	643	17368	26052	34736
900	AAFA000402	5	11	18	30	30	27	17	15	34	129	289	607	19662	29493	39324
950	AAFA000403	5	10	17	27	27	25	16	16	32	128	255	561	22098	33146	44195
1000	AAFA000404	5	10	17	26	25	24	15	17	30	126	204	428	21074	31612	42149

AAFA silencers - clean air L = 2000



AAFA silencers - clean air L = 2000

AAFA silencers are designed to reduce the sound in ducting or in the workshop for use in overpressure, under-pressure and pressureless systems.

The silencers are made of galvanized sheet metal with sound absorbing material applied on the inside.

Material

Sendzimir galvanized

100 mm soundproofing material (max. peaks of +100°C)

Type

Rolled stitch-welded sheets with 6 mm edges for lock rings.

Options

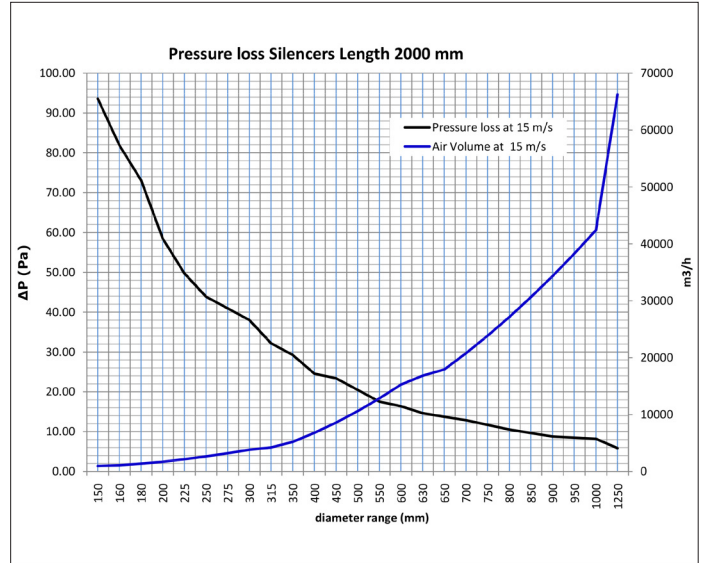
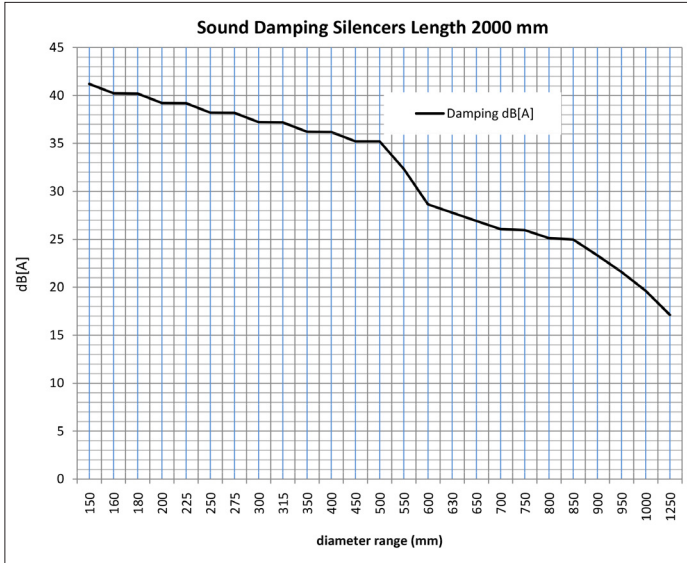
- other diameters
- other lengths
- other sheet thickness
- with perforated sheet metal plate for loaded air
- with Tedlar foil for moist medium
- stainless steel (AISI 304)
- painted version
- other types of edges or connections



Loaded air version

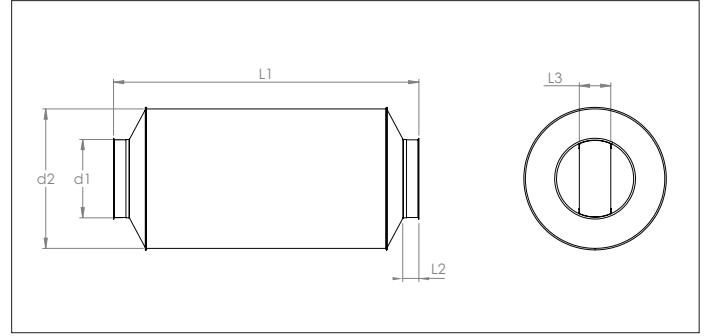
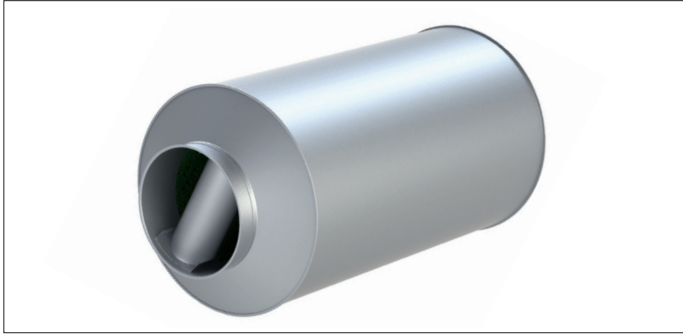
Ø	Model	Ø d1 mm	Ø d2 mm	L1 mm	L2 mm	s mm	Weight kg
150	AAFA000138	150	350	2000	50	0.88	22.00
160	AAFA000139	160	360	2000	50	0.88	24.00
180	AAFA000140	180	380	2000	50	0.88	28.00
200	AAFA000141	200	400	2000	50	0.88	30.00
225	AAFA000142	225	425	2000	50	0.88	32.00
250	AAFA000143	250	450	2000	50	0.88	34.00
275	AAFA000144	275	475	2000	50	0.88	36.00
300	AAFA000145	300	500	2000	50	0.88	38.00
315	AAFA000146	315	515	2000	50	0.88	45.00
350	AAFA000147	350	550	2000	50	0.88	50.00
400	AAFA000148	400	600	2000	50	0.88	54.00
450	AAFA000149	450	650	2000	50	0.88	60.00
500	AAFA000150	500	700	2000	50	0.88	66.00
550	AAFA000151	550	750	2000	50	0.88	71.00
600	AAFA000152	600	800	2000	50	0.88	77.00
630	AAFA000153	630	830	2000	50	0.88	85.00
650	AAFA000154	650	850	2000	50	0.88	90.00
700	AAFA000306	700	900	2000	50	0.88	109.00
750	AAFA000307	750	950	2000	50	0.88	123.32
800	AAFA000308	800	1000	2000	50	0.88	132.08
850	AAFA000309	850	1050	2000	50	0.88	142.32
900	AAFA000310	900	1100	2000	50	0.88	147.80
950	AAFA000311	950	1150	2000	50	0.88	160.08
1000	AAFA000312	1000	1200	2000	50	0.88	172.56

AAFA silencers - clean air L = 2000



Ø	Model	dB attenuation at frequencies								Damping dB(A)	Pressure loss (Pa)			m³/h		
		63Hz	125Hz	250Hz	500Hz	1kHz	2kHz	4kHz	8kHz		10 m/s	15 m/s	20 m/s	10 m/s	15 m/s	20 m/s
150	AAFA000138	10	17	23	41	22	20	15	17	41	41.60	91.00	228.15	636	954	1272
160	AAFA000139	9	16	23	40	22	19	14	16	40	36.40	78.00	202.80	724	1086	1448
180	AAFA000140	9	15	22	40	21	19	13	16	40	32.50	65.00	187.59	916	1374	1832
200	AAFA000141	9	14	22	39	20	18	12	14	39	26.00	59.80	177.45	1131	1696	2262
225	AAFA000142	8	14	21	39	20	18	12	14	39	22.10	52.00	152.10	1431	2147	2863
250	AAFA000143	8	13	21	38	19	17	11	11	38	19.50	44.20	126.75	1767	2651	3534
275	AAFA000144	8	13	20	38	19	17	11	11	38	18.20	41.60	116.61	2138	3207	4276
300	AAFA000145	7	13	20	37	18	16	10	10	37	16.90	39.00	101.40	2545	3817	5089
315	AAFA000146	7	12	19	37	18	16	10	10	37	14.30	31.20	86.19	2806	4208	5611
350	AAFA000147	7	12	19	36	17	15	9	9	36	13.00	26.00	81.12	3464	5195	6927
400	AAFA000148	6	11	18	36	17	15	9	9	36	10.92	22.10	76.05	4524	6786	9048
450	AAFA000149	6	11	18	35	16	14	8	8	35	10.40	19.50	60.84	5726	8588	11451
500	AAFA000150	6	11	18	35	16	14	8	8	35	9.10	17.94	50.70	7069	10603	14137
550	AAFA000151	5	10	17	32	15	13	7	7	32	7.80	15.60	43.10	8553	12829	17106
600	AAFA000152	5	9	16	28	14	12	6	7	29	7.28	14.30	38.03	10179	15268	20358
630	AAFA000153	4	8	16	27	14	12	6	7	28	6.50	13.00	34.98	11222	16833	22444
650	AAFA000154	4	7	16	26	14	11	6	6	27	6.11	11.70	30.42	11946	17919	23892
700	AAFA000306	4	6	16	25	13	11	6	6	26	5.72	10.40	27.89	13854	20782	27709
750	AAFA000307	4	6	15	25	13	11	5	6	26	5.20	9.75	25.35	15904	23856	31809
800	AAFA000308	4	6	15	24	12	11	5	6	25	4.68	9.10	22.82	18096	27143	36191
850	AAFA000309	3	6	14	24	12	10	5	5	25	4.29	8.45	20.28	20428	30642	40856
900	AAFA000310	3	6	14	22	11	9	4	4	23	3.90	7.80	19.01	22902	34353	45804
950	AAFA000311	2	4	13	20	10	7	4	4	22	3.77	7.28	17.75	25518	38276	51035
1000	AAFA000312	2	4	13	17	9	7	4	3	20	3.64	6.50	16.48	28274	42412	56549

AAFA silencers - clean air with baffle L = 1500



AAFA silencers - clean air with baffle L = 1500

AAFA silencers are designed to reduce the sound in ducting or in the workshop for use in overpressure, under-pressure and pressureless systems.

The silencers are made of galvanized sheet metal with sound absorbing material applied on the inside.

Material

Sendzimir galvanized

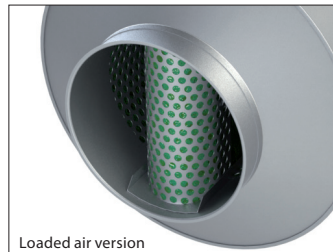
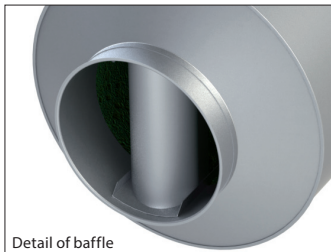
100 mm soundproofing material (max. peaks of +100°C)

Type

Rolled stitch-welded sheets with 6 mm edges for lock rings.

Options

- other diameters
- other lengths
- other sheet thickness
- with perforated sheet metal plate for loaded air
- with Tedlar foil for moist medium
- stainless steel (AISI 304)
- painted version
- other types of edges or connections

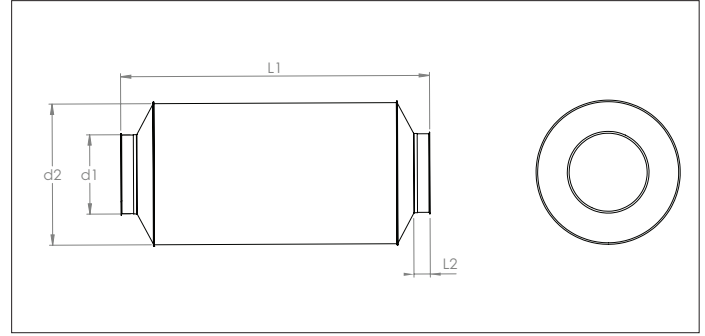
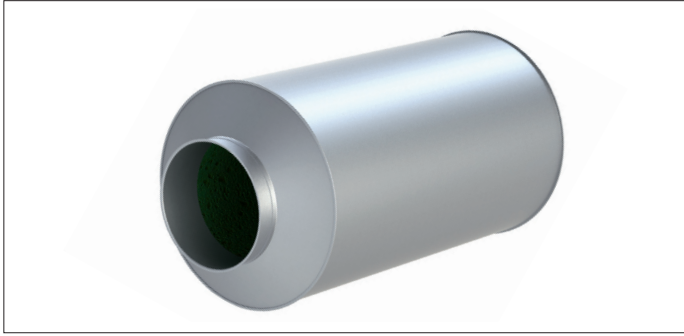


Ø	Model	Ø d1 mm	Ø d2 mm	L1 mm	L2 mm	L3 mm	s mm	Weight kg
225	AAFA000225	225	425	1500	50	100	0.88	28.80
250	AAFA000226	250	450	1500	50	100	0.88	30.60
275	AAFA000227	275	475	1500	50	100	0.88	32.40
300	AAFA000228	300	500	1500	50	100	0.88	34.20
315	AAFA000229	315	515	1500	50	100	0.88	39.75
350	AAFA000230	350	550	1500	50	100	0.88	43.80
400	AAFA000231	400	600	1500	50	100	0.88	47.10
450	AAFA000232	450	650	1500	50	100	0.88	51.90
500	AAFA000233	500	700	1500	50	100	0.88	60.00
550	AAFA000234	550	750	1500	50	100	0.88	60.45
600	AAFA000235	600	800	1500	50	100	0.88	65.25
630	AAFA000236	630	830	1500	50	100	0.88	70.80
650	AAFA000237	650	850	1500	50	100	0.88	74.10
700	AAFA000390	700	900	1500	50	100	0.88	87.90
750	AAFA000391	750	950	1500	50	100	0.88	98.94
800	AAFA000392	800	1000	1500	50	100	0.88	106.20
850	AAFA000393	850	1050	1500	50	100	0.88	113.49
900	AAFA000394	900	1100	1500	50	100	0.88	117.75
950	AAFA000395	950	1150	1500	50	100	0.88	127.11
1000	AAFA000396	1000	1200	1500	50	100	0.88	136.58

AAFA silencers - clean air with baffle L = 1500

Ø	Model	dB attenuation at frequencies								Damping dB(A)	Pressure loss (Pa)			m ³ /h		
		63Hz	125Hz	250Hz	500Hz	1kHz	2kHz	4kHz	8kHz		10 m/s	15 m/s	20 m/s	10 m/s	15 m/s	20 m/s
225	AAFA000225	8	15	23	42	50	50	50	48	56	155	400	840	621	932	1243
250	AAFA000226	7	14	22	41	50	50	50	44	55	149	335	703.5	867	1301	1734
275	AAFA000227	7	13	21	40	50	50	50	40	55	143	325	682.5	1148	1722	2296
300	AAFA000228	7	12	20	38	50	50	50	36	55	138	315	661.5	1465	2197	2929
315	AAFA000229	7	12	20	37	50	50	50	34	55	130	292	613.2	1672	2507	3343
350	AAFA000230	6	11	18	35	50	50	45	30	54	125	280	588	2204	3305	4407
400	AAFA000231	6	10	17	33	50	50	40	26	53	114	256	537.6	3084	4626	6168
450	AAFA000232	5	9	16	31	50	50	36	23	53	108	242	508.2	4106	6158	8211
500	AAFA000233	5	9	16	30	50	50	33	21	53	104	234	491.4	5269	7903	10537
550	AAFA000234	4	8	15	30	50	48	29	19	52	100	218	457.8	6573	9859	13146
600	AAFA000235	4	8	14	29	50	46	27	18	51	98	215	451.5	8019	12028	16038
630	AAFA000236	4	8	14	29	50	44	26	16	51	95	213	447.3	8954	13431	17908
650	AAFA000237	4	7	13	28	50	42	24	15	51	94	212	445.2	9606	14409	19212
700	AAFA000390	4	7	13	28	50	41	23	14	51	94	211	443.1	11334	17002	22669
750	AAFA000391	3	6	13	27	49	38	21	13	49	94	210	441	13204	19806	26409
800	AAFA000392	3	6	13	26	49	37	20	12	49	93	209	438.9	15216	22823	30431
850	AAFA000393	3	6	12	25	48	35	18	11	48	89	199	417.9	17368	26052	34736
900	AAFA000394	3	6	12	24	47	34	17	11	47	84	189	396.9	19662	29493	39324
950	AAFA000395	3	6	11	23	46	33	16	10	46	83	156	327.6	22098	33146	44195
1000	AAFA000396	3	6	11	23	45	33	16	10	45	82	133	279.3	21074	31612	42149

AAFA silencers - clean air L = 1500



AAFA silencers - clean air L = 1500

AAFA silencers are designed to reduce the sound in ducting or in the workshop for use in overpressure, under-pressure and pressureless systems.

The silencers are made of galvanized sheet metal with sound absorbing material applied on the inside.

Material

Sendzimir galvanized
100 mm soundproofing material (max. peaks of +100°C)

Type

Rolled stitch-welded sheets with 6 mm edges for lock rings.

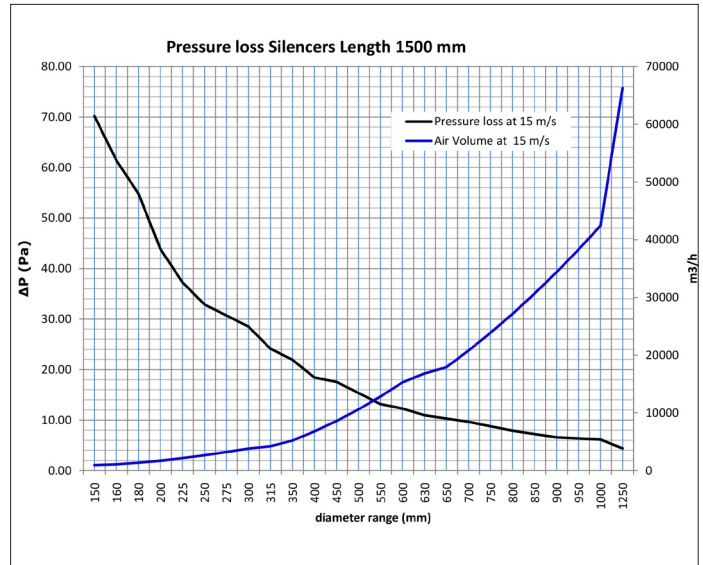
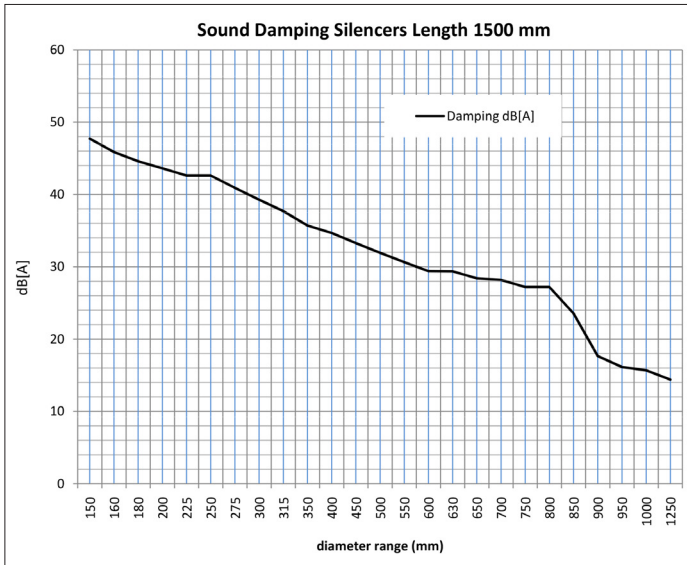
Options

- other diameters
- other lengths
- other sheet thickness
- with perforated sheet metal plate for loaded air
- with Tedlar foil for moist medium
- stainless steel (AISI 304)
- painted version
- other types of edges or connections



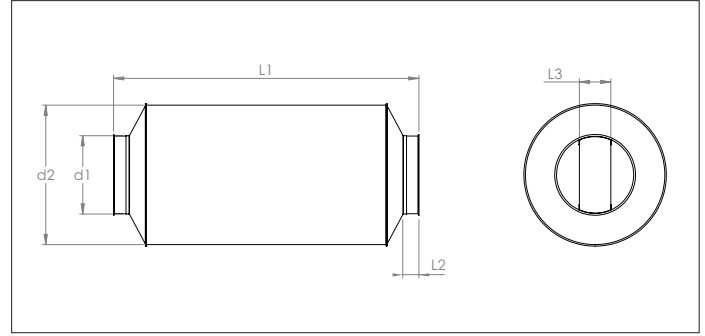
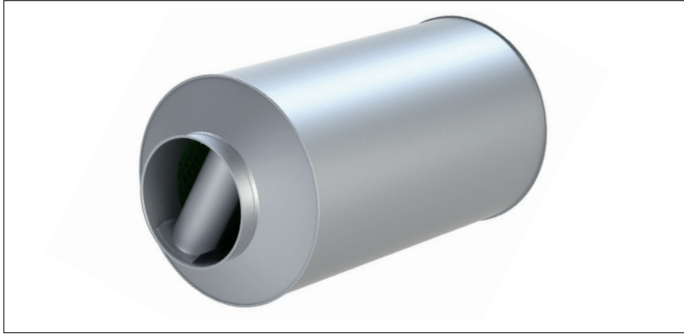
Ø	Model	Ø d1 mm	Ø d2 mm	L1 mm	L2 mm	s mm	Weight kg
150	AAFA000091	150	350	1500	50	0.88	17.70
160	AAFA000092	160	360	1500	50	0.88	19.20
180	AAFA000093	180	380	1500	50	0.88	22.50
200	AAFA000094	200	400	1500	50	0.88	24.00
225	AAFA000095	225	425	1500	50	0.88	25.80
250	AAFA000096	250	450	1500	50	0.88	27.30
275	AAFA000097	275	475	1500	50	0.88	29.10
300	AAFA000098	300	500	1500	50	0.88	30.60
315	AAFA000099	315	515	1500	50	0.88	23.90
350	AAFA000100	350	550	1500	50	0.88	39.90
400	AAFA000101	400	600	1500	50	0.88	43.20
450	AAFA000102	450	650	1500	50	0.88	48.00
500	AAFA000103	500	700	1500	50	0.88	53.10
550	AAFA000104	550	750	1500	50	0.88	57.15
600	AAFA000105	600	800	1500	50	0.88	61.95
630	AAFA000106	630	830	1500	50	0.88	63.00
650	AAFA000107	650	850	1500	50	0.88	66.00
700	AAFA000314	700	900	1500	50	0.88	79.50
750	AAFA000315	750	950	1500	50	0.88	90.24
800	AAFA000316	800	1000	1500	50	0.88	97.20
850	AAFA000317	850	1050	1500	50	0.88	104.24
900	AAFA000318	900	1100	1500	50	0.88	108.15
950	AAFA000319	950	1150	1500	50	0.88	117.21
1000	AAFA000320	1000	1200	1500	50	0.88	126.42

AAFA silencers - clean air L = 1500



Ø	Model	dB attenuation at frequencies								Damping dB(A)	Pressure loss (Pa)			m³/h		
		63Hz	125Hz	250Hz	500Hz	1kHz	2kHz	4kHz	8kHz		10 m/s	15 m/s	20 m/s	10 m/s	15 m/s	20 m/s
150	AAFA000091	8	18	24	41	46	38	20	19	48	31.20	68.25	133.09	636	954	1272
160	AAFA000092	6	12	23	40	44	35	18	17	46	27.30	58.50	114.08	724	1086	1448
180	AAFA000093	6	11	22	39	43	28	16	15	45	24.38	48.75	95.06	916	1374	1832
200	AAFA000094	4	11	22	38	42	28	16	13	44	19.50	44.85	87.46	1131	1696	2262
225	AAFA000095	4	10	21	37	41	27	15	12	43	16.58	39.00	76.05	1431	2147	2863
250	AAFA000096	4	11	21	37	41	27	15	12	43	14.63	33.15	64.64	1767	2651	3534
275	AAFA000097	3	10	18	36	39	25	13	11	41	13.65	31.20	60.84	2138	3207	4276
300	AAFA000098	3	10	17	35	37	23	11	10	39	12.68	29.25	57.04	2545	3817	5089
315	AAFA000099	3	9	18	34	35	21	10	9	38	10.73	23.40	45.63	2806	4208	5611
350	AAFA000100	3	8	17	33	32	18	9	8	36	9.75	19.50	38.03	3464	5195	6927
400	AAFA000101	3	7	16	32	31	16	7	7	35	8.19	16.58	32.32	4524	6786	9048
450	AAFA000102	2	6	15	31	29	14	6	6	33	7.80	14.63	28.52	5726	8588	11451
500	AAFA000103	2	6	14	30	27	13	5	6	32	6.83	13.46	26.24	7069	10603	14137
550	AAFA000104	2	6	13	29	25	12	5	5	31	5.85	11.70	22.82	8553	12829	17106
600	AAFA000105	2	5	12	28	23	11	4	4	29	5.46	10.73	20.91	10179	15268	20358
630	AAFA000106	2	5	12	28	23	10	4	4	29	4.88	9.75	19.01	11222	16833	22444
650	AAFA000107	2	5	12	27	22	9	3	4	28	4.58	8.78	17.11	11946	17919	23892
700	AAFA000314	2	5	11	27	21	9	3	4	28	4.29	7.80	15.21	13854	20782	27709
750	AAFA000315	2	5	11	26	20	8	2	3	27	3.90	7.31	14.26	15904	23856	31809
800	AAFA000316	2	4	11	26	20	8	2	3	27	3.51	6.83	13.31	18096	27143	36191
850	AAFA000317	1	4	11	20	20	8	2	3	24	3.22	6.34	12.36	20428	30642	40856
900	AAFA000318	1	4	12	14	7	6	3	4	18	2.93	5.85	11.41	22902	34353	45804
950	AAFA000319	1	3	10	12	6	6	3	3	16	2.83	5.46	10.65	25518	38276	51035
1000	AAFA000320	1	3	10	11	6	5	3	3	16	2.73	4.88	9.51	28274	42412	56549

AAFA silencers - clean air with baffle L = 1000



AAFA silencers - clean air with baffle L = 1000

AAFA silencers are designed to reduce the sound in ducting or in the workshop for use in overpressure, under-pressure and pressureless systems.

The silencers are made of galvanized sheet metal with sound absorbing material applied on the inside.

Material

Senzimir galvanized

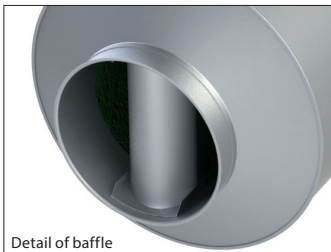
100 mm soundproofing material (max. peaks of +100°C)

Type

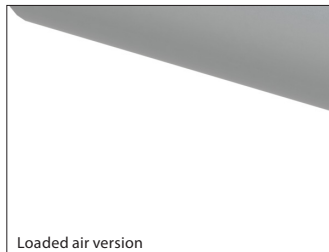
Rolled stitch-welded sheets with 6 mm edges for lock rings.

Options

- other diameters
- other lengths
- other sheet thickness
- with perforated sheet metal plate for loaded air
- with Tedlar foil for moist medium
- stainless steel (AISI 304)
- painted version
- other types of edges or connections



Detail of baffle



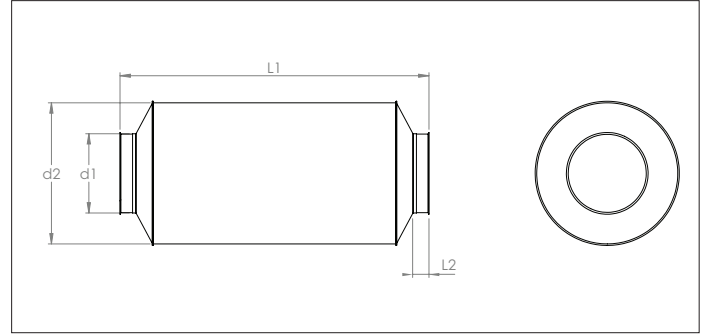
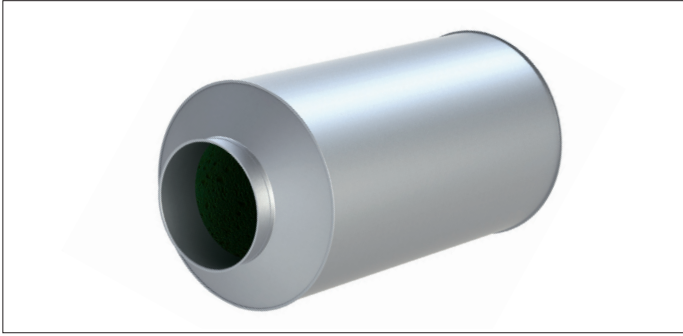
Loaded air version

Ø	Model	Ø d1 mm	Ø d2 mm	L1 mm	L2 mm	L3 mm	s mm	Weight kg
225	AAFA000205	225	425	1000	50	100	0.88	19.20
250	AAFA000206	250	450	1000	50	100	0.88	20.40
275	AAFA000207	275	475	1000	50	100	0.88	21.60
300	AAFA000208	300	500	1000	50	100	0.88	22.80
315	AAFA000209	315	515	1000	50	100	0.88	26.50
350	AAFA000210	350	550	1000	50	100	0.88	29.20
400	AAFA000211	400	600	1000	50	100	0.88	31.40
450	AAFA000212	450	650	1000	50	100	0.88	34.60
500	AAFA000213	500	700	1000	50	100	0.88	40.00
550	AAFA000214	550	750	1000	50	100	0.88	40.30
600	AAFA000215	600	800	1000	50	100	0.88	43.50
630	AAFA000216	630	830	1000	50	100	0.88	47.20
650	AAFA000217	650	850	1000	50	100	0.88	49.40
700	AAFA000382	700	900	1000	50	100	0.88	58.60
750	AAFA000383	750	950	1000	50	100	0.88	65.96
800	AAFA000384	800	1000	1000	50	100	0.88	70.80
850	AAFA000385	850	1050	1000	50	100	0.88	75.66
900	AAFA000386	900	1100	1000	50	100	0.88	78.50
950	AAFA000387	950	1150	1000	50	100	0.88	84.74
1000	AAFA000388	1000	1200	1000	50	100	0.88	91.08

AAFA silencers - clean air with baffle L = 1000

Ø	Model	dB attenuation at frequencies								Damping dB(A)	Pressure loss (Pa)			m ³ /h		
		63Hz	125Hz	250Hz	500Hz	1kHz	2kHz	4kHz	8kHz		10 m/s	15 m/s	20 m/s	10 m/s	15 m/s	20 m/s
225	AAFA000205	5	10	19	31	49	50	50	39	55	125	290	638	621	932	1243
250	AAFA000206	5	10	17	30	47	50	50	36	54	116	261	548	867	1301	1734
275	AAFA000207	4	9	16	29	46	48	48	33	52	110	250	550	1148	1722	2296
300	AAFA000208	4	9	16	28	45	46	44	30	50	110	245	515	1465	2197	2929
315	AAFA000209	4	9	15	27	44	45	39	27	48	105	235	517	1672	2507	3343
350	AAFA000210	3	8	14	26	42	41	34	24	45	100	225	473	2204	3305	4407
400	AAFA000211	3	7	13	25	40	38	29	21	42	95	214	471	3084	4626	6168
450	AAFA000212	3	7	12	24	39	35	26	18	41	91	205	431	4106	6158	8211
500	AAFA000213	2	6	12	23	38	33	24	17	39	88	198	436	5269	7903	10537
550	AAFA000214	2	6	11	22	36	31	21	15	37	79	178	374	6573	9859	13146
600	AAFA000215	2	5	11	21	35	30	20	14	36	81	180	396	8019	12028	16038
630	AAFA000216	2	5	11	21	34	29	19	13	36	82	185	389	8954	13431	17908
650	AAFA000217	2	5	10	20	33	28	18	12	35	79	175	385	9606	14409	19212
700	AAFA000382	2	5	10	20	33	27	17	12	34	75	169	355	11334	17002	22669
750	AAFA000383	2	5	9	19	32	26	15	11	33	76	172	378	13204	19806	26409
800	AAFA000384	2	5	9	19	31	25	14	10	32	77	174	365	15216	22823	30431
850	AAFA000385	2	4	9	18	30	24	13	9	31	76	172	378	17368	26052	34736
900	AAFA000386	2	4	9	18	30	23	13	9	31	76	170	357	19662	29493	39324
950	AAFA000387	2	4	8	17	29	22	12	8	30	75	150	330	22098	33146	44195
1000	AAFA000388	2	4	8	17	29	22	12	8	30	74	120	252	21074	31612	42149

AAFA silencers - clean air L = 1000



AAFA silencers - clean air L = 1000

AAFA silencers are designed to reduce the sound in ducting or in the workshop for use in overpressure, under-pressure and pressureless systems.

The silencers are made of galvanized sheet metal with sound absorbing material applied on the inside.

Material

Sendzimir galvanized
100 mm soundproofing material (max. peaks of +100°C)

Type

Rolled stitch-welded sheets with 6 mm edges for lock rings.

Options

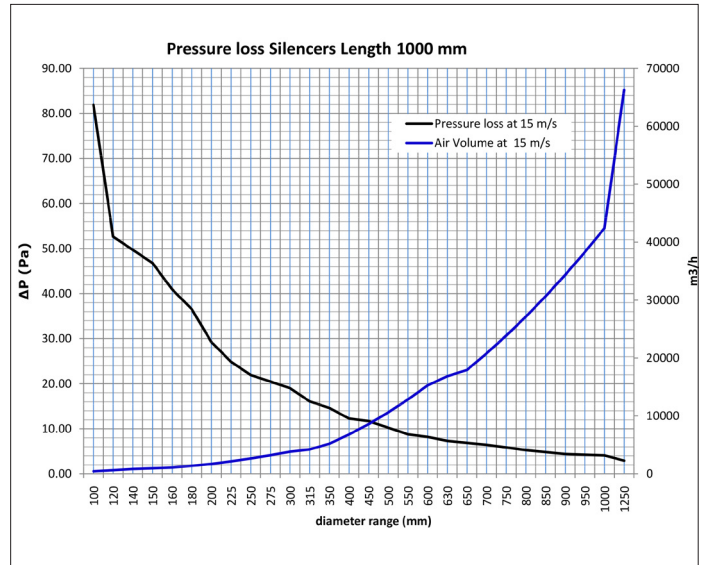
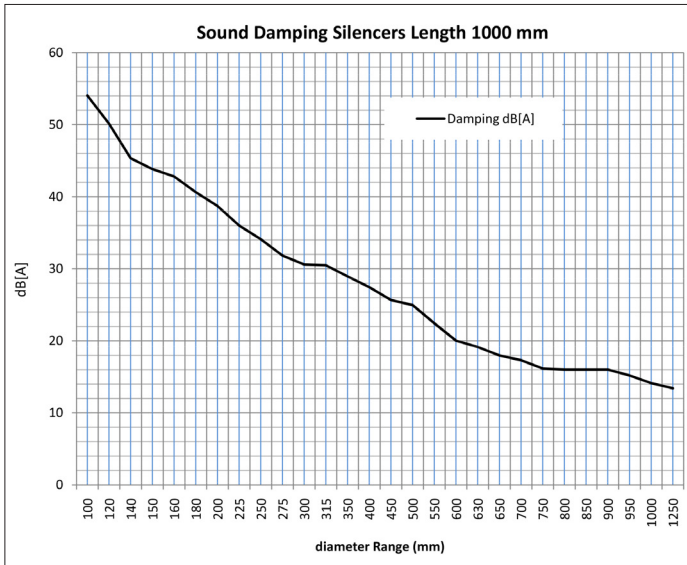
- other diameters
- other lengths
- other sheet thickness
- with perforated sheet metal plate for loaded air
- with Tedlar foil for moist medium
- stainless steel (AISI 304)
- painted version
- other types of edges or connections



Loaded air version

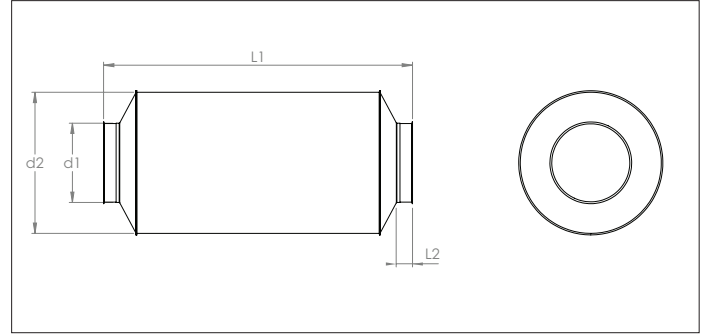
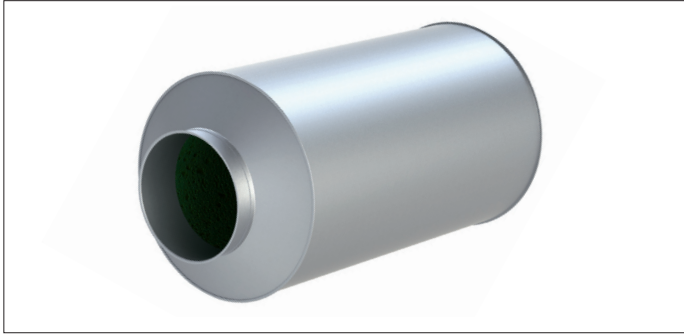
Ø	Model	Ø d1 mm	Ø d2 mm	L1 mm	L2 mm	s mm	Weight kg
100	AAFA000037	100	300	1000	50	0.88	7.32
120	AAFA000038	120	320	1000	50	0.88	8.80
140	AAFA000039	140	340	1000	50	0.88	10.24
150	AAFA000040	150	350	1000	50	0.88	11.00
160	AAFA000041	160	360	1000	50	0.88	12.00
180	AAFA000042	180	380	1000	50	0.88	14.00
200	AAFA000043	200	400	1000	50	0.88	15.00
225	AAFA000044	225	425	1000	50	0.88	16.00
250	AAFA000045	250	450	1000	50	0.88	17.00
275	AAFA000046	275	475	1000	50	0.88	18.00
300	AAFA000047	300	500	1000	50	0.88	19.00
315	AAFA000048	315	515	1000	50	0.88	22.50
350	AAFA000049	350	550	1000	50	0.88	25.00
400	AAFA000050	400	600	1000	50	0.88	27.00
450	AAFA000051	450	650	1000	50	0.88	30.00
500	AAFA000052	500	700	1000	50	0.88	35.40
550	AAFA000053	550	750	1000	50	0.88	35.50
600	AAFA000054	600	800	1000	50	0.88	38.50
630	AAFA000055	630	830	1000	50	0.88	42.00
650	AAFA000056	650	850	1000	50	0.88	44.00
700	AAFA000323	700	900	1000	50	0.88	53.00
750	AAFA000324	750	950	1000	50	0.88	60.16
800	AAFA000325	800	1000	1000	50	0.88	64.80
850	AAFA000326	850	1050	1000	50	0.88	69.46
900	AAFA000327	900	1100	1000	50	0.88	72.10
950	AAFA000328	950	1150	1000	50	0.88	78.14
1000	AAFA000329	1000	1200	1000	50	0.88	84.28

AAFA silencers - clean air L = 1000



Ø	Model	dB attenuation at frequencies								Damping	Pressure loss (Pa)			m³/h		
		63Hz	125Hz	250Hz	500Hz	1kHz	2kHz	4kHz	8kHz		10 m/s	15 m/s	20 m/s	10 m/s	15 m/s	20 m/s
100	AAFA000037	5	17	24	35	50	50	47	25	54	36.40	58.50	114.08	283	424	565
120	AAFA000038	5	15	22	33	48	45	38	21	50	23.40	52.00	101.40	407	611	814
140	AAFA000039	5	12	20	32	44	38	30	19	45	22.10	48.10	93.80	554	831	1108
150	AAFA000040	4	11	19	31	43	34	24	16	44	20.80	45.50	88.73	636	954	1272
160	AAFA000041	5	11	18	30	42	33	22	15	43	18.20	39.00	76.05	724	1086	1448
180	AAFA000042	4	10	17	29	40	28	19	13	41	16.25	32.50	63.38	916	1374	1832
200	AAFA000043	4	9	16	28	38	26	16	12	39	13.00	29.90	58.31	1131	1696	2262
225	AAFA000044	3	8	15	27	35	24	14	10	36	11.05	26.00	50.70	1431	2147	2863
250	AAFA000045	3	8	14	26	33	21	11	9	34	9.75	22.10	43.10	1767	2651	3534
275	AAFA000046	2	8	13	26	30	19	11	8	32	9.10	20.80	40.56	2138	3207	4276
300	AAFA000047	2	9	17	29	23	18	14	5	31	8.45	19.50	38.03	2545	3817	5089
315	AAFA000048	3	6	12	24	29	16	8	7	30	7.15	15.60	30.42	2806	4208	5611
350	AAFA000049	2	4	10	21	28	10	4	4	29	6.50	13.00	25.35	3464	5195	6927
400	AAFA000050	2	5	11	23	25	12	5	5	27	5.46	11.05	21.55	4524	6786	9048
450	AAFA000051	3	6	11	19	24	11	6	4	26	5.20	9.75	19.01	5726	8588	11451
500	AAFA000052	2	4	10	21	22	10	4	4	25	4.55	8.97	17.49	7069	10603	14137
550	AAFA000053	3	5	10	17	20	7	4	4	22	3.90	7.80	15.21	8553	12829	17106
600	AAFA000054	3	5	9	16	16	6	3	3	20	3.64	7.15	13.94	10179	15268	20358
630	AAFA000055	1	3	10	16	12	7	8	3	19	3.25	6.50	12.68	11222	16833	22444
650	AAFA000056	1	3	8	15	10	7	7	2	18	3.06	5.85	11.41	11946	17919	23892
700	AAFA000323	1	2	8	14	9	7	7	2	17	2.86	5.20	10.14	13854	20782	27709
750	AAFA000324	1	2	8	12	8	6	6	3	16	2.60	4.88	9.51	15904	23856	31809
800	AAFA000325	2	3	8	11	7	5	5	4	16	2.34	4.55	8.87	18096	27143	36191
850	AAFA000326	2	3	9	11	7	5	5	5	16	2.15	4.23	8.24	20428	30642	40856
900	AAFA000327	1	4	9	12	6	6	6	6	16	1.95	3.90	7.61	22902	34353	45804
950	AAFA000328	1	3	8	10	6	5	5	5	15	1.89	3.64	7.10	25518	38276	51035
1000	AAFA000329	0	2	8	8	5	4	4	4	14	1.82	3.25	6.34	28274	42412	56549

AAFA silencers - clean air L = 500



AAFA silencers - clean air L = 500

AAFA silencers are designed to reduce the sound in ducting or in the workshop for use in overpressure, under-pressure and pressureless systems.

The silencers are made of galvanized sheet metal with sound absorbing material applied on the inside.

Material

Sendzimir galvanized
100 mm soundproofing material (max. peaks of +100°C)

Type

Rolled stitch-welded sheets with 6 mm edges for lock rings.

Options

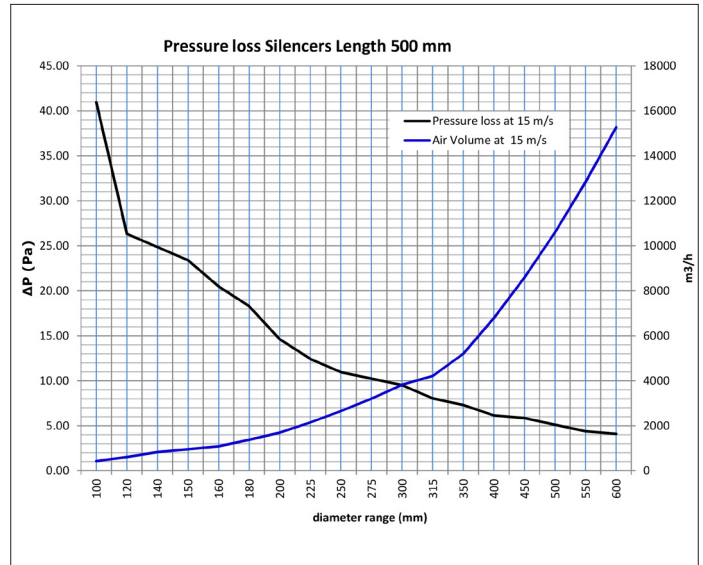
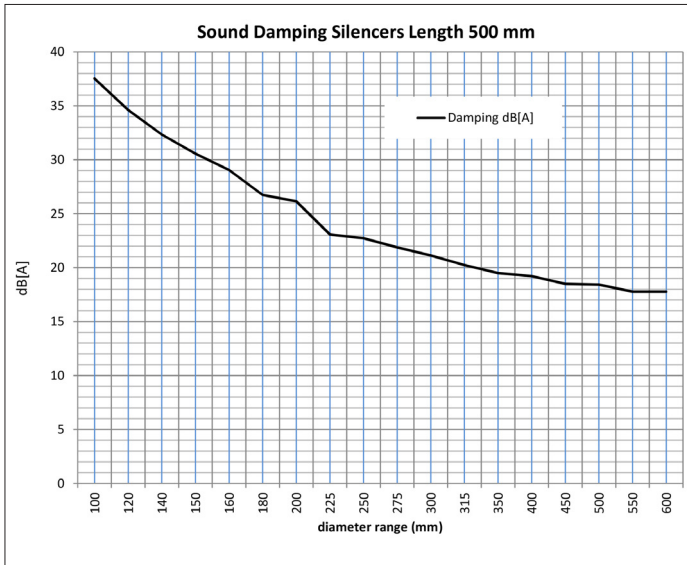
- other diameters
- other lengths
- other sheet thickness
- with perforated sheet metal plate for loaded air
- with Tedlar foil for moist medium
- stainless steel (AISI 304)
- painted version
- other types of edges or connections



Loaded air version

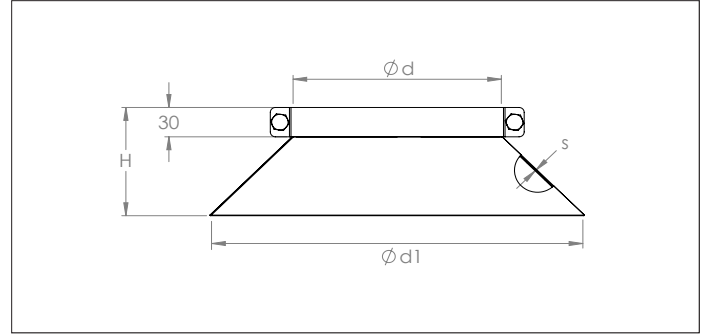
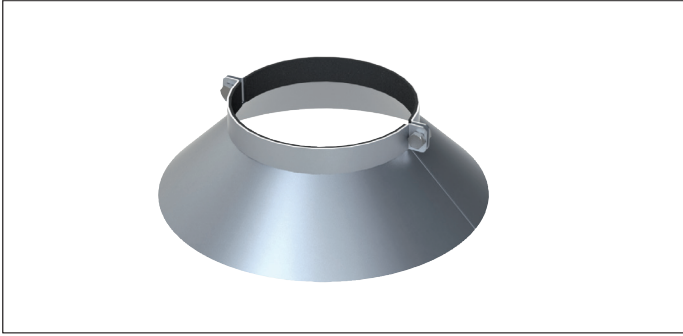
Ø	Model	Ø d1	Ø d2	L1	L2	s	Weight
		mm	mm	mm	mm	mm	kg
100	AAFA000001	100	300	500	50	0.88	3.66
120	AAFA000002	120	320	500	50	0.88	4.40
140	AAFA000003	140	340	500	50	0.88	5.12
150	AAFA000004	150	350	500	50	0.88	5.50
160	AAFA000005	160	360	500	50	0.88	6.00
180	AAFA000006	180	380	500	50	0.88	7.00
200	AAFA000007	200	400	500	50	0.88	7.50
225	AAFA000008	225	425	500	50	0.88	8.00
250	AAFA000009	250	450	500	50	0.88	8.50
275	AAFA000010	275	475	500	50	0.88	9.00
300	AAFA000011	300	500	500	50	0.88	9.50
315	AAFA000012	315	515	500	50	0.88	11.25
350	AAFA000013	350	550	500	50	0.88	12.50
400	AAFA000014	400	600	500	50	0.88	13.50
450	AAFA000015	450	650	500	50	0.88	15.00
500	AAFA000016	500	700	500	50	0.88	17.70
550	AAFA000017	550	750	500	50	0.88	17.75
600	AAFA000018	600	800	500	50	0.88	19.25

AAFA silencers - clean air L = 500



Ø	Model	dB attenuation at frequencies								Damping	Pressure loss (Pa)			m³/h		
		63Hz	125Hz	250Hz	500Hz	1kHz	2kHz	4kHz	8kHz		dB(A)	10 m/s	15 m/s	20 m/s	10 m/s	15 m/s
100	AAFA000001	4	9	12	18	35	33	26	14	38	18.20	29.25	57.04	283	424	565
120	AAFA000002	3	10	19	33	27	24	16	12	35	11.70	26.00	50.70	407	611	814
140	AAFA000003	2	9	18	30	26	23	15	10	32	11.05	24.05	46.90	554	831	1108
150	AAFA000004	2	9	17	28	24	22	15	9	31	10.40	22.75	44.36	636	954	1272
160	AAFA000005	3	6	9	15	28	20	13	8	29	9.10	19.50	38.03	724	1086	1448
180	AAFA000006	1	8	14	24	20	18	13	7	27	8.13	16.25	31.69	916	1374	1832
200	AAFA000007	3	5	8	15	25	16	9	7	26	6.50	14.95	29.15	1131	1696	2262
225	AAFA000008	1	6	11	20	16	15	10	6	23	5.53	13.00	25.35	1431	2147	2863
250	AAFA000009	2	4	7	14	21	13	6	5	23	4.88	11.05	21.55	1767	2651	3534
275	AAFA000010	2	3	6	14	20	12	5	4	22	4.55	10.40	20.28	2138	3207	4276
300	AAFA000011	2	3	6	14	19	11	4	4	21	4.23	9.75	19.01	2545	3817	5089
315	AAFA000012	2	3	6	13	18	10	4	4	20	3.58	7.80	15.21	2806	4208	5611
350	AAFA000013	1	3	6	13	17	9	3	3	20	3.25	6.50	12.68	3464	5195	6927
400	AAFA000014	1	3	6	12	17	8	3	3	19	2.73	5.53	10.77	4524	6786	9048
450	AAFA000015	1	2	5	12	16	7	4	2	18	2.60	4.88	9.51	5726	8588	11451
500	AAFA000016	1	2	5	12	16	6	4	2	18	2.28	4.49	8.75	7069	10603	14137
550	AAFA000017	1	2	5	12	15	5	3	1	18	1.95	3.90	7.61	8553	12829	17106
600	AAFA000018	1	2	5	12	15	5	3	1	18	1.82	3.58	6.97	10179	15268	20358

AAGA Storm collars



AAGA Storm collars

The storm collars are used in combination with roof passages (AAGD) ensure a waterproof passage of a pipe through the roof of a building.

The storm collars consist of 2 parts lined with a rubber sealing for better tightness around the pipe.

Material

Sendzimir galvanized DX51 DZ 275 MAC.

Type

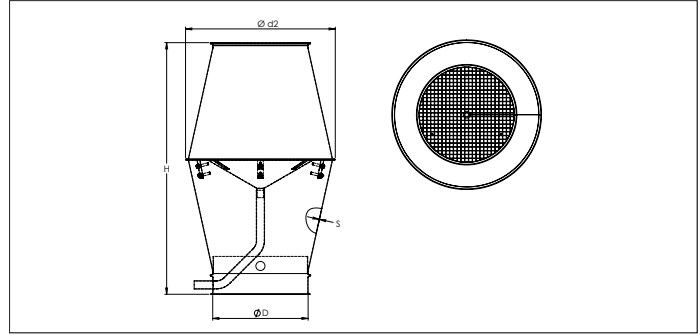
Rolled sheets assembled by bolts, with foam insert (or rubber).

Options

- for rectangular ducting
- other diameters
- other sheet thicknesses depending on diameter

Ø	Code	Ø d1 mm	H mm	s1 mm	Weight kg
80	AAGA000028	243	110	0.88	0.65
100	AAGA000029	263	110	0.88	0.71
120	AAGA000030	283	110	0.88	0.79
125	AAGA000027	288	110	0.88	0.82
140	AAGA000001	303	110	0.88	0.87
150	AAGA000002	313	110	0.88	0.91
160	AAGA000003	323	110	0.88	0.95
180	AAGA000004	343	110	0.88	1.05
200	AAGA000005	363	110	0.88	1.15
225	AAGA000006	388	110	0.88	1.25
250	AAGA000007	413	110	0.88	1.35
275	AAGA000008	438	110	0.88	1.42
280	AAGA000026	443	110	0.88	1.46
300	AAGA000009	463	110	0.88	1.55
315	AAGA000010	478	110	0.88	1.60
350	AAGA000011	513	110	0.88	1.75
400	AAGA000012	560	110	0.88	1.95
450	AAGA000013	613	110	0.88	2.15
500	AAGA000014	663	110	0.88	2.35
550	AAGA000015	713	110	0.88	2.54
600	AAGA000016	763	110	0.88	2.75
630	AAGA000017	793	110	0.88	2.90
650	AAGA000018	813	110	0.88	3.00
700	AAGA000019	863	110	0.88	3.15
750	AAGA000020	913	110	0.88	3.40
800	AAGA000021	963	110	0.88	3.60
850	AAGA000022	1013	110	0.88	3.80
900	AAGA000023	1063	110	0.88	4.00
950	AAGA000024	1113	110	0.88	4.20
1000	AAGA000025	1163	110	0.88	4.50

AAGB Jet caps



AAGB Jet caps

Jet caps are standard spot-welded and consist of 2 cones that are seamed together, internally provided with inner cone with a drain for rainwater (rigid copper pipe).

The outlet side is provided with a bird screen.

Because of the vertical outlet there is less resistance and the inner cone creates a higher outflow than with a rain cap.

Material

Sendzimir galvanized DX51 DZ 275 MAC, and Vergacol sealant.
Grill of 1,5 mm mesh with 24 x 24 mm spacing.

Type

Rollled sheets stitch-welded and spot-welded, with a 6 mm edge for lock rings.

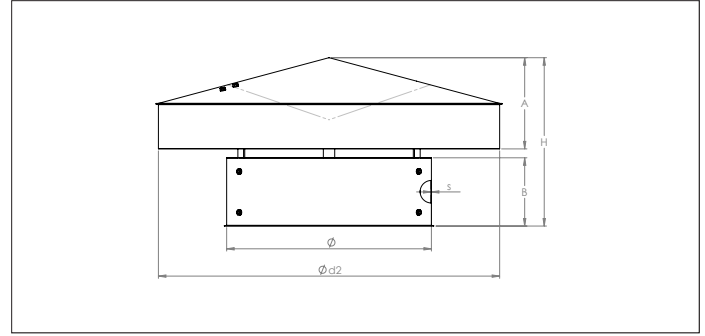
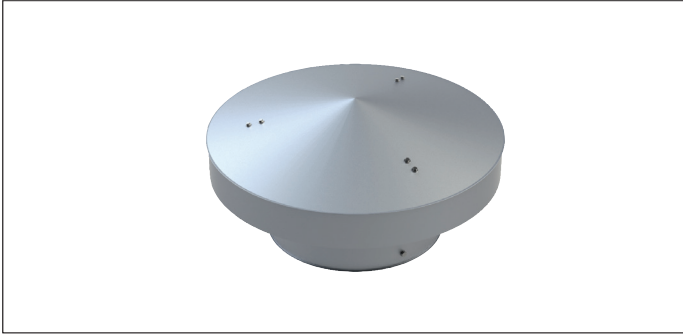
With 4 integrated lifting points as of Ø500 for easy handling.

Options

- other diameters
- other sheet thicknesses depending on diameter and length
- other types of edges or connections

Ø	Code	Ø d2 mm	H mm	s mm	Weight kg
100	AAGB000001	165	370	0.75	1.65
120	AAGB000002	185	425	0.75	1.90
125	AAGB000028	185	425	0.75	2.00
140	AAGB000003	215	465	0.75	2.80
150	AAGB000004	230	490	0.88	3.10
160	AAGB000005	245	510	0.88	3.40
180	AAGB000006	275	545	0.88	4.00
200	AAGB000007	305	590	0.88	4.75
225	AAGB000008	345	635	0.88	5.70
250	AAGB000009	380	690	0.88	6.70
275	AAGB000010	420	740	0.88	7.90
280	AAGB000029	425	740	0.88	8.00
300	AAGB000011	460	790	0.88	9.20
315	AAGB000012	480	820	0.88	10.00
350	AAGB000013	535	930	0.88	12.50
400	AAGB000014	610	1036	0.88	18.00
450	AAGB000015	690	1136	0.88	20.60
500	AAGB000016	765	1244	0.88	25.00
550	AAGB000017	840	1350	0.88	29.50
600	AAGB000018	915	1450	0.88	34.20
630	AAGB000019	960	1540	0.88	37.50
650	AAGB000020	990	1540	0.88	38.50
700	AAGB000030	1070	1658	0.88	44.30
750	AAGB000031	1145	1746	1.25	44.50
800	AAGB000032	1220	1695	1.25	81.30
850	AAGB000033	1295	1795	1.25	87.60
900	AAGB000034	1375	1950	1.25	96.90
950	AAGB000035	1450	1975	1.25	106.70
1000	AAGB000036	1525	2120	1.25	115.00

AAGC Rain caps



AAGC Rain caps

Rain caps are standard spot-welded. Delivery without bird screen.

The cone is attached to the body with 3 legs in 3 mm sheet thickness.

Diameters up to Ø 140 with edge and Ø 150 up to Ø 1000 with edge and inner cone.

Material

Sendzimir galvanized DX51 DZ 275 MAC, and Vergacol sealant.

Type

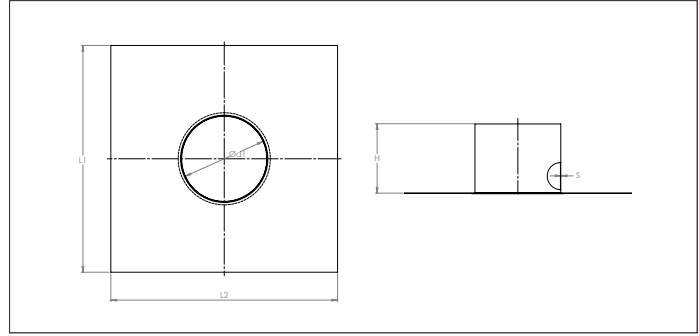
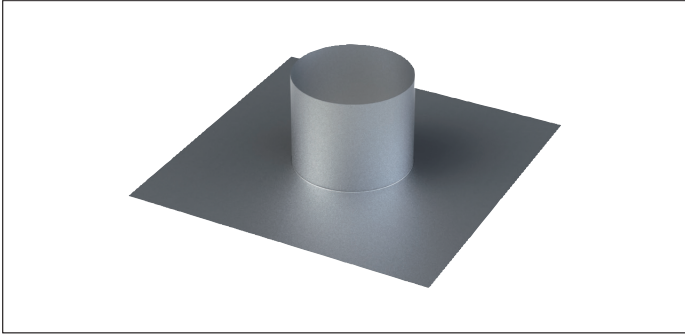
Rolled sheets stitch-welded and spot-welded, with a 6 mm edge for lock rings.

Options

- customer specific execution
- with bird screen
- other diameters
- other sheet thicknesses depending on diameter and length
- other types of edges or connections

Ø	Code	Ø d2 mm	A mm	B mm	H mm	s mm	Weight kg
80	AAGC000001	200	50	75	130	0.88	0.73
100	AAGC000002	200	50	75	130	0.88	0.76
120	AAGC000003	250	50	75	150	0.88	1.04
125	AAGC000029	250	50	75	150	0.88	1.10
140	AAGC000004	350	50	100	190	0.88	1.70
150	AAGC000005	350	50	100	190	0.88	1.78
160	AAGC000006	350	50	100	190	0.88	1.82
180	AAGC000007	400	50	100	220	0.88	2.20
200	AAGC000008	400	50	100	220	0.88	2.28
225	AAGC000009	500	50	100	240	0.88	3.09
250	AAGC000010	500	50	100	240	0.88	3.20
275	AAGC000011	500	50	100	240	0.88	3.30
280	AAGC000030	650	50	100	240	0.88	3.32
300	AAGC000012	650	100	150	340	0.88	5.90
315	AAGC000013	650	100	150	340	0.88	6.00
350	AAGC000014	650	100	150	340	0.88	6.10
400	AAGC000015	750	100	150	370	0.88	7.60
450	AAGC000016	750	100	150	370	0.88	8.00
500	AAGC000017	950	150	150	440	0.88	10.80
550	AAGC000018	950	150	150	440	0.88	11.00
600	AAGC000019	1050	150	150	480	0.88	14.60
630	AAGC000020	1050	150	150	480	0.88	14.90
650	AAGC000021	1050	150	150	480	0.88	15.02
700	AAGC000031	1200	200	200	570	0.88	25.90
750	AAGC000032	1200	200	200	570	0.88	20.50
800	AAGC000033	1400	200	200	610	0.88	26.66
850	AAGC000034	1400	200	200	610	0.88	27.40
900	AAGC000035	1550	250	250	680	0.88	31.89
950	AAGC000036	1500	250	250	680	0.88	38.50
1000	AAGC000037	1700	250	250	720	0.88	40.00

AAGD Roof passages



AAGD Roof passages

Roof passages are standard longitudinally welded with a stitch-welder and spot-welded on a flat plate.

They are used in combination with storm collars (AAGA) to ensure a waterproof passage of a pipe through the roof of a building.

They are designed to fit ducting with edges. It might be necessary to switch to a bigger diameter if ducting with flanges is used.

Material

Sendzimir galvanized DX51 DZ 275 MAC, and Vergacol sealant.

Type

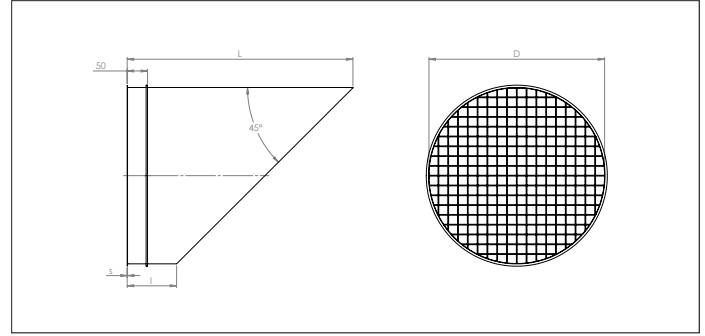
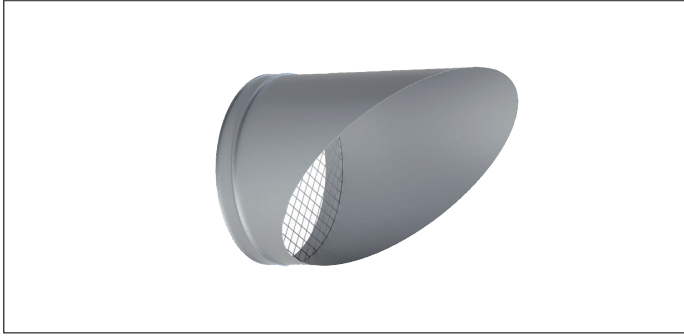
Rolled stitch-welded and spot-welded sheets.

Options

- for rectangular ducting
- other diameters
- other sheet thicknesses depending on diameter

Ø	Code	Ø d2 mm	L1 mm	L2 mm	H mm	s mm	Weight kg
80 to 100	AAGD000023	125	480	480	200	0.88	1.69
120 to 125	AAGD000024	150	520	520	200	0.88	1.74
140 to 160	AAGD000001	185	550	550	200	0.88	1.75
180	AAGD000002	205	580	580	200	0.88	2.24
200	AAGD000003	225	600	600	200	0.88	2.64
225	AAGD000004	245	625	625	200	0.88	2.66
250	AAGD000005	275	650	650	200	0.88	3.10
275 to 280	AAGD000006	305	680	680	200	0.88	3.13
300 to 315	AAGD000007	340	715	715	200	0.88	4.26
350	AAGD000008	375	750	750	200	0.88	4.32
400	AAGD000009	425	800	800	200	0.88	3.89
450	AAGD000010	475	850	850	200	0.88	5.04
500	AAGD000011	525	900	900	200	0.88	5.48
550	AAGD000012	575	950	950	200	0.88	5.85
600	AAGD000013	625	1000	1000	200	0.88	6.58
630	AAGD000014	655	1030	1030	200	0.88	6.68
650	AAGD000015	675	1050	1050	200	0.88	6.89
700	AAGD000016	725	1100	1100	200	0.88	6.95
750	AAGD000017	775	1150	1150	200	0.88	8.19
800	AAGD000018	825	1200	1200	200	0.88	8.52
850	AAGD000019	875	1250	1250	200	0.88	9.08
900	AAGD000020	925	1300	1300	200	0.88	9.64
950	AAGD000021	975	1350	1350	200	0.88	10.21
1000	AAGD000022	1025	1400	1400	200	0.88	10.79

AAGE Wall outlets 45° with bird screen



AAGE Wall outlets 45° with bird screen

Wall outlets are standard welded with a stitch-welder and integrated bird screen.

Designed for horizontal mounting. Other mounting orientations are possible with bends.

Material

Sendzimir galvanized DX51 DZ 275 MAC.
Grill of 1,5 mm mesh with 24 x 24 mm spacing.

Type

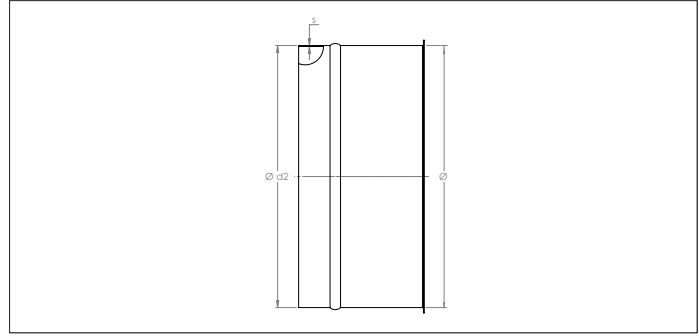
Rolled sheets stitch-welded, with a 6 mm edge for lock rings.

Options

- other diameters
- other sheet thicknesses depending on diameter and length
- other types of edges or connections

Ø	Code	L1 mm	L2 mm	s mm	Weight kg
100	AAGE000001	240	145	0.88	0.50
120	AAGE000002	260	145	0.88	0.60
125	AAGE000028	260	145	0.88	0.65
140	AAGE000003	280	145	0.88	0.75
150	AAGE000004	290	145	0.88	0.80
160	AAGE000005	300	145	0.88	0.85
180	AAGE000006	320	145	0.88	1.00
200	AAGE000007	340	145	0.88	1.15
225	AAGE000008	370	145	0.88	1.30
250	AAGE000009	375	125	0.88	1.65
275	AAGE000010	400	125	0.88	1.75
280	AAGE000029	405	125	0.88	1.86
300	AAGE000011	425	125	0.88	1.95
315	AAGE000012	440	125	0.88	2.15
350	AAGE000013	475	125	0.88	2.50
400	AAGE000014	525	125	0.88	3.10
450	AAGE000015	575	125	0.88	3.50
500	AAGE000016	625	125	0.88	4.40
550	AAGE000017	675	125	0.88	5.30
600	AAGE000018	725	125	0.88	6.15
630	AAGE000019	755	125	0.88	6.78
650	AAGE000020	775	125	0.88	4.93
700	AAGE000030	825	125	0.88	9.97
750	AAGE000031	875	125	0.88	11.09
800	AAGE000032	925	125	0.88	12.27
850	AAGE000033	975	125	0.88	13.49
900	AAGE000034	1025	125	0.88	14.78
950	AAGE000035	1075	125	0.88	16.11
1000	AAGE000036	1125	125	0.88	17.51

AAZA Hose reductions



AAZA Hose reductions

Hose reduction pieces are standard longitudinally welded designed for the assembly of various types of hoses for use in overpressure, under-pressure and pressureless systems.

The exterior diameter is slightly smaller than the nominal ducting diameter to fit the flexible hose. A boom in the middle prevents the hose from sliding off.

Hose clamp sold separately.

Material

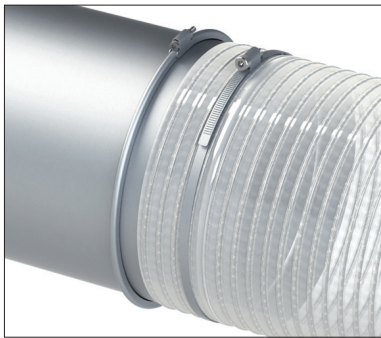
Sendzimir galvanized DX51 DZ 275 MAC.

Type

Rolled sheets stitch-welded, with a 6 mm edge for lock rings.

Options

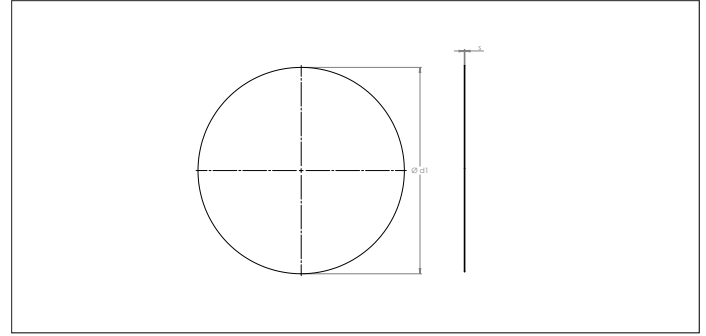
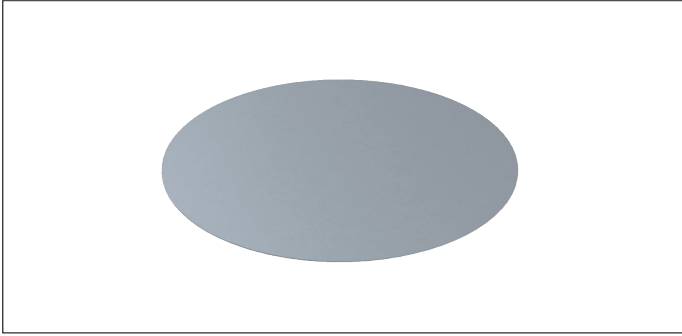
- other diameters
- other sheet thicknesses depending on diameter and length
- other types of edges or connections



Assembly example

Ø	Code	Ø d2 mm	H mm	s mm	Weight kg
80	AAZA000001	76	120	0.75	0.19
100	AAZA000002	96	120	0.75	0.24
120	AAZA000003	116	120	0.88	0.33
125	AAZA000023	121	120	0.88	0.35
140	AAZA000004	136	120	0.88	0.39
150	AAZA000005	146	120	0.88	0.42
160	AAZA000006	156	120	0.88	0.44
180	AAZA000007	176	120	0.88	0.50
200	AAZA000008	196	120	0.88	0.55
225	AAZA000009	221	120	0.88	0.62
250	AAZA000010	246	120	0.88	0.69
275	AAZA000011	271	120	0.88	0.76
280	AAZA000022	276	120	0.88	0.78
300	AAZA000012	296	120	0.88	0.79
315	AAZA000013	311	120	0.88	0.87
350	AAZA000014	346	120	0.88	0.97
400	AAZA000015	396	120	0.88	1.11
450	AAZA000016	446	120	0.88	1.25
500	AAZA000017	496	120	0.88	1.38
550	AAZA000018	546	120	0.88	1.52
600	AAZA000019	596	120	0.88	1.59
630	AAZA000020	626	120	0.88	1.74

AAZB Blanking plates



AAZB Blanking plates

Blanking plates are standard made out of Sendzimir plate and are used to close a duct, for example at the end of a ducting system or on a branch that is not being used for use in overpressure, under-pressure and pressureless systems.

It is held in place by a ring (sold separately).

Material

Sendzimir galvanized DX51 DZ 275 MAC.

Type

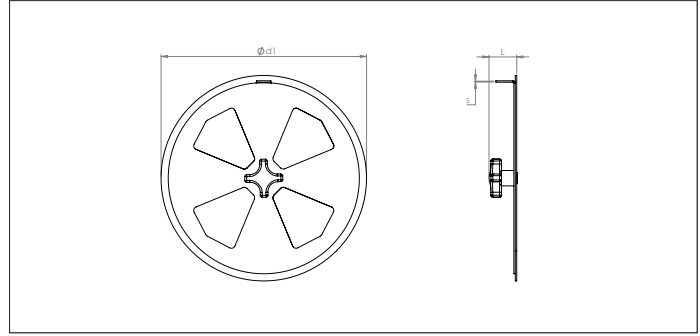
Cut sheets, with a 6 mm edge for lock rings.

Options

- other diameters
- other sheet thicknesses depending on diameter and length
- other types of edges or connections

\varnothing	Code	$\varnothing d1$ mm	s mm	Weight kg
80	AAZB000001	94	0.88	0.04
100	AAZB000002	114	0.88	0.07
120	AAZB000003	134	0.88	0.10
125	AAZB000021	139	0.88	0.11
140	AAZB000004	154	0.88	0.13
150	AAZB000005	164	0.88	0.15
160	AAZB000006	174	0.88	0.17
180	AAZB000007	194	0.88	0.21
200	AAZB000008	214	0.88	0.25
225	AAZB000009	239	0.88	0.32
250	AAZB000010	264	0.88	0.39
275	AAZB000011	289	0.88	0.46
280	AAZB000022	294	0.88	0.48
300	AAZB000012	314	0.88	0.55
315	AAZB000013	329	0.88	0.60
350	AAZB000014	364	0.88	0.73
400	AAZB000015	414	0.88	1.08
450	AAZB000016	464	0.88	1.19
500	AAZB000017	514	0.88	1.66
550	AAZB000018	564	0.88	2.00
600	AAZB000019	614	0.88	2.37
630	AAZB000020	644	0.88	2.42

AAZC Adjustable blanking plates



AAZC Adjustable blanking plates

The adjustable blanking plates are attached to the end of a ducting system or on a branch to manually regulate the airflow for use in overpressure, under-pressure and pressureless systems.

It is locked in the desired position by tightening the star knob.

It is held in place by a ring (sold separately).

Material

Sendzimir galvanized DX51 DZ 275 MAC.
POM star knob.

Type

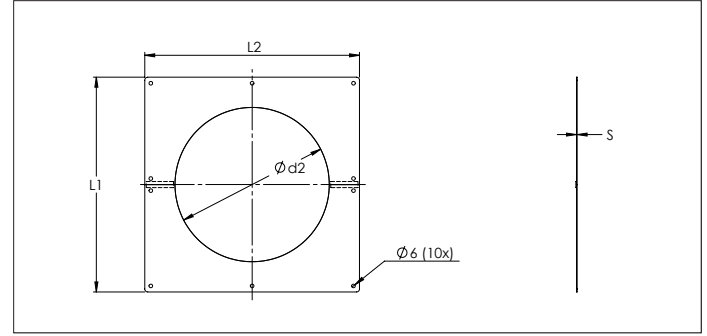
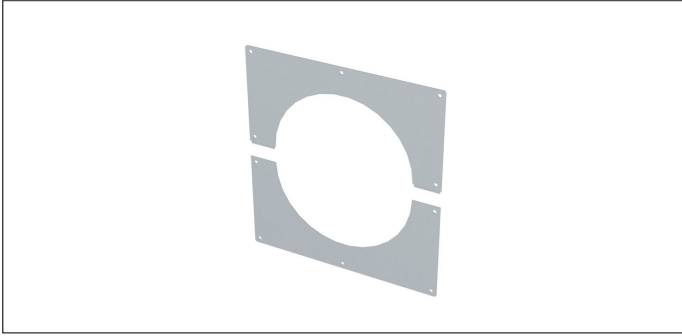
Cut sheets, with a 6 mm edge for lock rings.

Options

- other diameters
- other sheet thicknesses depending on diameter and length
- other types of edges or connections

\varnothing	Code	$\varnothing d1$ mm	L mm	s mm	Weight kg
80	AAZC000001	94	30	1.50	0.05
100	AAZC000002	114	30	1.50	0.20
120	AAZC000003	134	30	1.50	0.20
125	AAZC000015	139	30	1.50	0.25
140	AAZC000004	154	30	1.50	0.33
150	AAZC000005	164	30	1.50	0.34
160	AAZC000006	174	30	1.50	0.40
180	AAZC000007	194	30	1.50	0.51
200	AAZC000008	214	30	1.50	0.62
225	AAZC000009	239	30	1.50	0.76
250	AAZC000010	264	30	1.50	0.90
275	AAZC000011	289	30	1.50	1.16
280	AAZC000022	294	30	1.50	1.17
300	AAZC000012	314	30	1.50	1.36
315	AAZC000013	329	30	1.50	1.42
350	AAZC000014	364	30	1.50	1.80

AAZD Wall passages



AAZD Wall passages

The wall passages are laser cut plates into two parts, which have an overlap for a smooth finishing.

Material

Sendzimir galvanized DX51 DZ 275 MAC.

Type

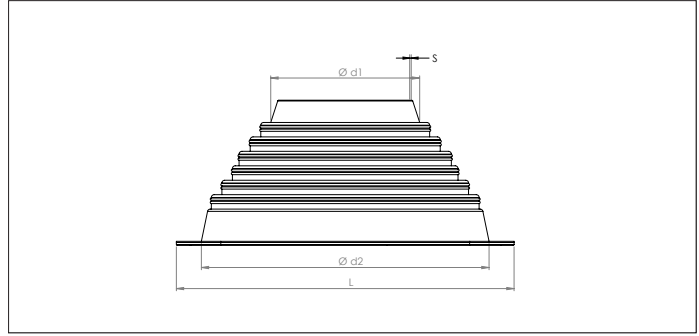
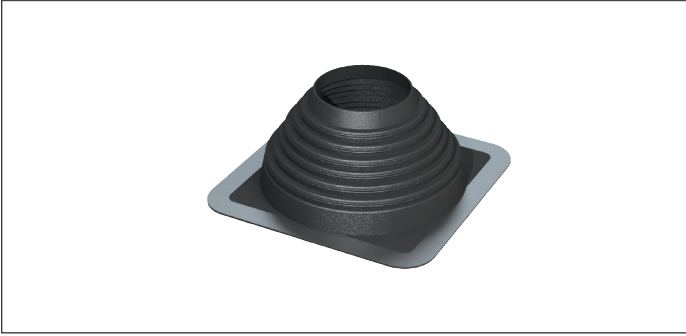
Cut sheets.

Options

- other versions (square, oval, etc.)
- other diameters
- other sheet thicknesses depending on diameter and length
- powder coated execution

Ø	Code	Ø d2 mm	L1 mm	L2 mm	s mm	Weight kg
80	AAZD900003	82.5	280	280	0.88	0.58
100	AAZD000001	102.5	300	300	0.88	0.58
120	AAZD000002	120.5	320	320	0.88	0.64
125	AAZD000028	127.5	325	325	0.88	0.64
140	AAZD000003	142.5	340	340	0.88	0.71
150	AAZD000004	152.5	350	350	0.88	0.74
160	AAZD000005	162.5	360	360	0.88	0.77
180	AAZD000006	182.5	380	380	0.88	0.83
200	AAZD000007	202.5	400	400	0.88	0.90
225	AAZD000008	227.5	425	425	0.88	0.98
250	AAZD000009	252.5	450	450	0.88	1.07
275	AAZD000010	277.5	475	475	0.88	1.16
280	AAZD000029	282.5	480	480	0.88	1.18
300	AAZD000011	302.5	500	500	0.88	1.25
315	AAZD000012	317.5	515	515	0.88	1.30
350	AAZD000013	352.5	550	550	0.88	1.43
400	AAZD000014	402.5	600	600	0.88	1.62
450	AAZD000015	452.5	650	650	0.88	1.82
500	AAZD000016	502.5	700	700	0.88	2.03
550	AAZD000017	552.5	750	750	0.88	2.25
600	AAZD000018	602.5	800	800	0.88	2.47
630	AAZD000019	632.5	830	830	0.88	2.60
650	AAZD000020	652.5	850	850	0.88	2.70
700	AAZD000021	702.5	900	900	0.88	2.93
750	AAZD000022	752.5	950	950	0.88	3.18
800	AAZD000023	802.5	1000	1000	0.88	3.43
850	AAZD000024	852.5	1050	1050	0.88	3.69
900	AAZD000025	902.5	1100	1100	0.88	3.95
950	AAZD000026	952.5	1150	1150	0.88	4.23
1000	AAZD000027	1002.5	1200	1200	0.88	4.51

AZGG Flash roof passages



AZGG Flash roof passages

Very flexible roof passages made of molded EPDM rubber that can be mounted on all kinds of roofs.

The aluminum profile can be adjusted to the roof surface and a storm collar is not necessary with this product.

It is cut to the desired diameter depending on the pipe that is being used.

The passage diameter should be cut 20 mm smaller than the pipe diameter for a tight fit to guarantee a proper sealing.

Material

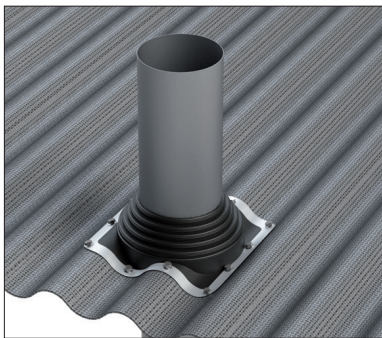
EPDM rubber.
Aluminum profile.

Type

Preformed EPDM.
Temperature range : up to +100°C, intermittent up to +135°C.

Options

- silicone model,
temperature range : +220°C, intermittent up to +260°C



Assembly example

Ø	Code	Ø d1 mm	Ø d2 mm	L mm	s mm	Weight kg
80 to 160	AZGG000001	70	177	254	3.00	0.35
180 to 280	AZGG000002	140	292	355	3.00	0.69
300 to 500	AZGG000003	241	520	635	3.00	1.92
550 to 700	AZGG000004	305	724	863	3.00	3.24