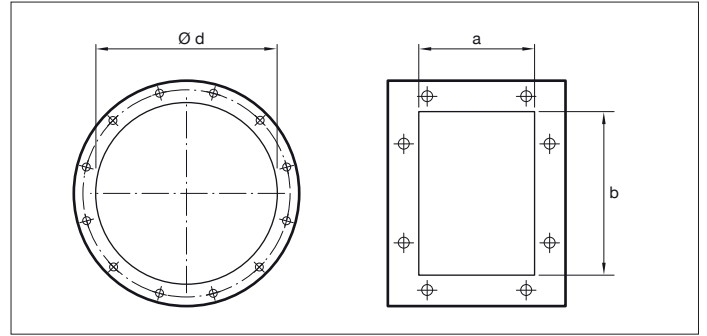
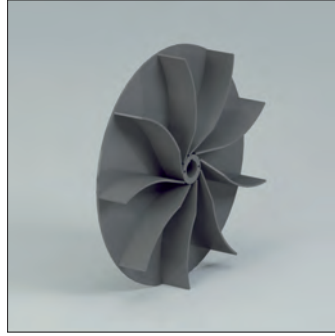
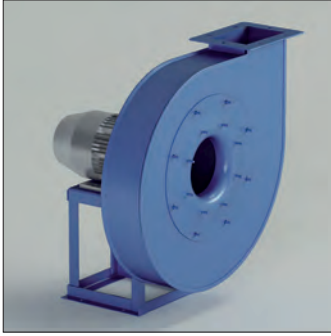


ZB - ZB/T



ZB - ZB/T

Direct and indirect driven centrifugal fans.
Impeller with curved, open radial blades.

Application

For the transport of solid materials mixed with air, sawdust and various chips, also suitable for filaments.

Technical specifications:

Air volume: 450 up to 15.000 m³/h
Total pressure: 200 up to 1.000 daPa.

Application area

Low-medium air volumes,
medium-high pressures.

Model	Installed power (kW)	Axle height mm	Poles	Inlet $\varnothing d$ mm	Outlet dimensions a x b mm	Inspection door	Welding fan housing
ZB400/P2	2.2	90	2	180	177 x 166	Optional	Optional
ZB450/P2	3	100	2	200	131 x 185	Optional	Optional
ZB450/P2	4	112	2	200	131 x 185	Optional	Optional
ZB500/P2	5.5	132	2	225	148 x 207	Optional	Optional
ZB500/P2	7.5	132	2	225	148 x 207	Optional	Optional
ZB560/P2	7.5	132	2	250	166 x 231	Optional	Optional
ZB560/P2	11	160	2	250	166 x 231	Optional	Optional
ZB630/P2	15	160	2	275	185 x 258	Optional	Optional
ZB630/P2	18.5	160	2	275	185 x 258	Optional	Optional
ZB710/P2R	22	180	2	325	205 x 288	Optional	Included
ZB710/P2	30	200	2	325	205 x 288	Optional	Included
ZB710/P2	37	200	2	325	205 x 288	Optional	Included
ZB800/P2R	37	200	2	350	229 x 322	Optional	Included
ZB800/P2	45	225	2	350	229 x 322	Optional	Included
ZB800/P2	55	250	2	350	229 x 322	Optional	Included
ZB800/P4R	7.5	132	4	350	229 x 322	Optional	Included
ZB800/P4	11	160	4	350	229 x 322	Optional	Included
ZB900/P4R	11	160	4	400	256 x 361	Optional	Included
ZB900/P4	15	160	4	400	256 x 361	Optional	Included
ZB1000/P4R	18.5	180	4	450	288 x 404	Optional	Included
ZB1000/P4	22	180	4	450	288 x 404	Optional	Included

ZB - ZB/T

DISCHARGE CHARACTERISTICS

•Load tolerance ±5%

• Fan type	• Motor	P inst. [kW]	n	LpA [dB(A)]	Q [m³/h]									
					430	470	540	650	720	790	865	935	1080	1225
					pt[mmH ₂ O]									
ZB400/P2	90	2,2	2900	70	290	290	290	285	285	285	285	285	284	280
ZB450/P2	100	3	2920	72				372	372	370	370	368	368	367
ZB450/P2	112	4	2920	74				372	372	370	370	368	368	367
ZB500/P2	132	5,5	2920	76								460	459	458
ZB500/P2	132	7,5	2960	78								470	469	468
ZB560/P2	132	7,5	2960	78										
ZB560/P2	160	11	2960	80										
ZB630/P2	160	15	2960	80										
ZB630/P2	160	18,5	2960	82										
ZB710/P2R	180	22	2960	82										
ZB710/P2	200	30	2960	83										
ZB710/P2	200	37	2960	85										
ZB800/P2R	200	37	2960	86										
ZB800/P2	225	45	2960	87										
ZB800/P2	250	55	2970	88										
ZB800/P4R	132	7,5	1470	74										
ZB800/P4	160	11	1480	75										
ZB900/P4R	160	11	1480	75										
ZB900/P4	160	15	1480	77										
ZB1000/P4R	180	18,5	1480	78										
ZB1000/P4	180	22	1480	79										

SUCTION CHARACTERISTICS

•Load tolerance ±5%

• Fan type	Motor	P inst. [kW]	n	LpA [dB(A)]	Q [m³/h]									
					430	470	540	650	720	790	865	935	1080	1225
					pt[mmH ₂ O]									
ZB400/P2	90	2,2	2900	70	281	281	281	275	275	274	273	273	270	264
ZB450/P2	100	3	2920	72				358	357	355	355	353	352	350
ZB450/P2	112	4	2920	74				358	357	355	355	353	352	350
ZB500/P2	132	5,5	2920	76								439	437	436
ZB500/P2	132	7,5	2960	78								448	447	445
ZB560/P2	132	7,5	2960	78										
ZB560/P2	160	11	2960	80										
ZB630/P2	160	15	2960	80										
ZB630/P2	160	18,5	2960	82										
ZB710/P2R	180	22	2960	82										
ZB710/P2	200	30	2960	83										
ZB710/P2	200	37	2960	85										
ZB800/P2R	200	37	2960	86										
ZB800/P2	225	45	2960	87										
ZB800/P2	250	55	2970	88										
ZB800/P4R	132	7,5	1470	74										
ZB800/P4	160	11	1480	75										
ZB900/P4R	160	11	1480	75										
ZB900/P4	160	15	1480	77										
ZB1000/P4R	180	18,5	1480	78										
ZB1000/P4	180	22	1480	79										

ZB - ZB/T

 • Noise tolerance $\pm 4\text{dB(A)}$

Q [m ³ /h]																	
1370	1440	1620	1800	2160	2520	2880	3240	3600	3960	4320	4680	5400	6120	7200	7920	9000	10600
pt[mmH ₂ O]																	
276																	
367	367	362															
367	367	362	357	352													
457	455	453	451	448	442												
467	465	463	461	458	452	438	407										
594	593	592	590	588	585	581											
594	593	592	590	588	585	581	577	568	561								
	765	767	768	769	772	774	775	775	773	766							
	765	767	768	769	772	774	775	775	773	766	757	752					
					870	869	868	868	868	867	866	865	852				
					980	984	986	988	989	989	988	987	986	970			
					980	984	986	988	989	989	988	987	986	970	940		
								1143	1144	1145	1146	1147	1148	1147			
								1233	1233	1233	1236	1238	1239	1239			
								1241	1241	1241	1244	1246	1247	1247	1233	1213	
			283	283	283	282	282	282	281	279	276	270	258				
			305	305	305	305	304	304	304	304	304	298	290				
					369	369	369	368	368	368	367	365	362	355			
						395	395	395	395	394	394	392	390	385	380		
								449	449	449	448	448	448	445	443	436	
									486	486	486	486	486	484	482	481	470

 • Noise tolerance $\pm 4\text{dB(A)}$

Q [m ³ /h]																	
1370	1440	1620	1800	2160	2520	2880	3240	3600	3960	4320	4680	5400	6120	7200	7920	9000	10600
pt[mmH ₂ O]																	
259																	
348	348	341															
348	348	341	335	325													
434	432	429	426	421	412												
443	441	438	435	430	421	405	372										
560	559	557	555	551	547	541											
560	559	557	555	551	547	541	535	524	515								
		712	713	713	714	715	714	713	709	701							
		712	713	713	714	715	714	713	709	701	691	682					
					800	798	796	795	794	792	790	785	771				
					893	895	896	896	896	895	893	889	885	865			
					893	895	896	896	896	895	893	889	885	865	835		
								1026	1026	1026	1026	1025	1024	1019			
								1098	1097	1096	1097	1096	1094	1091			
								1104	1103	1103	1103	1103	1103	1100	1097	1082	1057
			274	274	273	271	271	270	268	265	261	252	237				
			295	295	294	293	291	290	289	288	287	279	268				
						354	354	352	352	351	349	346	341	331			
						379	378	377	377	375	374	371	367	359	352		
								428	428	428	426	425	424	419	416	407	
									462	462	461	460	459	455	452	448	433

The A-weighted sound power level, LpA (Chap.13), is the value measured in test conditions at the point of maximum noise level.

ZB - ZB/T

• Size	• Max rpm
CLASSE I	
ZB400	5300
ZB450	4750
ZB500	4250
ZB560	3750
ZB630	3350
ZB710	3000
ZB800	2950
ZB900	2350
ZB1000	2100

• Values valid up to 60°C

• between	60°C	• and	100°C	• degrade speed	4%
	100°C		150°C		10%
	150°C		200°C		16%
	200°C		250°C		23%
	250°C		300°C		30%
	300°C		350°C		37%
	350°C		400°C		45%
	400°C		450°C		54%
	450°C		500°C		64%

pt [mmH₂O]

