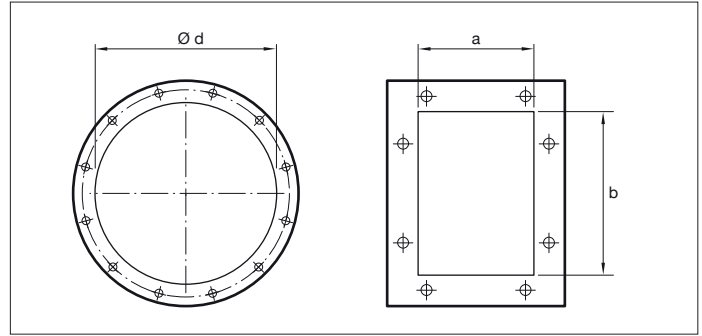
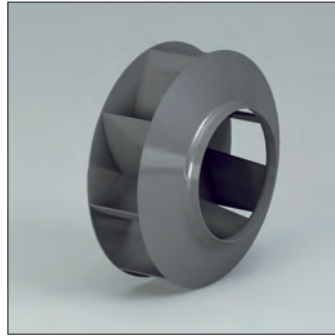
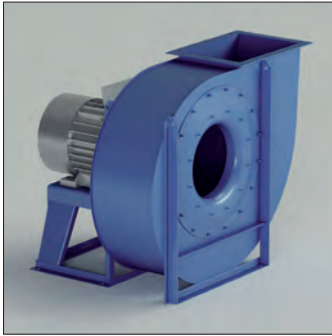


**RM - RM/T**

**RM - RM/T**

Direct and indirect driven centrifugal fans. Impeller with negative (backwards curved) blades.

**Application**

For the transport of potentially very dusty air, sawdust, various chips, granular material, with the exclusion of filaments.

**Application area**

Low-medium-high air volumes, low-medium pressures.

**Technical specifications:**

Air volume: 360 up to 180.000 m<sup>3</sup>/h  
 Total pressure: 50 up to 560 daPa.

Model	Installed power (kW)	Axle height mm	Poles	Inlet $\varnothing d$ mm	Outlet dimensions a x b mm	Inspection door	Welding fan housing
RM220/2	0.18	63	2	125	103 x 124	Optional	Optional
RM250/2R	0.25	63	2	180	148 x 207	Optional	Optional
RM250/2	0.37	71	2	180	148 x 207	Optional	Optional
RM280/2R	0.55	71	2	200	166 x 231	Optional	Optional
RM280/2	0.75	80	2	200	166 x 231	Optional	Optional
RM310/2R	1.1	80	2	225	185 x 258	Optional	Optional
RM310/2	1.5	90	2	225	185 x 258	Optional	Optional
RM350/2R	1.5	90	2	250	205 x 288	Optional	Optional
RM350/2	2.2	90	2	250	205 x 288	Optional	Optional
RM400/2R	3	100	2	275	229 x 322	Optional	Optional
RM400/2	4	112	2	275	229 x 322	Optional	Optional
RM450/2R	5.5	132	2	325	256 x 361	Optional	Optional
RM450/2	7.5	132	2	325	256 x 361	Optional	Optional
RM500/2R	11	160	2	350	288 x 404	Optional	Optional
RM500/2	15	160	2	350	288 x 404	Optional	Optional
RM560/2R	18.5	160	2	400	322 x 453	Optional	Optional
RM560/2	22	180	2	400	322 x 453	Optional	Optional
RM500/4R	1.1	90	4	350	288 x 404	Optional	Optional
RM500/4	1.5	90	4	350	288 x 404	Optional	Optional
RM560/4R	2.2	100	4	400	322 x 453	Optional	Optional
RM560/4	3	100	4	400	322 x 453	Optional	Optional
RM630/4R	4	112	4	450	361 x 507	Optional	Optional
RM630/4	5.5	132	4	450	361 x 507	Optional	Optional
RM710/4R	7.5	132	4	500	404 x 569	Included	Included
RM710/4	11	160	4	500	404 x 569	Included	Included
RM800/4R	15	160	4	550	453 x 638	Included	Included
RM800/4	18.5	180	4	550	453 x 638	Included	Included
RM900/4R	30	200	4	630	507 x 715	Included	Included
RM900/4	37	225	4	630	507 x 715	Included	Included
RM1000/4R	45	225	4	710	569 x 801	Included	Included
RM1000/4	55	250	4	710	569 x 801	Included	Included
RM1120/4R	75	280	4	800	638 x 898	Included	Included
RM1120/4	90	280	4	800	638 x 898	Included	Included
RM800/6R	4	132	6	550	453 x 638	Included	Included
RM800/6	5.5	132	6	550	453 x 638	Included	Included
RM900/6R	7.5	160	6	630	507 x 715	Included	Included
RM900/6	11	160	6	630	507 x 715	Included	Included
RM1000/6R	15	180	6	710	569 x 801	Included	Included
RM1000/6	18.5	200	6	710	569 x 801	Included	Included
RM1120/6R	22	200	6	800	638 x 898	Included	Included
RM1120/6	30	225	6	800	638 x 898	Included	Included
RM1250/6R	37	250	6	900	715 x 1007	Included	Included
RM1250/6	45	280	6	900	715 x 1007	Included	Included
RM1400/6R	55	280	6	1000	801 x 1130	Included	Included
RM1400/6	75	315	6	1000	801 x 1130	Included	Included

**RM - RM/T**

## DELIVERY CHARACTERISTICS

 •Load tolerance  $\pm 5\%$ 

• Fan Type	• Motor	P inst. [kW]	n	LpA [dB(A)]	Q [m <sup>3</sup> /h]																																																				
					360	400	430	470	540	650	720	790	865	935	1080	1225	1370	1440	1620	1800	2160	2520	2880	3240	3600																																
					pt[mmH <sub>2</sub> O]																																																				
RM220/2	63	0,18	2820	54	71	70	69	67	64	57	52	45																																													
RM250/2R	63	0,25	2820	57				85	84	83	79	76	71	66	61																																										
RM250/2	71	0,37	2820	59					98	96	93	91	88	85	82	72	60	44																																							
RM280/2R	71	0,55	2850	61						110	109	108	106	104	102	96	88	77	72	53																																					
RM280/2	80	0,75	2850	61							123	122	121	120	118	114	109	102	98	86	70																																				
RM310/2R	80	1,1	2920	65											156	154	151	148	144	141	135	127	106	74																																	
RM310/2	90	1,5	2920	65													166	163	159	156	154	149	143	126	101																																
RM350/2R	90	1,5	2920	63															190	190	190	189	187	180																																	
RM350/2	90	2,2	2920	68																	207	207	207	203	195	183	168	148																													
RM400/2R	100	3	2940	70																		277	274	266	255	241	223																														
RM400/2	112	4	2940	71																			292	290	284	275	263	248																													
RM450/2R	132	5,5	2940	74																							339	337	332																												
RM450/2	132	7,5	2940	73																								356	353																												
RM500/2R	160	11	2950	77																																																					
RM500/2	160	15	2950	77																																																					
RM560/2R	160	18,5	2960	81																																																					
RM560/2	180	22	2960	81																																																					
RM500/4R	90	1,1	1420	62																									89	88	87	83	78	72																							
RM500/4	90	1,5	1420	64																										95	94	93	90	85																							
RM560/4R	100	2,2	1420	66																											113	112	110																								
RM560/4	100	3	1420	67																												121	121	120																							
RM630/4R	112	4	1440	69																															143																						
RM630/4	132	5,5	1460	70																																																					
RM710/4R	132	7,5	1460	72																																																					
RM710/4	160	11	1460	74																																																					
RM800/4R	160	15	1460	75																																																					
RM800/4	180	18,5	1460	76																																																					
RM900/4R	200	30	1465	78																																																					
RM900/4	225	37	1470	78																																																					
RM1000/4R	225	45	1470	80																																																					
RM1000/4	250	55	1485	82																																																					
RM1120/4R	280	75	1490	83																																																					
RM1120/4	280	90	1490	84																																																					
RM800/6R	132	4	955	66																																																					
RM800/6	132	5,5	960	68																																																					
RM900/6R	160	7,5	970	70																																																					
RM900/6	160	11	970	71																																																					
RM1000/6R	180	15	980	73																																																					
RM1000/6	200	18,5	985	73																																																					
RM1120/6R	200	22	985	74																																																					
RM1120/6	225	30	985	76																																																					
RM1250/6R	250	37	990	78																																																					
RM1250/6	280	45	990	78																																																					
RM1400/6R	280	55	990	80																																																					
RM1400/6	315	75	995	81																																																					

*Noise tolerance ±4dB(A)*

Q [m³/h]																											
3960	4320	4680	5400	6120	7200	7920	9000	10080	10800	12600	14400	16200	18000	19800	21600	25200	28800	32400	36000	39600	43200	46800	54000	61200	68400	76500	86400
pt [mmH₂O]																											
124																											
204	183	160	112																								
232	212	191	146	98																							
325	315	303	274	238	176	129																					
347	338	328	302	270	210	168																					
380	380	378	369	353	320	292	242	187	147																		
	412	412	408	399	375	353	313	266	231																		
		486	488	483	473	452	422	399	329	247	157																
			523	524	520	507	485	467	410	340	259																
64																											
80	73	65	48																								
108	104	99	89	75	52																						
119	116	113	104	91	73	56																					
143	142	140	135	128	113	101	81	60																			
	163	163	160	155	145	135	119	101	87																		
		187	187	182	176	165	151	140	110	78																	
			210	210	208	202	192	185	162	134	104	74															
				251	250	247	243	230	212	190	165	138	110														
					271	270	268	260	246	228	208	184	158	103													
						329	329	325	316	305	290	273	231	184	134												
							354	354	349	341	330	316	261	239	193												
								404	402	398	390	369	340	304	264	220	175										
								448	450	449	445	431	410	381	348	310	269	226									
									511	512	509	498	480	457	429	396	360	281	198								
										571	570	561	540	530	507	480	416	347	265								
107																											
	108	107	104	101	92	84	77	62	43																		
	117	117	116	114	108	103	98	85	65	48																	
		145	145	144	142	139	130	117	103	90	76	61															
			156	156	153	151	147	133	125	110	98	80															
				180	180	178	173	167	157	143	136	107	76														
					196	197	195	191	185	176	168	146	117	89													
						224	223	220	215	211	193	170	148	115	95												
							250	250	248	245	235	220	201	178	155	129	103										
								287	286	282	274	261	246	228	207	185	138										
									315	315	311	304	293	280	264	246	205	160									
										351	349	344	335	325	312	280	242	200	151								
											399	399	396	390	383	361	314	301	259								

The A-weighted sound power level, LpA (Chap.13), is the value measured in test conditions at the point of maximum noise level.

**RM - RM/T**

## SUCTION CHARACTERISTICS

•Load tolerance ±5%

• Fan Type	• Motor P inst. [kW]	n	LpA [dB(A)]	Q [m³/h]																							
				360	400	430	470	540	650	720	790	865	935	1080	1225	1370	1440	1620	1800	2160	2520	2880	3240	3600			
RM220/2	63	0,18	2820	54	70	69	68	66	63	56	51	44															
RM250/2R	63	0,25	2820	57			85	84	83	79	76	72	67	62	50												
RM250/2	71	0,37	2820	59				97	96	93	91	88	86	83	73	62	47										
RM280/2R	71	0,55	2850	61					109	108	108	106	104	102	97	89	79	74	56								
RM280/2	80	0,75	2850	61						122	121	120	120	118	114	110	103	100	88	73							
RM310/2R	80	1,1	2920	65									154	152	150	147	144	141	135	128	109	79					
RM310/2	90	1,5	2920	65										164	161	158	155	153	149	144	128	105					
RM350/2R	90	1,5	2920	63												187	188	188	187	185	179						
RM350/2	90	2,2	2920	68														204	204	205	202	195	184	169	152		
RM400/2R	100	3	2940	70																	271	269	262	252	239	223	
RM400/2	112	4	2940	71																		285	284	279	271	260	247
RM450/2R	132	5,5	2940	74																					330	329	324
RM450/2	132	7,5	2940	73																						346	344
RM500/2R	160	11	2950	77																							
RM500/2	160	15	2950	77																							
RM560/2R	160	18,5	2960	81																							
RM560/2	180	22	2960	81																							
RM500/4R	90	1,1	1420	62																	89	88	87	83	79	73	
RM500/4	90	1,5	1420	64																		95	94	93	90	86	
RM560/4R	100	2,2	1420	66																					112	112	110
RM560/4	100	3	1420	67																					120	120	120
RM630/4R	112	4	1440	69																							142
RM630/4	132	5,5	1460	70																							
RM710/4R	132	7,5	1460	72																							
RM710/4	160	11	1460	74																							
RM800/4R	160	15	1460	75																							
RM800/4	180	18,5	1460	76																							
RM900/4R	200	30	1465	78																							
RM900/4	225	37	1470	78																							
RM1000/4R	225	45	1470	80																							
RM1000/4	250	55	1485	82																							
RM1120/4R	280	75	1490	83																							
RM1120/4	280	90	1490	84																							
RM800/6R	132	4	955	66																							
RM800/6	132	5,5	960	68																							
RM900/6R	160	7,5	970	70																							
RM900/6	160	11	970	71																							
RM1000/6R	180	15	980	73																							
RM1000/6	200	18,5	985	73																							
RM1120/6R	200	22	985	74																							
RM1120/6	225	30	985	76																							
RM1250/6R	250	37	990	78																							
RM1250/6	280	45	990	78																							
RM1400/6R	280	55	990	80																							
RM1400/6	315	75	995	81																							

**RM - RM/T**

 •Noise tolerance  $\pm 4dB(A)$ 

Q [m <sup>3</sup> /h]																											
3960	4320	4680	5400	6120	7200	7920	9000	10080	10800	12600	14400	16200	18000	19800	21600	25200	28800	32400	36000	39600	43200	46800	54000	61200	68400	76500	86400
pt[mmH <sub>2</sub> O]																											
130																											
205	186	165	120																								
232	214	195	153	109																							
318	310	299	273	240	183	140																					
339	331	323	300	271	216	178																					
369	369	368	360	346	317	292	247	196	159																		
	399	399	396	389	369	350	314	272	240																		
			467	469	466	458	440	414	394	331	257	173															
				501	503	500	490	472	456	407	345	272															
65	57	49																									
81	75	67	51																								
108	104	100	90	77	55																						
119	116	113	105	93	76	60																					
142	141	139	134	128	114	103	84	64																			
	161	161	159	154	145	136	121	104	91																		
			185	185	181	175	165	152	142	114	84																
				207	208	206	201	192	185	165	139	111	83														
					246	246	243	240	228	212	192	169	144	118													
						266	265	264	257	245	229	211	189	165	115												
							320	321	318	310	301	287	272	234	191	145											
								344	345	341	335	325	313	263	244	203											
									391	390	387	380	362	336	304	268	227	186									
									432	434	434	431	419	401	376	347	313	277	238								
										489	490	488	479	464	444	420	391	359	287	211							
											545	545	538	520	512	493	470	414	354	280							
	106	107	107	104	101	93	85	79	65	47																	
		116	116	116	114	109	104	99	87	69	53																
			144	144	143	141	139	130	118	105	93	80	66														
				154	155	152	150	147	134	127	113	102	85														
					178	178	176	172	166	157	144	138	110	81													
						193	195	193	190	184	176	169	149	122	96												
							220	219	217	212	209	192	171	150	119	101											
								245	246	244	241	233	219	202	181	160	135	111									
									280	280	276	269	258	244	227	208	188	144									
										307	308	304	298	289	277	263	246	209	167								
											341	340	336	328	319	307	279	244	205	160							
												386	387	385	380	374	355	312	302	264	213						

The A-weighted sound power level, LpA (Chap.13), is the value measured in test conditions at the point of maximum noise level.

**RM - RM/T**

• Size	• Max rpm			
	CLASSE I	CLASSE II	CLASSE III	CLASSE IV
RM220	5200	6300		
RM250	5200	6300		
RM280	5000	5600		
RM310/R	4800	5200		
RM310	4550	5000		
RM350/R	4350	4700		
RM350R	4150	4500		
RM400/R	3950	4250		
RM400	3750	4000		
RM450/R	3550	3800		
RM450	3350	3600		
RM500/R	3250	3500		
RM500	3150	3400		
RM560/R	3050	3250	3550	
RM560	2950	3150	3300	
RM630/R	2600	2950	3200	
RM630	2400	2800	3050	

• Size	• Max rpm			
	CLASSE I	CLASSE II	CLASSE III	CLASSE IV
RM710/R	2250	2700	2950	
RM710	2100	2500	2750	
RM800/R	2000	2400	2600	
RM800	1900	2200	2400	
RM900/R	1750	2100	2300	
RM900	1650	2000	2200	
RM1000/R	1550	1850	2050	
RM1000	1450	1700	1900	
RM1120/R	1350	1600	1750	
RM1120	1250	1500	1650	
RM1250/R	1150	1350	1550	
RM1250	1050	1250	1450	
RM1400/R	1000	1200	1350	
RM1400	950	1150	1300	
RM1600	900	1050	1200	
RM1800	950	1050	1150	
RM2000	850	950	1050	

• Values valid up to 60°C

• between	60°C	• and	100°C	• degrade speed	4%
	100°C		150°C		10%
	150°C		200°C		16%
	200°C		250°C		23%
	250°C		300°C		30%
	300°C		350°C		37%
	350°C		400°C		45%
	400°C		450°C		54%
	450°C		500°C		64%

pt [mmH<sub>2</sub>O]

