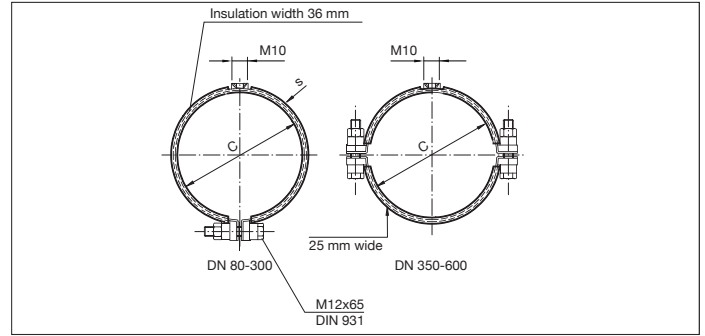


Mounting brackets GAEG for ceiling mounting



Mounting brackets GAEG for ceiling mounting

For the suspension of ducting on an existing structure. Delivered with 1x M12x65 bolts for assembly.

Can be mounted on a threaded rod (GAZF) by means of the integrated M10 connection.

Material

Galvanized steel

EPDM seal, Temperature range -20°C up to +90°C

Options

- Stainless steel AISI 304
- Silicone seal

Ø	Code	Width mm	s mm	Weight kg
80	GAEG000001	25	1.5	0.20
100	GAEG000002	25	1.5	0.24
120	GAEG000003	25	1.5	0.28
140	GAEG000004	25	1.5	0.32
150	GAEG000005	25	1.5	0.34
160	GAEG000006	25	1.5	0.35
175	GAEG000007	25	1.5	0.38
200	GAEG000008	25	1.5	0.42
224	GAEG000009	25	1.5	0.46
250	GAEG000010	25	1.5	0.49
280	GAEG000011	25	1.5	0.52
300	GAEG000012	25	1.5	0.56
315	GAEG000013	25	1.5	0.58
350	GAEG000014	30	2.5	1.15
400	GAEG000015	30	2.5	1.31
450	GAEG000016	30	2.5	1.47
500	GAEG000017	30	2.5	1.61
550	GAEG000018	30	2.5	1.76
560	GAEG000019	30	2.5	1.81
600	GAEG000020	30	2.5	1.89
630	GAEG000021	30	2.5	1.97