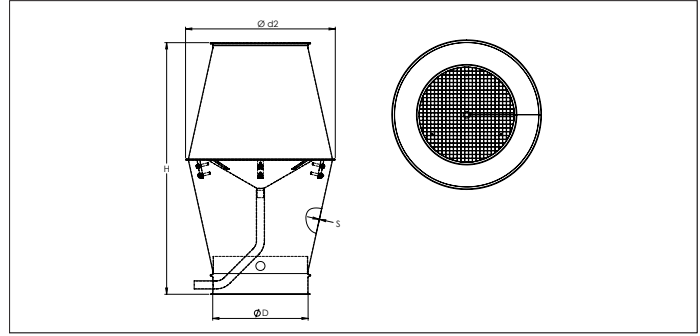


AAGB Jet caps



AAGB Jet caps

Jet caps are standard spot-welded and consist of 2 cones that are seamed together, internally provided with inner cone with a drain for rainwater (rigid copper pipe).

The outlet side is provided with a bird screen.

Because of the vertical outlet there is less resistance and the inner cone creates a higher outflow than with a rain cap.

Material

Sendzimir galvanized DX51 DZ 275 MAC, and Vergacol sealant.
Grill of 1,5 mm mesh with 24 x 24 mm spacing.

Type

Rollled sheets stitch-welded and spot-welded, with a 6 mm edge for lock rings.

With 4 integrated lifting points as of Ø500 for easy handling.

Options

- other diameters
- other sheet thicknesses depending on diameter and length
- other types of edges or connections

Ø	Code	Ø d2 mm	H mm	s mm	Weight kg
100	AAGB000001	165	370	0.75	1.65
120	AAGB000002	185	425	0.75	1.90
125	AAGB000028	185	425	0.75	2.00
140	AAGB000003	215	465	0.75	2.80
150	AAGB000004	230	490	0.88	3.10
160	AAGB000005	245	510	0.88	3.40
180	AAGB000006	275	545	0.88	4.00
200	AAGB000007	305	590	0.88	4.75
225	AAGB000008	345	635	0.88	5.70
250	AAGB000009	380	690	0.88	6.70
275	AAGB000010	420	740	0.88	7.90
280	AAGB000029	425	740	0.88	8.00
300	AAGB000011	460	790	0.88	9.20
315	AAGB000012	480	820	0.88	10.00
350	AAGB000013	535	930	0.88	12.50
400	AAGB000014	610	1036	0.88	18.00
450	AAGB000015	690	1136	0.88	20.60
500	AAGB000016	765	1244	0.88	25.00
550	AAGB000017	840	1350	0.88	29.50
600	AAGB000018	915	1450	0.88	34.20
630	AAGB000019	960	1540	0.88	37.50
650	AAGB000020	990	1540	0.88	38.50
700	AAGB000030	1070	1658	0.88	44.30
750	AAGB000031	1145	1746	1.25	44.50
800	AAGB000032	1220	1695	1.25	81.30
850	AAGB000033	1295	1795	1.25	87.60
900	AAGB000034	1375	1950	1.25	96.90
950	AAGB000035	1450	1975	1.25	106.70
1000	AAGB000036	1525	2120	1.25	115.00