

**NCEA000001 - Dust level sensor for BADA-FAB**



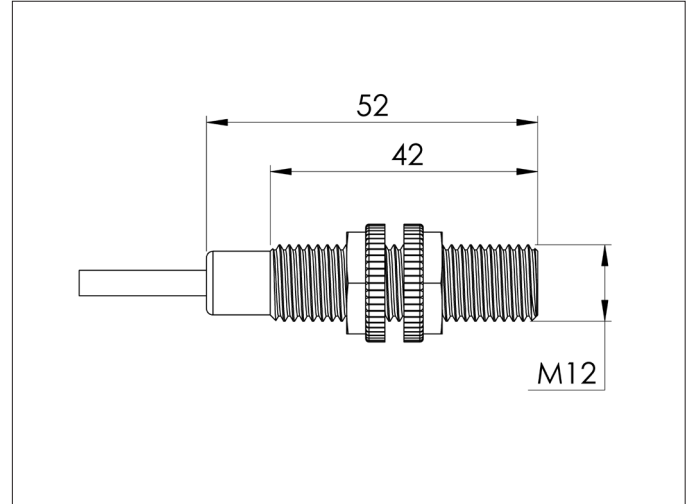
**NCEA000001 - Dust level sensor for BADA-FAB**

This sensor is designed to measure the dust level formation within the BADA-FAB ATEX non-return valve and give a signal in case of non-compliance.

It is a prewired device produced according to the ATEX directives.

**Protection level**

- II 1G Ex ia IIC T6...T1 Ga
- II 1D Ex ia IIIC T135°C Da



**Material**

Stainless steel housing with M12 mounting nuts

**Type**

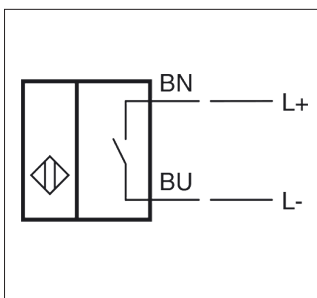
Pre-wired with 2 x 10 m PVC coated cables

**Other information**

- conformity according to : CE, CSA, UL and FM
- NAMUR compliance : EN 60947-5-6:2000 IEC 60947-5-6:1999 and EN 60947-5-2:2007
- other Compliance standards : EN 60947-5-2/A1:2012, IEC 60947-5-2:2007, and IEC 60947-5-2 AMD 1:2012
- voltage : 12 V DC
- protection : IP 68
- temperature range : -25°C to +70°C

**Options**

- other voltages



Wiring diagram