

BADA-VEX

ATEX non-return valves



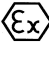
Maintenance manual (EN), page 2

Manuel de maintenance (FR), page 33

Wartungshandbuch (DE), Seite 65

V1.2-2023

Table of content

1.	Introduction	4
2.	Preamble.....	4
3.	Safety information.....	4
4.	Standards and certificates.....	5
4.1.	BADA-VEX range is according to following standards :.....	5
4.2.	Manufactured according to quality standards :.....	5
4.3.	Conformity of complementary standard :.....	5
5.	Working features	5
5.1.	BADA-VEX range: DN 160 to DN800 (DN 6" to DN 32").....	5
5.2.	Working airflow: Under-pressure airflow (pull flow).....	5
5.3.	BADA-VEX installation features (Tab-1) :.....	6
6.	BADA-VEX working	6
6.1.	Airflow rules :	6
6.2.	Explosion risk direction :.....	7
6.3.	BADA-VEX working modes:	8
6.4.	Setting of working mode :.....	9
6.4.1.	Floating flap mode :	9
6.4.2.	Flap kept open mode by mechanic system :.....	10
6.4.3.	Flap position indicator, when it's opened :	12
6.4.4.	Flap position in idle position (only for floating flap mode) :.....	12
6.4.5.	Flap indicator in waiting position :.....	13
6.4.6.	Flap locked in closed position :.....	13
6.4.7.	Indicator position with flap locked closed :.....	14
7.	Installing the BADA-VEX.....	14
7.1.	Rules to install the BADA-VEX :	14
8.	Overall dimensions (The list of models is not exhaustive)	19
8.1.	BADA-VEX range in metric « DN » (TAB-4).....	19
8.2.	BADA-VEX range in imperial « DN » (TAB-5).....	20
9.	Flap locking sensor (in closed position).....	20
9.1.	Inductive sensor Ø12 non-ATEX zone (DN≤350 - DN≤14") :	21
9.2.	Optional : inductive sensor Ø12 for ATEX zone -  II 2 D (DN≤350 - DN≤14") :	21
9.3.	Inductive sensor Ø18 non-ATEX zone (DN≥400 - DN≥16") :	22
9.4.	Optional : inductive sensor Ø18 for ATEX zone -  II 2 D (DN≥400 - DN≥16") :	22
10.	Dust build-up sensor.....	22
10.1.	Capacitive sensor Ø12 for ATEX zone -  II 1 D:.....	24
11.	ATEX marking.....	25
11.1.	Certification features :.....	25
11.2.	Scope of the standards present on product marking :.....	25
11.3.	Marking example :	25
12.	Aeraulic pressure loss	26

12.1.	Pressure loss graphs.....	26
12.2.	Pressure loss values (in mm H ₂ O /inch Wg) measured at 20 m/s (4000 ft/min) (TAB-8).....	27
13.	Maintenance operations and periodic inspections.....	28
13.1.	Standard requirements :.....	28
13.2.	Periodic inspection operations :	28
13.3.	Check all following points (TAB-9):.....	29
13.4.	Procedure in case of an explosion :	29
14.	Dismantling and recycling	30
15.	Maintenance log	31
	Contacts.....	32

1. Introduction

This manual cannot be reproduced, even partially, without prior written consent by Formula Air Group. Every step of the ATEX non-return valve range has been deeply analyzed by Formula Air Group in the expected area during the design, construction, and user manual creation. However, it is understood that nothing can replace the experience, training and good sense of those professionals who work with the device.

Ignoring the cautions and warning from the present user manual, using improperly parts or the whole device supplied, using unauthorized spare parts, manipulating the device by non-qualified personnel, violation of any safety norm regarding design, construction and use expected by the supplier, exempt Formula Air Group from all responsibility in case of damages to people or properties.

Formula Air Group does not take any responsibility for the non-observance of the user about the preventive safety measures presented in this user manual.

Failure to comply with the requirements of the user manual or incorrect use of the ATEX non-return valve during operation can lead to the damage of the ATEX non-return valve and improper functioning of the ATEX non-return valve itself. This will result in termination of the warranty on the item and will release the manufacturer from any liability.

Certification

The BADA-VEX non-return valve range is conform to ATEX norms EN16447 & EN15089.

Warranty : Refer to the general sales condition in regards to the device's warranty.

Attention !

All drawings and references contained within this user manual are non-contractual and are subject to change without prior notice at the discretion of the Formula Air Group and its partners.

Copyright © Formula Air.

2. Preamble

Before proceeding to the installation of the valve, please read carefully the following instructions.



Warning :

All instructions contained within this manual have to be fully understood and absolutely followed in order to guarantee the proper functioning of the BADA-VEX ATEX non-return valve. If you have any questions, especially in specific applications, please contact FORMULA AIR.

3. Safety information

The BADA-VEX is a protection device for dust ATEX zone (EX II D). The facility manager has to implement the European regulation 1999/92CE. To be sure that this device is correctly used, the authorized workers have to be trained on the warning signs and safety rules to ensure the safety of people and facilities.



Non-return valve safety rules according to the standards EN 16447. The explosion isolation non-return valves have not to be used to protect installations with the following substances, nor a mixture containing some of these substances:

- a) Gas, steams or hybrid mixing
- b) Unstable chemical substances
- c) Explosive substances
- d) Pyrotechnic substances



It is mandatory to respect the pipe length between the protected vessel and the BADA-VEX according to minimum (Lmin) and maximum length (Lmax) to assure the BADA-VEX isolation in case of explosion.

The vessel(s) connected to the BADA-VEX must be protected :

- Either by an explosion venting device (vent panel, flameless)
- Or a suppression system



BADA-VEX is designed to isolate a vessel with a pressure resistance of ≤ 0.5 bar (Pred). In case the vessel has a higher resistance, the explosion discharge device has to be defined with maximum reduced pressure in it of (Pred) ≤ 0.5 bar. Therefore the pipes between the BADA-VEX and vessel need to resist to 2 bar (like the BADA-VEX).



Don't use the BADA-VEX to support the pipes upstream or/and downstream. It should not be subjected to strong vibration to keep its isolation integrity in case of explosion.



Assure the electrical continuity of the installation (earthing) by connecting the BADA-VEX with earth wires to both pipes.

4. Standards and certificates

4.1. BADA-VEX range is according to following standards :

- 2014/34/UE ATEX regulation
- EN 16447 : 2014 Explosion isolation flap valves
- EN 15089 : 2009 Explosion isolation systems
- EN 1127-1 :2019 Explosion prevention and protection - Part 1
- EN 14460 : 2018 Explosion resistant equipment



4.2. Manufactured according to quality standards :

- 0080 N° of notified body in charge of checking (INERIS)
- INERIS 23ATEX0012X N° of EU type examination certificate



4.3. Conformity of complementary standard :

- NFPA 69 : 2019 Explosion Prevention Systems




5. Working features

BADA-VEX is an ATEX protective device equipped with a mobile flap which will close under explosion overpressure and will lock in closed position to avoid the flame to propagate through the ducting to another part of the facility (suction inlet, filter...).

BADA-VEX is certified for PUSH and PULL flow installations.


BADA-VEX seal the pipe to stop explosion from spreading, either if the explosion come from in opposite direction of the air + dust flow (example: see picture 1, page 5: "position **A**") or if the explosion come from the direction of the clean airflow (example: see picture 2, page 5: "position **D**"). In this second case, you need to use the non-return valve with the flap locked in open position.

 Working limits of the BADA-VEX range are defined to ensure the safety of workers, equipment and the installation. Upholding these limits are the responsibility of the Management exploiting the premises.

5.1. **BADA-VEX range:** DN 160 to DN800 (DN 6" to DN 32")

5.2. **Working airflow:** Under-pressure airflow (pull flow)
Over-pressure airflow (push flow)

- Bends are allowed upstream and downstream of the BADA-VEX, no quantity limit or position restrictions,
- The BADA-VEX can be installed in vertical position (Pictures 15 + 16)

Kst,max	≤250 bar.m/s	Pred,max *	≤ 0.5 bar	Airflow speed	Clean air side : ≤ 30 m/s Loaded air side : ≤ 45 m/s
Kst,min	No limit	BADA-VEX resistance	2.0 bar	Placement	Air & dust ducting Clean air ducting
Pmax	10 bars	ATEX marking	 II D	Airflow range	Under-pressure : Pull flow Over-pressure : Push flow
MIE	≥ 10 mJ	ATEX inside	Zone 20 (II 1 D)	Over-pressure limit	500 mbar max
MIT	≥ 400°C	Dust type**	All dust types	Under-pressure limit	- 800 mbar max
MESG	1.7 mm	Dust concentration	No limit	Qty.of bends	No limit

* Vessel (potential explosion source)

** Organic dust, synthetic dust or metal dust according to the limits defined above.

Working temperature	
Standard : flap gasket in EPDM	-30°C to +70°C / -22°F to 158°F
Option : flap gasket in SILICONE	-10°C to +180°C*** / 14°F to 356°F***

***Caution: With standard sensor, the working temperature is limited to 70°C / 158°F. Option is available up to 150°C/302°F only for locking sensor.

5.3. BADA-VEX installation features (Tab-1) :

DN		Vmin	Lmin	Lmin +2m	Lmax
Ø160	(6")	0,70 m ³	4,0 m	6,0 m	17 m
Ø160	(6")	1,35 m ³	3,0 m	5,0 m	17 m
Ø180	(7")	0,70 m ³	4,0 m	6,0 m	17 m
Ø180	(7")	1,35 m ³	3,0 m	5,0 m	17 m
Ø200	(8")	1,35 m ³	4,6 m	6,6 m	17 m
Ø250	(10")	1,35 m ³	4,0 m	6,0 m	17 m
Ø300	(12")	2,90 m ³	4,6 m	6,6 m	17 m
Ø350	(14")	2,90 m ³	4,2 m	6,2 m	17 m
Ø400	(16")	4,50 m ³	5,2 m	7,2 m	17 m
Ø450	(18")	4,50 m ³	4,7 m	6,7 m	17 m
Ø500	(20")	6,05 m ³	5,8 m	7,8 m	17 m
Ø550	(22")	6,05 m ³	5,5 m	7,5 m	17 m
Ø600	(24")	7,65 m ³	7,2 m	9,2 m	17 m
Ø650	(26")	7,65 m ³	6,7 m	8,7 m	17 m
Ø700	(28")	7,65 m ³	6,4 m	8,4 m	17 m
Ø750	(30")	10,00 m ³	7,3 m	9,3 m	17 m
Ø800	(32")	10,00 m ³	6,9 m	8,9 m	17 m

Vmin : Min vessel volume being protected by BADA-VEX isolation valve.

Lmax : Max installation distance between the vessel and the BADA-VEX.

Lmin : Min installation distance between the vessel and BADA-VEX, for floating flap with straight horizontal pipe, no bends.

Lmin + 2 m : Min installation distance between the vessel and BADA-VEX in at least one of following cases :

- Flap locked open by its spring system,
- Pipe with bend between isolated vessel and BADA-VEX, flap in horizontal position $\pm 10^\circ$ (see picture 18),
- Pipe with bend between isolated vessel and BADA-VEX, flap in vertical position, observe following rules :
 - Min installing distance = Lmin+2m, if vertical pipe from bend to BADA-VEX $> 5 \times \text{Øpipe}$,
Or
 - Min installing distance = Lmin+2m +5 $\times \text{Ø}$, if vertical pipe from bend to BADA-VEX = 5 $\times \text{Øpipe}$.

i Installation of BADA-VEX in vertical position must be with vertical pipe of min 5 $\times \text{Øpipe}$ between bend and BADA-VEX (see picture 16).

6. BADA-VEX working

6.1. Airflow rules :

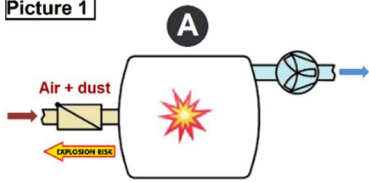
BADA-VEX is certified to work with under-pressure airflow (Pull flow) or over-pressure airflow (Push flow).

BADA-VEX can be installed in position A and B (picture 1) on the LOADED air side or in position D and E (picture 2) on the CLEAN air side. In position D and E the BADA-VEX needs to be locked open with the mechanical system.

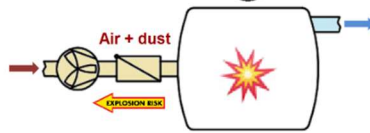
The working direction of airflow (Push flow or Pull flow) has no influence on the min installation distance.

i The working position D and E are advised to inject back the clean air inside the workplace. It's recommended to not use the position C (picture 3) and F (picture 4).

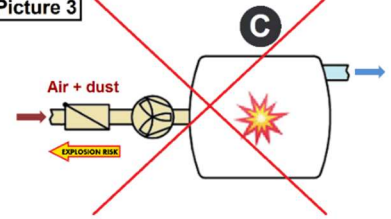
Picture 1



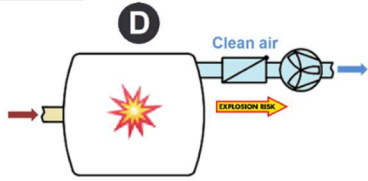
B



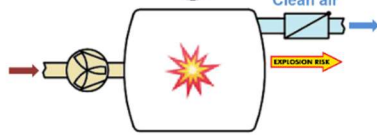
Picture 3



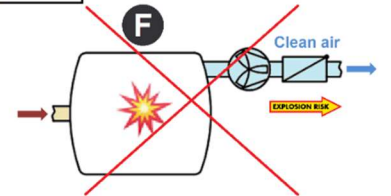
Picture 2



E



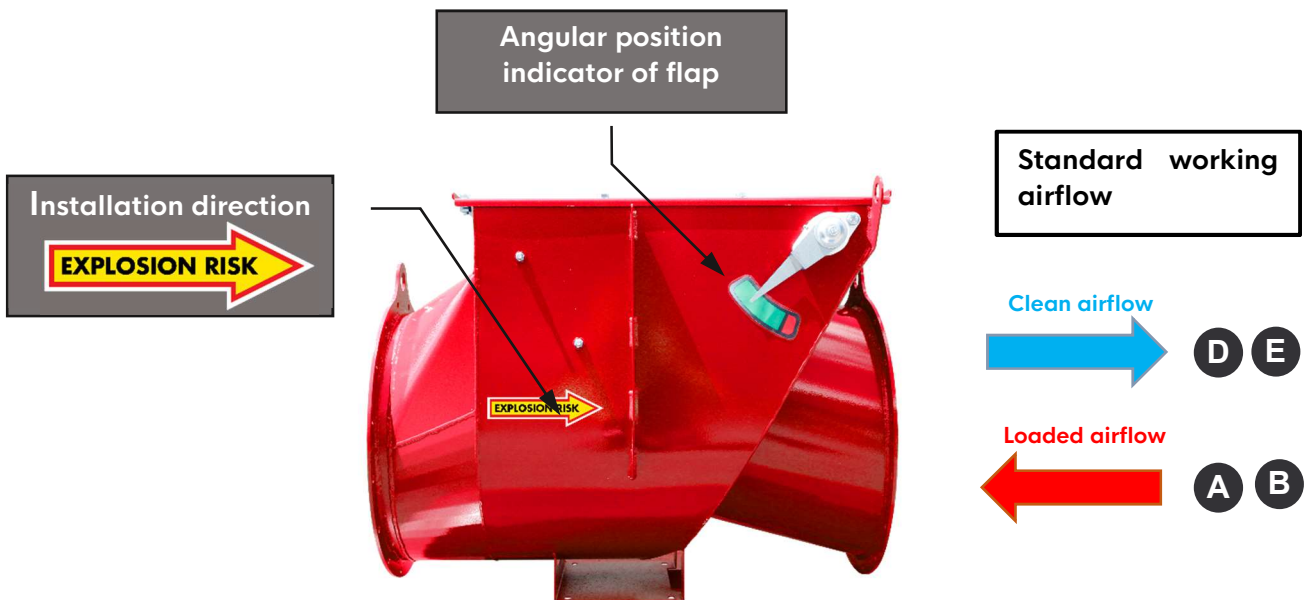
Picture 4



6.2. Explosion risk direction :



BADA-VEX installation must observe the direction of the "EXPLOSION RISK" arrow. In fact, this arrow indicates the direction of explosion flame which has to be stopped by the BADA-VEX, not the normal working airflow.



6.3. BADA-VEX working modes:



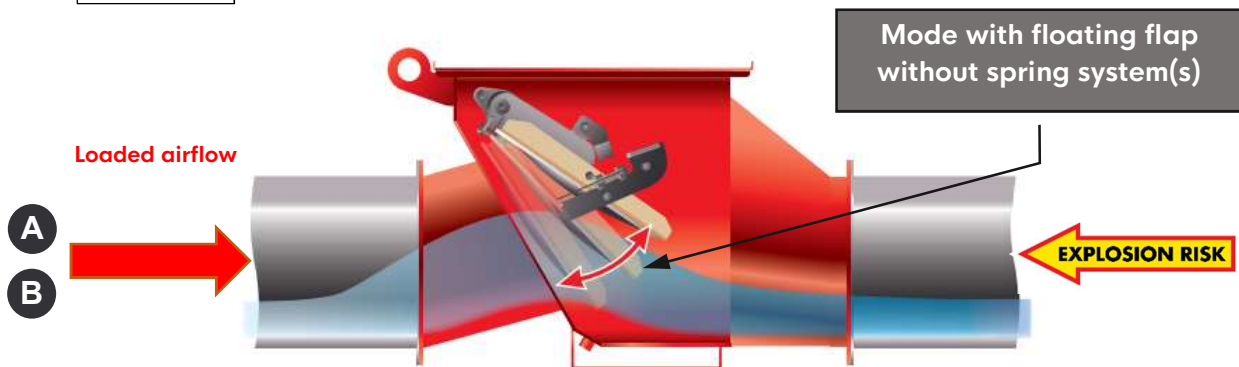
BADA-VEX can function following 2 modes: either with floating flap (picture 5) or flap kept open (picture 6). According to the chosen mode, you have to observe the installation distance L_{min} and L_{max} . These values have to be checked following the chosen mode as well as the volume of vessel with potential explosion risk (see Tab-1 page 4).

Floating flap mode, the flap is opened by the working airflow. When the fan stops, the flap closes itself by its weight without locking (wait to open).

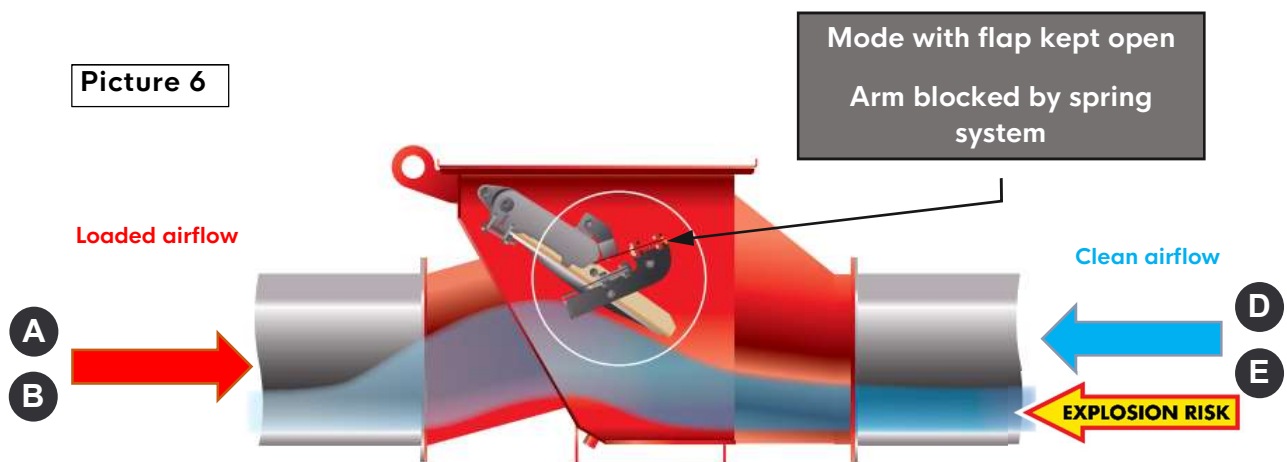
Kept open flap mode, flap is kept open by strip spring system in max opened position. In this mode, the BADA-VEX can be installed on the clean air side. The kept open flap position can support air speeds up to 30 m/s (6000 ft/min) without closing. It also can be installed in loaded air to reduce the pressure drop especially with low airflow speeds.

We advise using BADA-VEX in floating flap mode when it's installed in loaded airflows (working flow in opposition direction of explosion). However, BADA-VEX has to be used in keep opened flap mode when it's installed on the clean air side (explosion flame in same direction than working flow) according to direction of explosion risk.

Picture 5

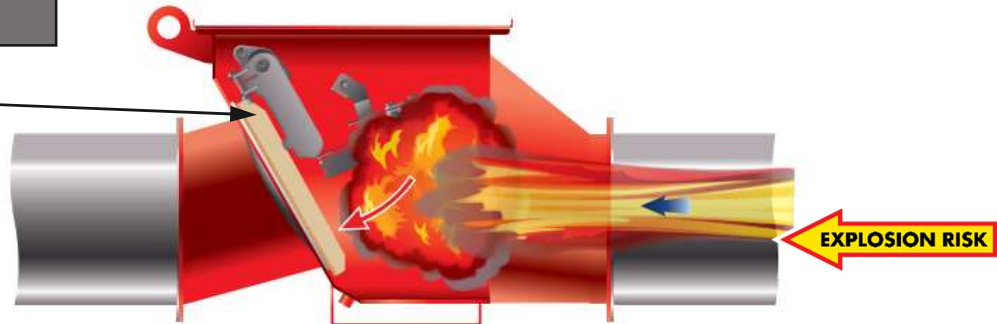


Picture 6



i Only the overpressure of an explosion is capable of activating the locking system of the valve.

The arm of the flap is locked in closed position by the mechanical locking system



6.4. Setting of working mode :



The BADA-VEX is delivered from the factory in the 'Locked Open' position. If you want to use the BADA-VEX with a 'Floating Flap' remove the external protection cover and take the following measures :

Be sure that the installation is switched off before operating on the BADA-VEX and remove the protect cover.

6.4.1. Floating flap mode :

To set up the BADA-VEX in mode : floating flap, you have to take off the spring strip(s) to allow the flap to move freely (picture 7 and 7b).



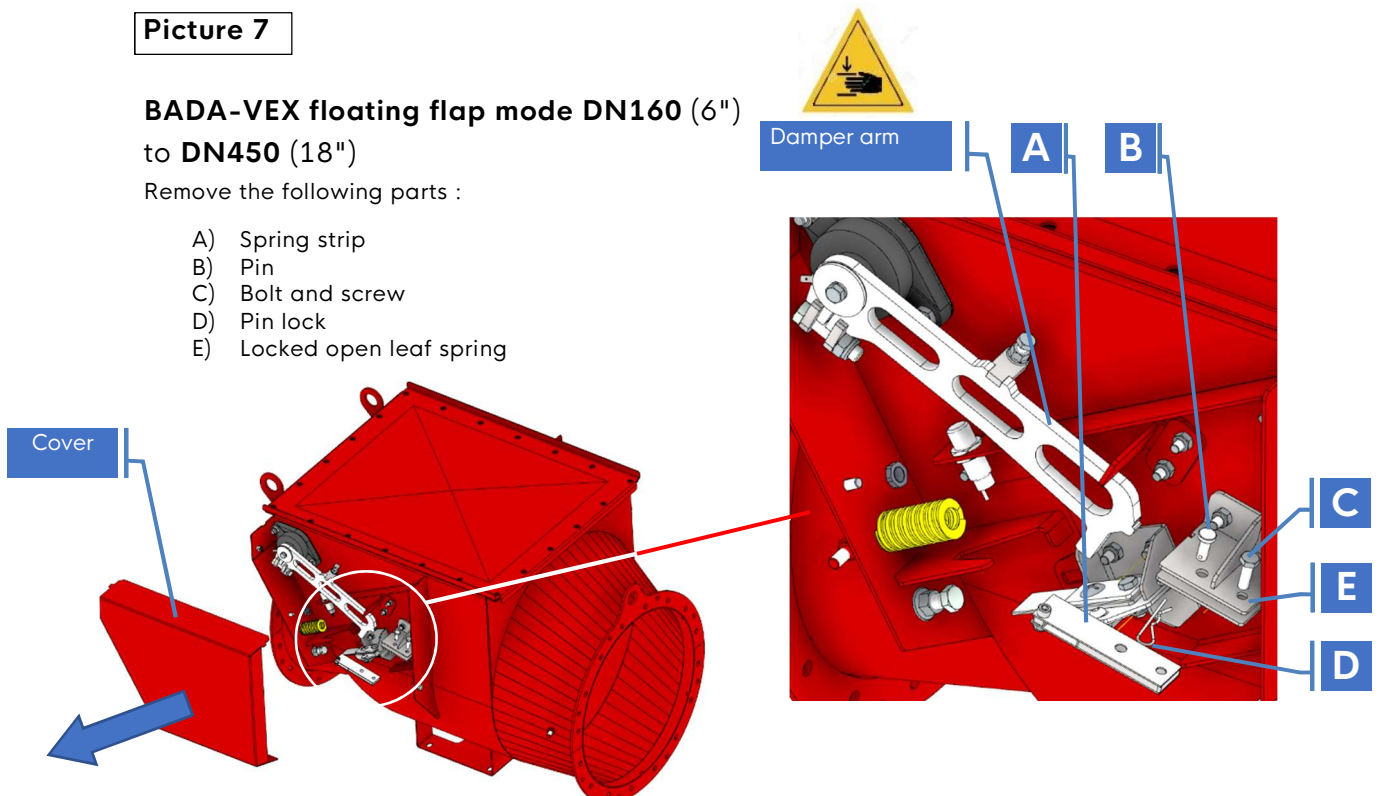
Caution : the outside arm is part of the moving parts. The weight of this subassembly is high for the BADA-VEX \geq DN 400 (16"). Be especially careful when handling it, don't put your hand either in the moving zone nor in the gasket zone of the flap inside the body.

Picture 7

BADA-VEX floating flap mode DN160 (6") to DN450 (18")

Remove the following parts :

- A) Spring strip
- B) Pin
- C) Bolt and screw
- D) Pin lock
- E) Locked open leaf spring

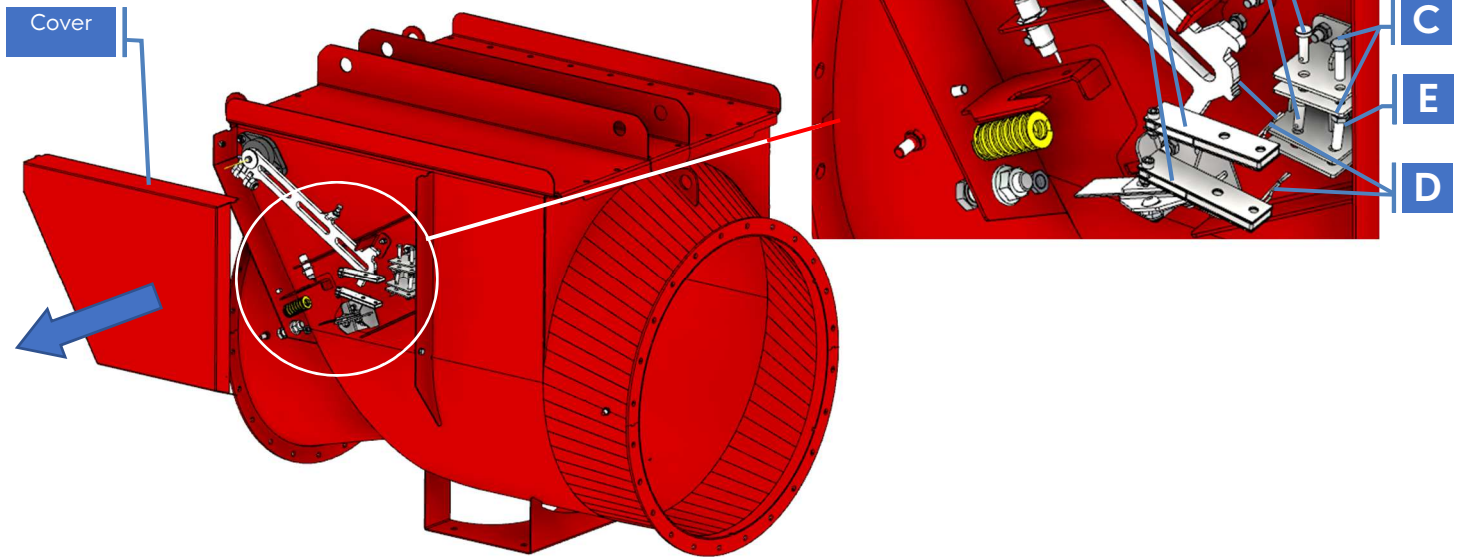


Picture 7b

**BADA-VEX floating flap mode DN500 (20")
to DN800 (32")**

Remove the following parts :

- A) 2 spring strips
- B) 2 pins
- C) 2 bolts and nuts
- D) 2 pin locks
- E) Locked open leaf springs



6.4.2. Flap kept open mode by mechanic system :



The BADA-VEX is delivered from factory in mode: Flap kept open by mechanic locked system. If you have to change the working mode into floating flap position, to set back the BADA-VEX in flap «locked open position» mode or to place again the flap in kept open position, you have to take off the protection cover and undertake the following operations :

1. To set back on mode: flap kept open by mechanic system, you have to put in place the spring strip(s) ref. A on the bracket(s) ref. E operate in opposite way as described in the pictures 7 or 7b. Then tighten the bolt to 5 Nm and loosen by a ¼ turn.
2. To place again the flap in kept open position by mechanic system (picture 8 and 8b). Step 1, you have to turn the spring strip(s) ref. A to outside position in order to raise the arm against the top stop part ref. F. Step 2, you have to turn back the spring strip(s) under the outside arm and slowly release the arm. Now, you have to lock the spring strip(s) in position with the pin ref. B and pin lock ref. D.



It's forbidden to use the BADA-VEX without protection cover.
You have to put the cover back in place with fixing screws after each operation.

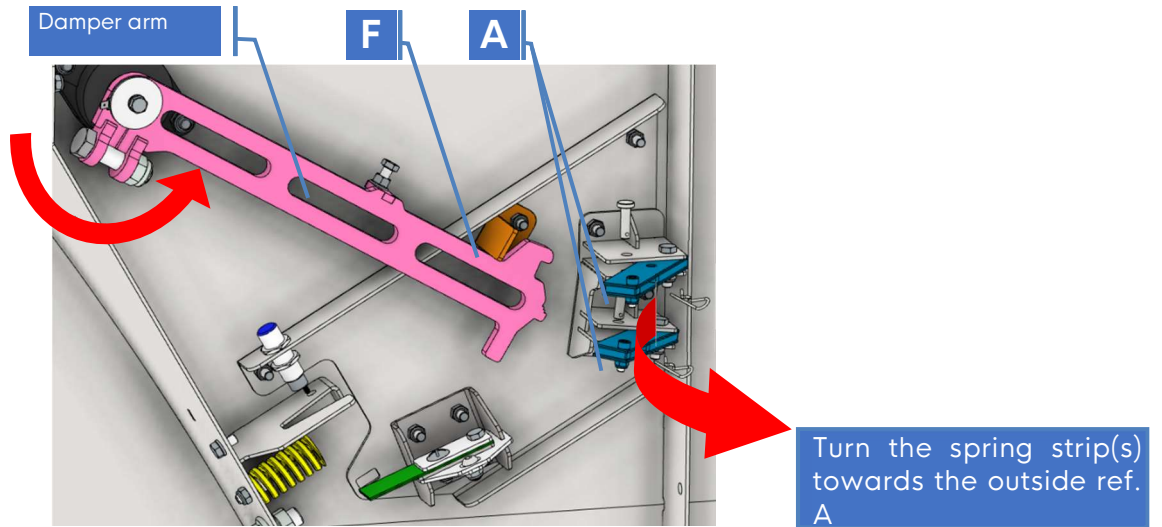
Picture 8

BADA-VEX flap kept open by mechanic system

1er step: raise the arm against the top stop part

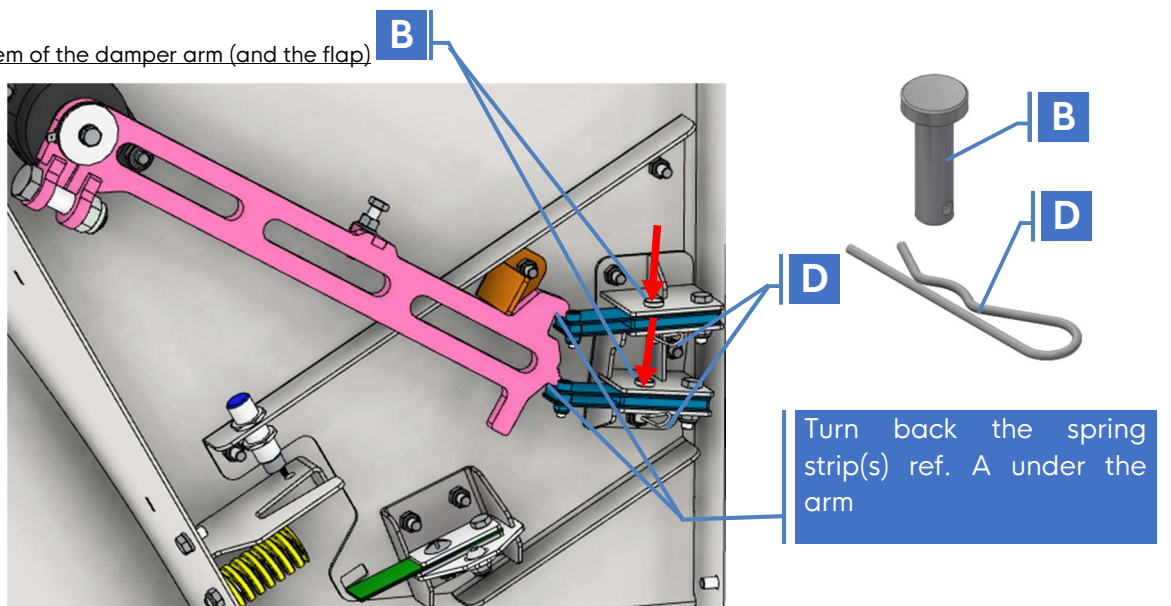
Example of BADA-VEX DN≤500 (20") with double spring strips.

Operation is the same for all other sizes, only difference about spring strip number.



Picture 8b

2nd step:
lock the blocking system of the damper arm (and the flap)



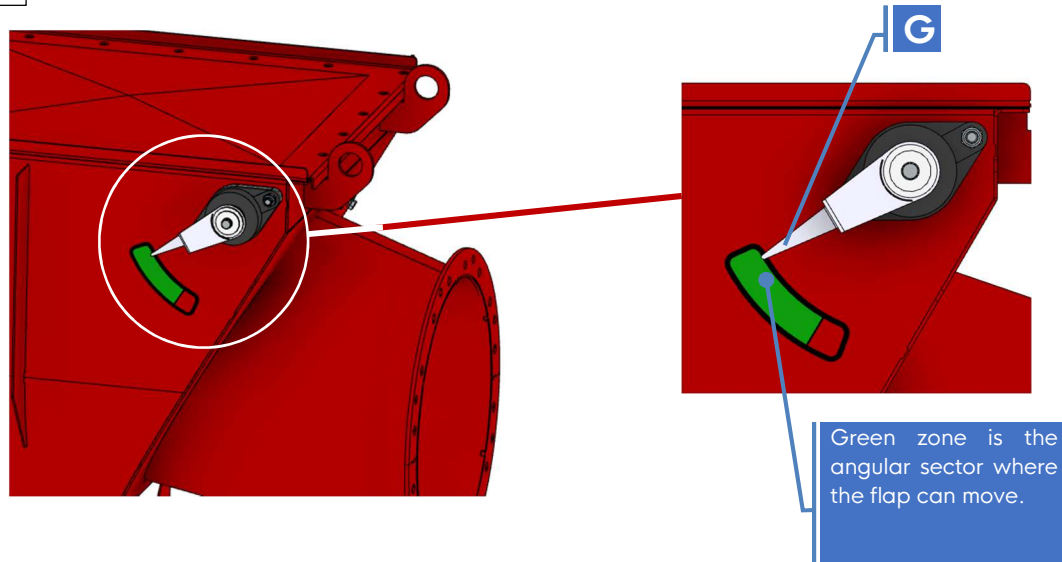
i In function of the BADA-VEX size, 3 models of flap kept open system exist. Number and design of spring strips are defined in this table (Tab-2):

BADA-VEX range	Ø160 to Ø350 Ø6" to Ø14"	Ø400 to Ø450 Ø16" to Ø18"	Ø500 to Ø800 Ø20" to Ø32"
Version rep. A	Flexible	Rigid	Rigid
Qty rep. A	x1	x1	x2
Drawing			

6.4.3. Flap position indicator, when it's opened :

Totally open position is visible from outside via angular indicator ref. G (picture 9) independently of the running mode: flap kept open position from mechanic system or floating flap. When the flap is open, the indicator ref. G is on the top of the green part.

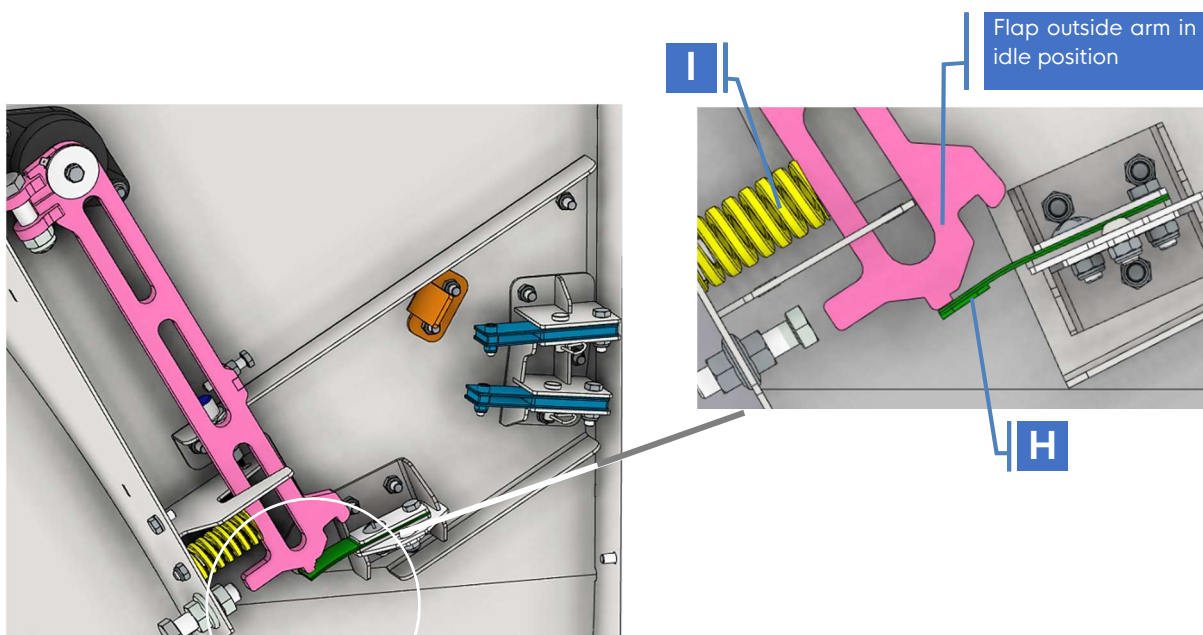
Picture 9



6.4.4. Flap position in idle position (only for floating flap mode) :

In floating flap mode the BADA-VEX flap is simply opened by airflow generated by the fan. When the fan is stopped, the flap drops down and the outside arm rests against the locking spring strip ref. H but unlocked by bottom spring(s) ref. I (picture 10).

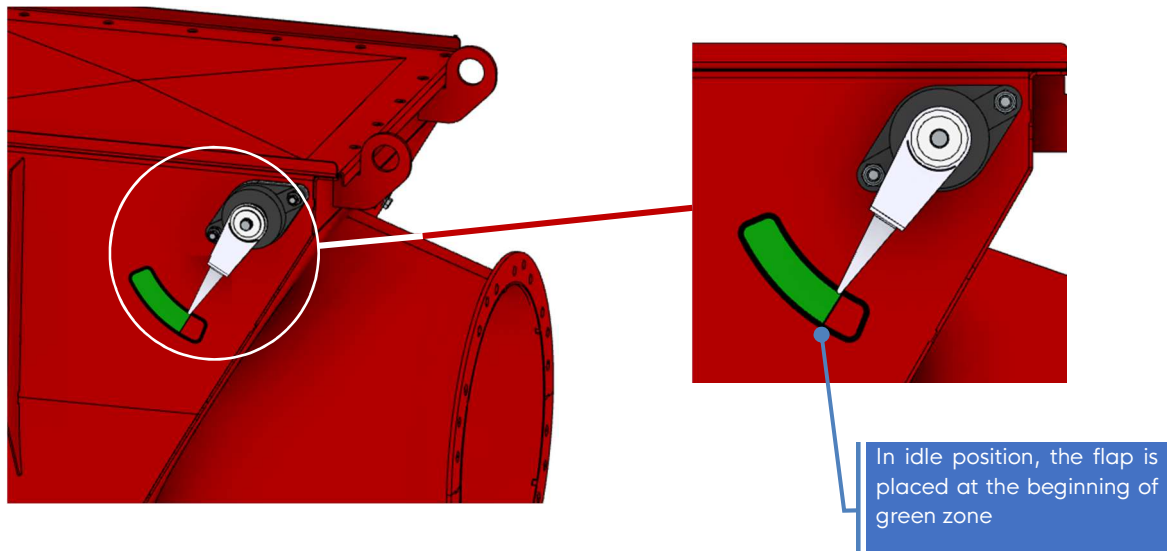
Picture 10



6.4.5. Flap indicator in waiting position :

Flap position in waiting is visible from outside by the indicator ref. G placed in limit of green and red zones. (Picture 11).

Picture 11

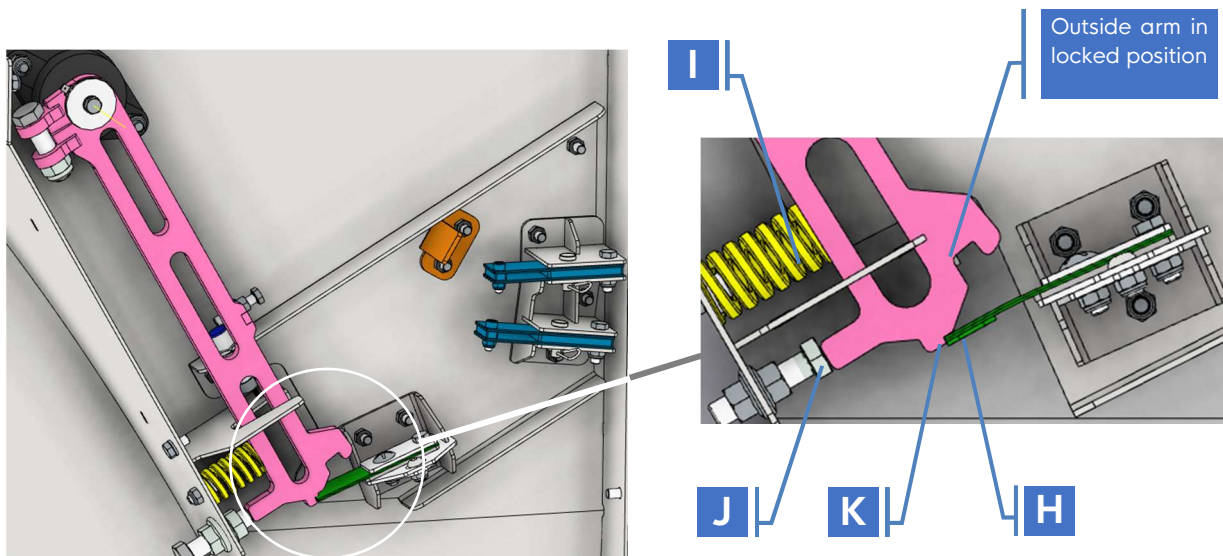


6.4.6. Flap locked in closed position :

The flap can be closed by explosion overpressure or by air flow > 35 m/s in case of BADA-VEX installed on clean air pipe, position **D** (picture 2). In this case, at the end of the fall, the outside arm pushes the spring(s) ref. I until the stop part ref. J, so the locked spring strip ref. H comes and lock the outside arm of BADA-VEX ref. K (picture 12).

i To unlock the flap, you have to press on the spring ref. I with the outside arm. So, you can push down on the locked spring strip ref. H in order to release the moving part.

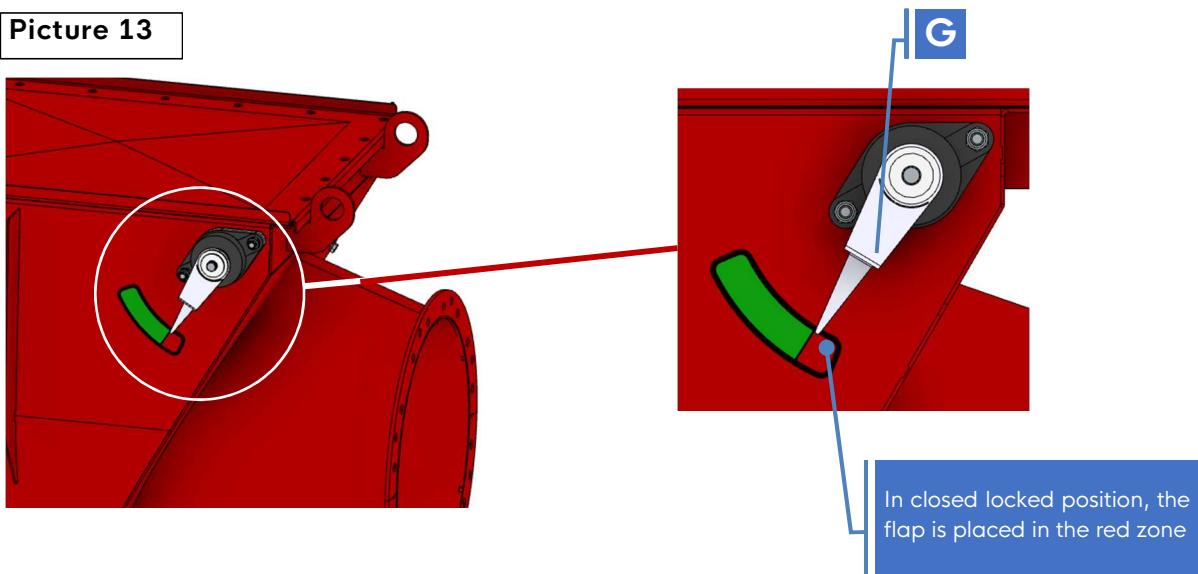
Picture 12



6.4.7. Indicator position with flap locked closed :

Flap position when it's closed locked (flame is stopped) is visible from outside by the indicator ref. G placed in the red zone (picture 13).

Picture 13



7. Installing the BADA-VEX



Verification required before starting the installation :

The installer has to check before starting the installation that the delivered material hasn't suffered any distortion.

BADA-VEX installation must be realized by qualified staff, especially regarding safety rules for workers when they can be in ATEX risk zone following European regulation n°1999/92/CE.

Upstream and downstream ducting must match the BADA-VEX pressure resistance (2 Bar).

7.1. Rules to install the BADA-VEX :

1. Always use lifting eyes ref. L when handling the BADA-VEX (picture 19).
2. Respect the installation distances L_{min} , L_{max} and also volumes V_{min} according to the BADA-VEX size (pictures 16, 17, 18 and see TAB-1).
3. Attach the BADA-VEX on a support bracket to avoid that the pipes support the device's weight.
4. To put back the access door ref. P, you must tighten the M10 bolts with torque 20 Nm to avoid leakage (Picture 19).
5. Place gaskets between the BADA-VEX and the pipe flanges on either side.
6. Respect the tightening torque according to the bolt size of fixing flange (TAB-3).

Screw class \geq 6.8	Tightening torque
M6	5 Nm
M8	10 Nm
M10	20 Nm

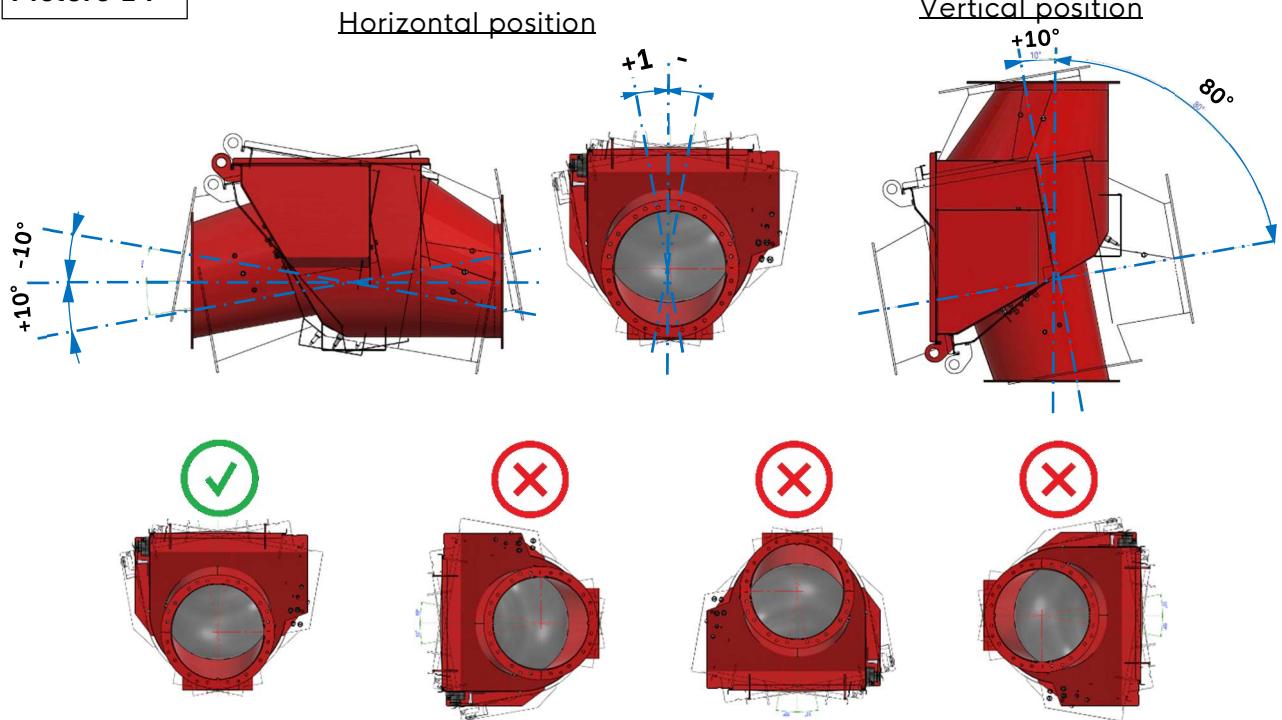
7. Select the BADA-VEX working mode (Floating OR 'Locked Open' before installation).



NOTE : BADA-VEX is delivered with the flap in the 'Locked OPEN' position.

8. Respect the installation tolerances for HORIZONTAL and VERTICAL positioning (picture 14).

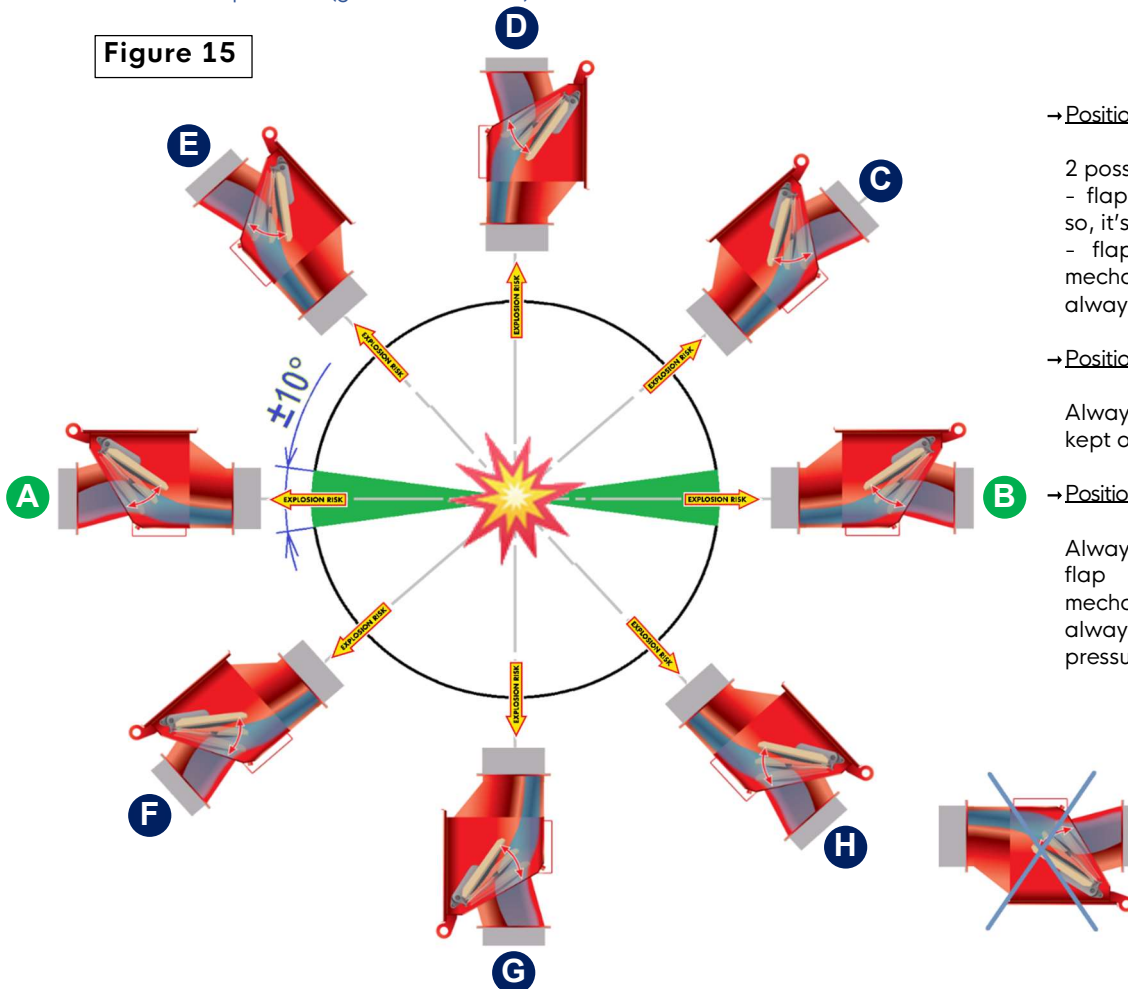
Picture 14



9. Allowed Orientation of BADA-VEX for horizontal and vertical installations (picture 15).

- The positions A and B according to BADA-VEX installations in horizontal position $\pm 10^\circ$.
- The positions C, D, E, F, G and H are according if the BADA-VEX is installed in angled or vertical positions (greater than $\pm 10^\circ$).

Figure 15



→ Position **A** to **E** & **B** to **C**

- 2 possibilities to work:
- flap in floating position so, it's open by airflow.
 - flap is kept open by mechanic system, so it's always open.

→ Position **C** to **D** & **E** to **D**

Always work with flap kept open by gravity.

→ Position **A** to **G** & **B** to **G**

Always need to work with flap kept open by mechanic system, so it's always open (if not pressure drop is too high).

10. Allowed installation distances from isolated vessel to BADA-VEX :

- Multiple bends are permitted (no quantity limit) in any position, upstream or downstream of the BADA-VEX. The system is functional with bend on the pipe in upstream or downstream of BADA-VEX. Lmin and Lmax installation distances must be observed (see TAB1).
- Lmax is 17 m, it includes all pipe elements (especially the bends) and it's measured on the center of the ducting.

Lmin : Min distance in floating flap mode on straight horizontal pipe ($\pm 10^\circ$), without bend (picture 17, see TAB 1).

Lmin+2m : Min distance between isolated vessel and BADA-VEX in at least one of following cases :

- Flap in Locked Open mode (picture 18, see TAB 1).
- Pipe with bend between isolated vessel and BADA-VEX, flap in horizontal position $\pm 10^\circ$ (see picture 18).

Pipe with elbow between isolated vessel and BADA-VEX, flap in vertical position (over 10°), observe following rules (pictures 16, TAB 1) :

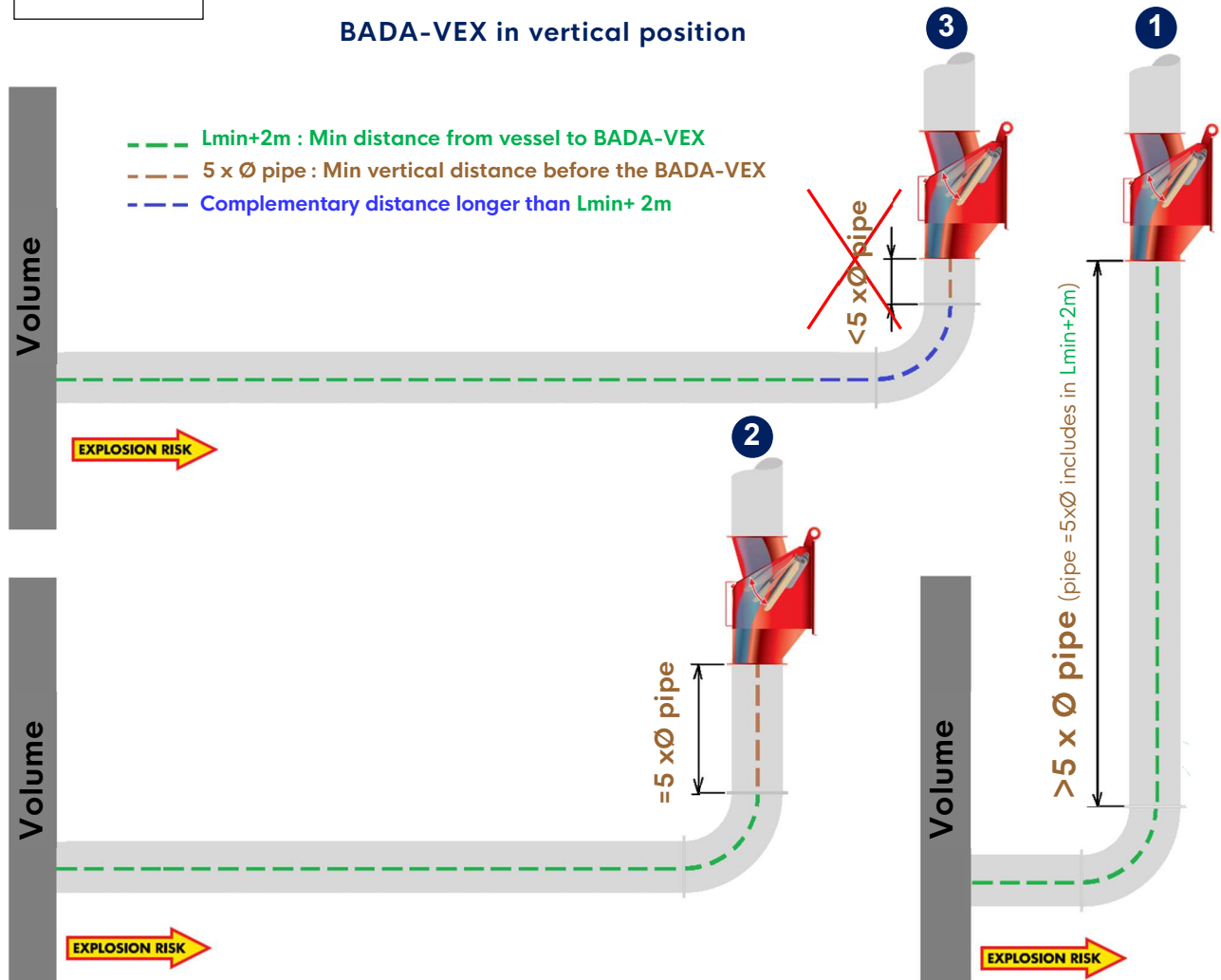
- 1
- 2
- 3

* Min installing distance = Lmin+2m, if vertical pipe from bend to BADA-VEX $> 5 \times \varnothing$ pipe,
Or

* Min installing distance = Lmin + 2m + $5 \times \varnothing$, if vertical pipe from bend to BADA-VEX = $5 \times \varnothing$ pipe,

* Installation of BADA-VEX in vertical position must be done with vertical pipe of min $5 \times \varnothing$ pipe between bend and BADA-VEX.

Picture 16



11. Reminder of installation conditions of BADA-VEX in horizontal position :

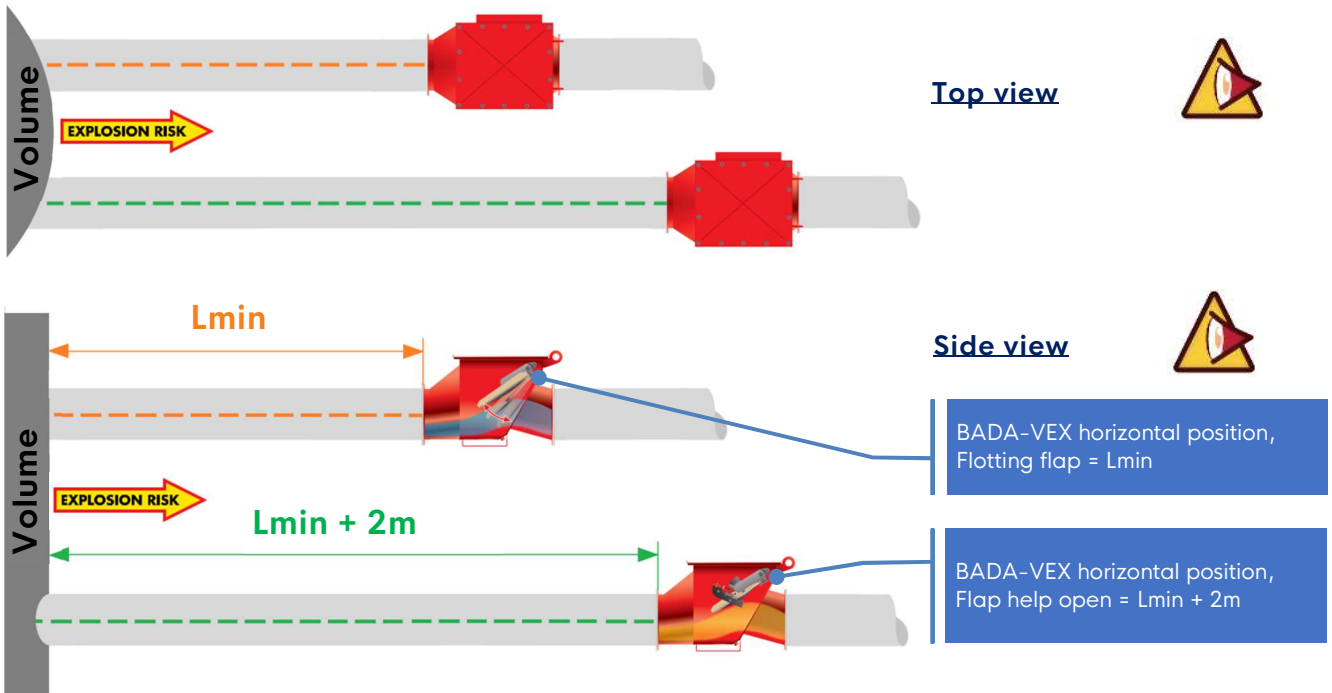
Lmin : In floating flap working, on straight horizontal pipe, without bend (picture 17, see TAB 1).

Lmin + 2m : Min distance between isolated vessel and BADA-VEX in at least one of following cases :

- Flap kept open by its spring system (pictures 17, 18, see TAB 1).
- Pipe with bend between isolated vessel and BADA-VEX, flap in horizontal position $\pm 10^\circ$ (see picture 18).

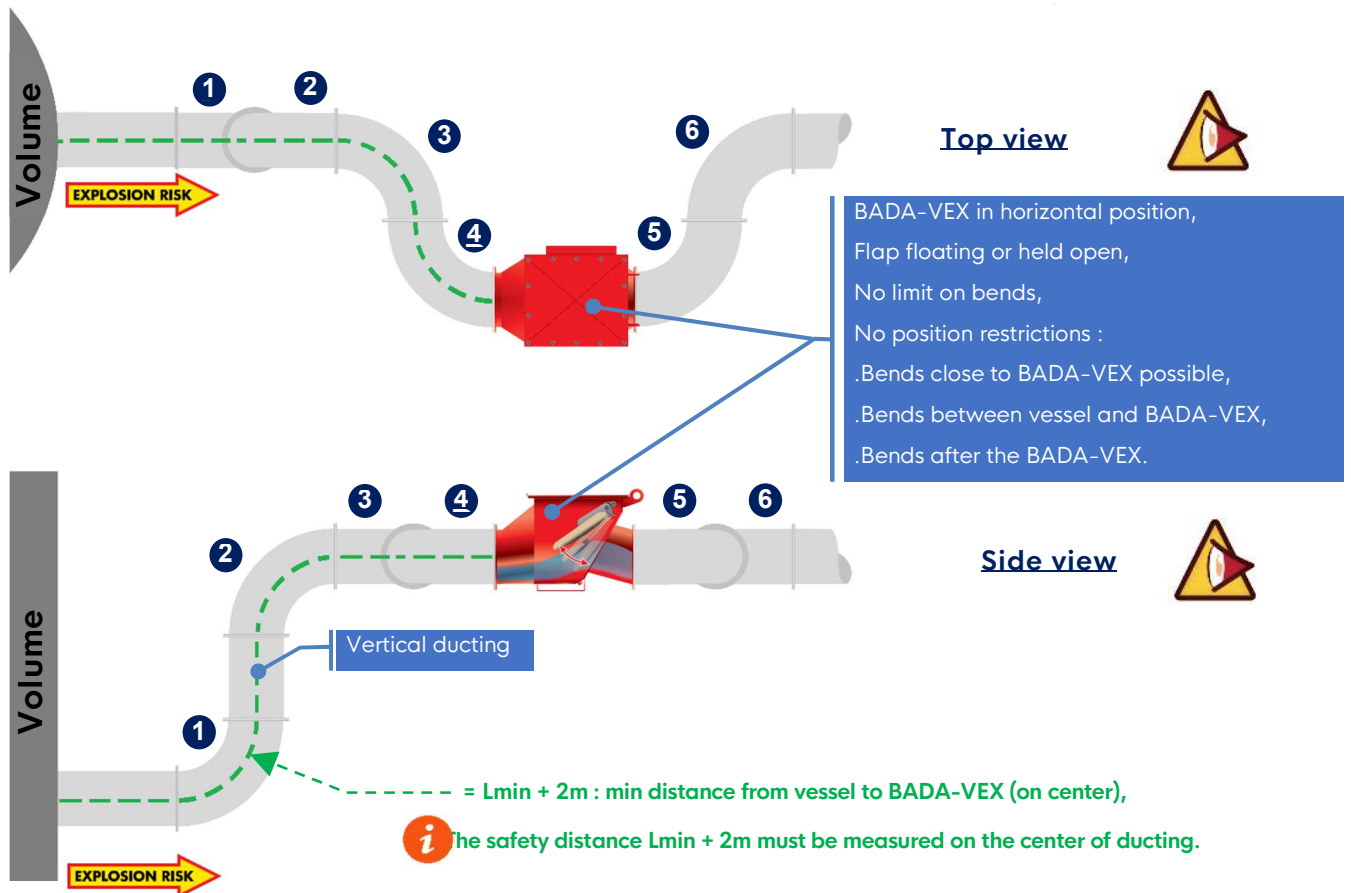
Picture 17

BADA-VEX in horizontal position, straight ducting



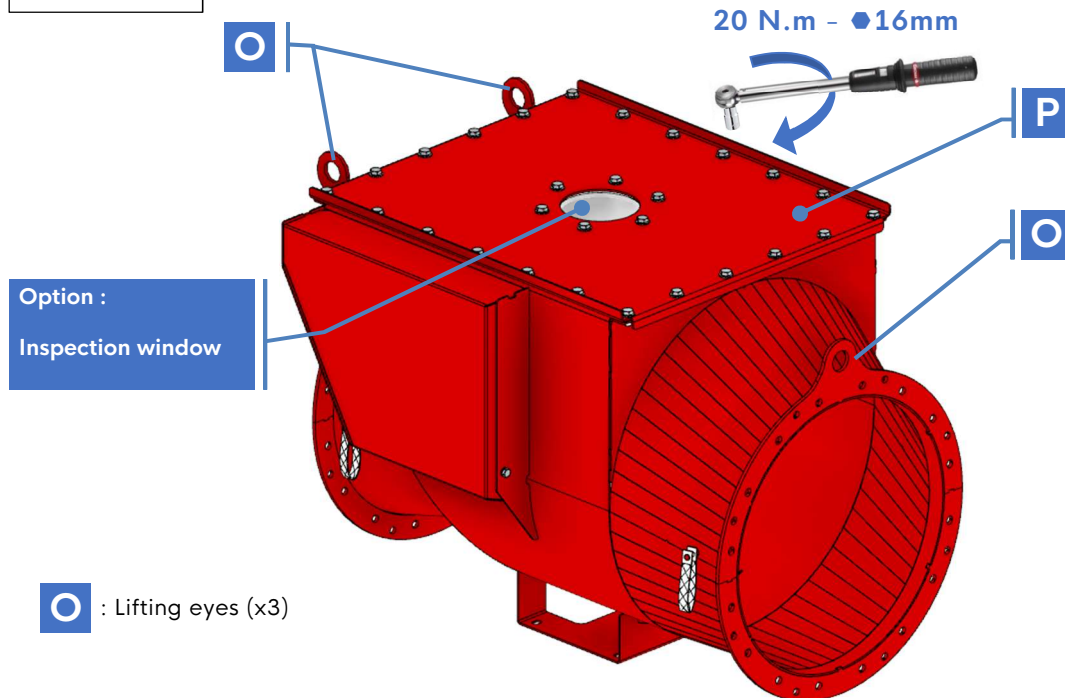
Picture 18

BADA-VEX in horizontal position, ducting with bends



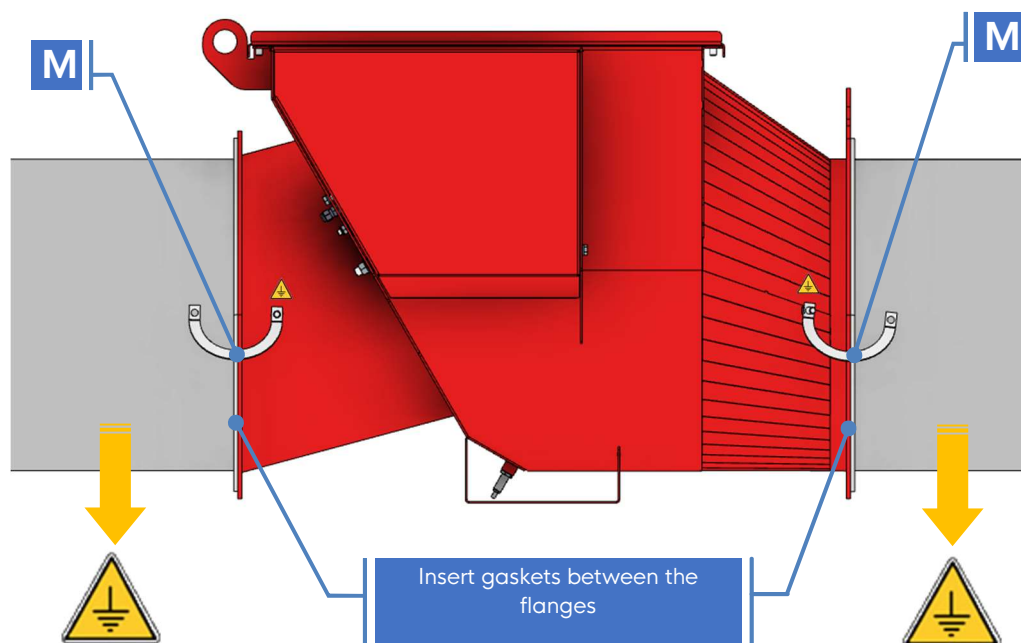
12. The inspection door is fixed during manufactory, after each maintenance operation, be sure to tighten all M10 bolts @ 20 Nm.

Picture 19



13. Connect both earthing straps ref. M from the BADA-VEX to the pipes on either side, upstream and downstream (Picture 20). Before starting to use the BADA-VEX, check electric continuity and that the earthing connection is efficient.

Picture 20

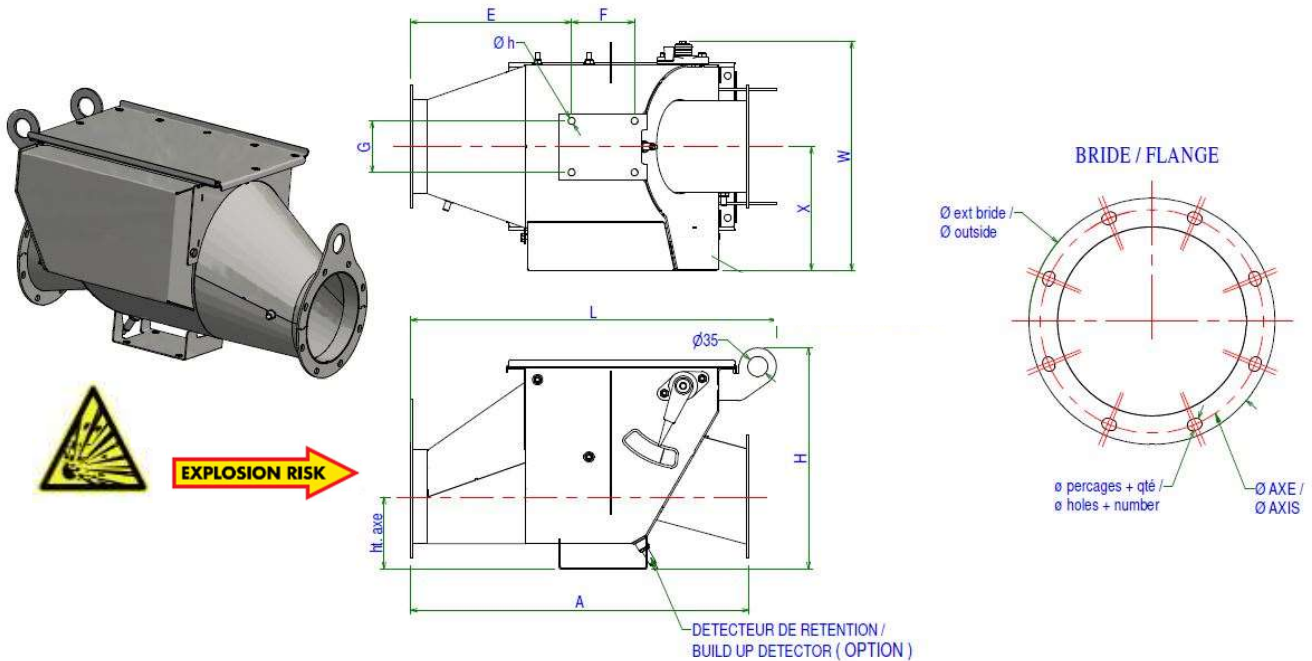


8. Overall dimensions (The list of models is not exhaustive)

The BADA-VEX is conceived on seven main body bases. The main bodies are indicated with an "x" in the tables TAB-4 and TAB-5, they are used for one or two other connected pipe diameter sizes.

The possible pipe diameter sizes are indicated in measure unit : metric (TAB-4) or imperial (TAB-5).

The BADA-VEX model is indicated according to the pipe size, example DN200.



8.1. BADA-VEX range in metric « DN » (TAB-4)


Ø BADA-VEX		Overall dimensions				Flange				Duct		Mounting support				Weight Kg	
Ducting DN	Body	L	H	W	X	Ø ext.	Ø axis	qty.	ø holes	A	Ht axis	E	F	G	Ø h holes		
		mm	mm	mm	mm	mm	mm		mm	mm	mm	mm	mm	mm	mm		
160	x	640	386	400	216	215	195	8	10	591	126	282	110	90	12	21	
180		612				235	215	8	10	531	136	254					20
200		857	466	490	261	255	235	12	10	857	138	325	160	140	12	35	
250	x	717				305	285	12	10	671	163	253					33
300		966	575	590	311	355	336	12	10	966	197	373	160	160	12	44	
350	x	817				415	389	12	12	776	222	302					50
400		1088	705	740	385	465	439	16	12	1089	249	431	180	260	12	81	
450	x	945				515	489	16	12	893	274	359					77
500		1197	815	840	434	565	540	16	12	1 199	309	441	200	300	12	106	
550	x	1045				615	590	16	12	996	334	369					104
600		1549	1038	992	508	665	640	16	12	1549	366	588	200	400	12	150	
650		1363				715	690	24	12	1364	391	517					150
700	x	1207				785	750	24	12	1155	416	446					150
750		1751	1213	1200	602	835	800	24	12	1752	443	514	400	500	12	285	
800	x	1563				885	850	24	12	1564	468	442					285

8.2. BADA-VEX range in imperial « DN » (TAB-5)

Ø BADA-VEX		Overall dimensions				Flange						Duct		Mounting support				Weight Kg	
Ducting DN	Body	L	H	W	X	Ø ext.	Ø axis	qty.	Ø holes		A	Ht axis	E	F	G	Ø h holes			
		mm	mm	mm	mm	mm	mm		inch	mm	inch	mm	mm	mm	mm	mm	mm		
6"	x	649	386	400	216	209	185,7	7- 5/16	6	7,1	9/32	628	120	291	110	90	12	21	
7"		616				238	215,9	8-1/2	6	9,5	3/8	559	133					258	20
8"		857	466	490	261	263	242,9	9- 9/16	6	9,5	3/8	857	138	325	160	140	12	35	
10"	x	717				327	300	11- 13/16	6	11,1	7/16	670	163					253	33
12"		966	575	590	311	384	355,6	14	8	11,1	7/16	965	197	373	160	160	12	50	
14"	x	817				435	406,4	16	8	11,1	7/16	776	222					302	50
16"		1089	705	740	385	486	457,2	18	8	11,1	7/16	1089	249	431	180	260	12	81	
18"	x	945				536	508	20	8	11,1	7/16	893	274					359	77
20"		1199	815	840	434	587	552,5	21- 3/4	12	11,1	7/16	1199	309	441	200	300	12	110	
22"	x	1039				638	603,3	23- 3/4	12	11,1	7/16	981	336					364	110
24"		1541	1038	992	508	689	657,2	25- 7/8	12	11,1	7/16	1538	368	582	200	400	12	178	
26"		1353				766	720,7	28- 3/8	16	11,1	7/16	1353	393					512	170
28"	x	1200				816	771,5	30- 3/8	16	11,1	7/16	1138	419					438	170
30"		1739	1213	1200	602	867	822,3	32- 3/8	16	11,1	7/16	1739	444	508	400	500	12	285	
32"	x	1548				918	873,1	34- 3/8	16	11,1	7/16	1545	470					435	285

9. Flap locking sensor (in closed position)

The BADA-VEX is equipped with an inductive sensor (external) which detects when the flap is locked in closed position (picture 21). It sends a signal to stop the installation when the sensor detects the target screw (ref. Q) in closed position (explosion is isolated).

 The BADA-VEX is equipped in standard execution with a non-ATEX detector version. Optionally, ATEX sensors are available for ATEX II2 D (zone 21).

Sensors have different sizes according to BADA-VEX size :

- Inductive sensor Ø12 for BADA-VEX DN≤350 (DN≤14")
- Inductive sensor Ø18 For BADA-VEX DN≥400 (DN≥16")

We advise combining the position sensor to a sound alarm, light alarm or process PLC to have information regarding the locking closed position of flap following an explosion accident or unusual running.

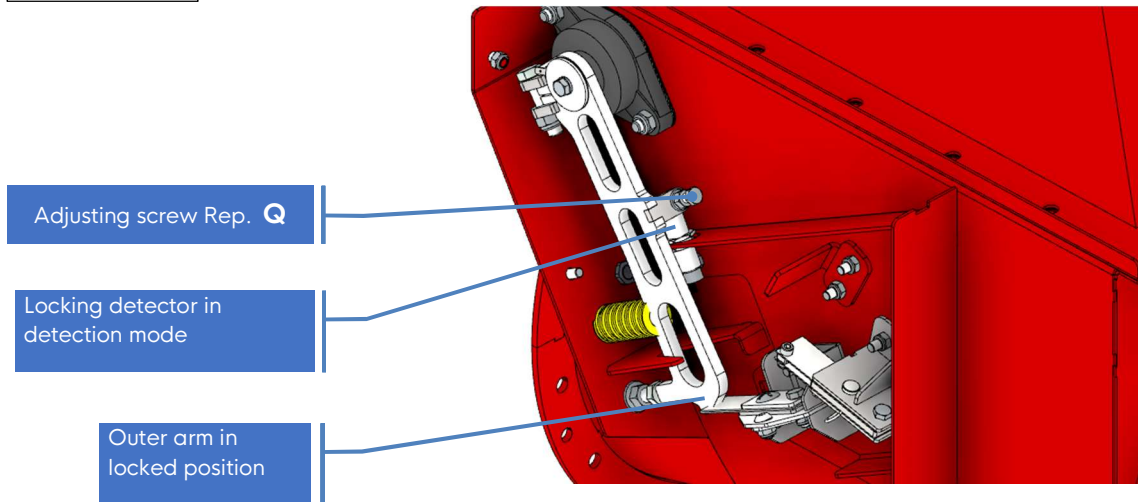


The sensor works in positive safety running, (NC switch) when the flap is not locked in closed position.



The sensor installations is set in the factory. In case of its replacement, you have to simulate the locked in closed position of outside arm in order to set the target screw (ref. Q) in front of the sensor in detection condition. You will have to adjust the length of the target screw (ref. Q) until the sensor status changes (switches off), then tighten the counter-nut to lock the setting.

Picture 21

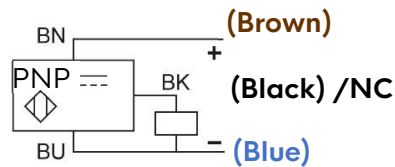


9.1. Inductive sensor Ø12 non-ATEX zone (DN≤350 - DN≤14") :

Supply voltage :	Ue 12...48 V DC
Switching current max :	Ie 200 mA
Degree of protection :	IP68
Output function :	NC
Output function kind :	PNP
Operation temperature :	-25°C<Ta<+70°C
Cable :	2m - 3 wires of 0.34 mm²
Indication LED :	Output indication 1 yellow LED



i Electric connecting sketch : +BN, -BU, Charge BK/BU

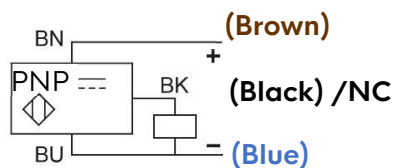


9.2. Optional : inductive sensor Ø12 for ATEX zone - Ex II 2 D (DN≤350 - DN≤14") :

Supply voltage :	Ue 12...48 V DC
Switching current max :	Ie 200 mA
Degree of protection :	IP68
Output function :	NC
Output function kind :	PNP
Operation temperature :	-20°C<Ta<+60°C
Cable :	10m - 3 wires of 0.34 mm²
Indication LED :	Output indication 1 yellow LED
ATEX marking :	II 2 D_Ex tb IIIC T90°C Db
ATEX/IECEX Certificate :	INERIS 04ATEX0022 / INE 17.0006



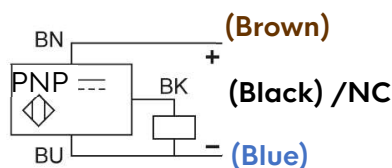
i Electric connecting sketch : +BN, -BU, Charge BK/BU



9.3. Inductive sensor Ø18 non-ATEX zone (DN≥400 - DN≥16") :

Supply voltage :	Ue 12...24 V DC
Switching current max :	Ie 200 mA
Degree of protection :	IP67
Output function :	NC
Output function kind :	PNP
Operation temperature :	-25°C<Ta<+70°C
Cable :	2m - 3 wires of 0.14 mm ²
Indication LED :	Output indication 1 yellow LED

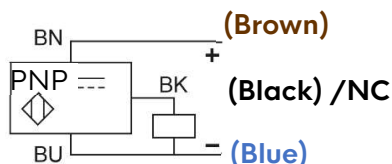
i Electric connecting sketch : +BN, -BU, Charge BK/BU



9.4. Optional : inductive sensor Ø18 for ATEX zone - II 2 D (DN≥400 - DN≥16") :

Supply voltage :	Ue 12...48 V DC
Switching current max :	Ie 200 mA
Degree of protection :	IP68
Output function :	NC
Output function kind :	PNP
Operation temperature :	-20°C<Ta<+60°C
Cable :	10m - 3 wires of 0.34 mm ²
Indication LED :	Output indication 1 yellow LED
ATEX marking :	II 2 D_Exp tb IIIC T90°C Db
ATEX/IECEX Certificate :	INERIS 04ATEX0022 / INE 17.0006

i Electric connecting sketch : +BN, -BU, Charge BK/BU



10. Dust build-up sensor

BADA-VEX can optionally be equipped with a capacitive sensor and/or inspection window which allows to check accumulation of dust in the isolated zone of flap, for BADA-VEX installed in horizontal or vertical position.

This option provides additional indication of dust build-up which can prevent the efficient closure of the flap during an explosion occurrence (pictures 22 and 23).

In standard version, the BADA-VEX is equipped with 2 brass caps ref. R which are tightened at 20 Nm. These caps are designed to close the threaded holes when the capacitive sensor is not in place (picture 22).

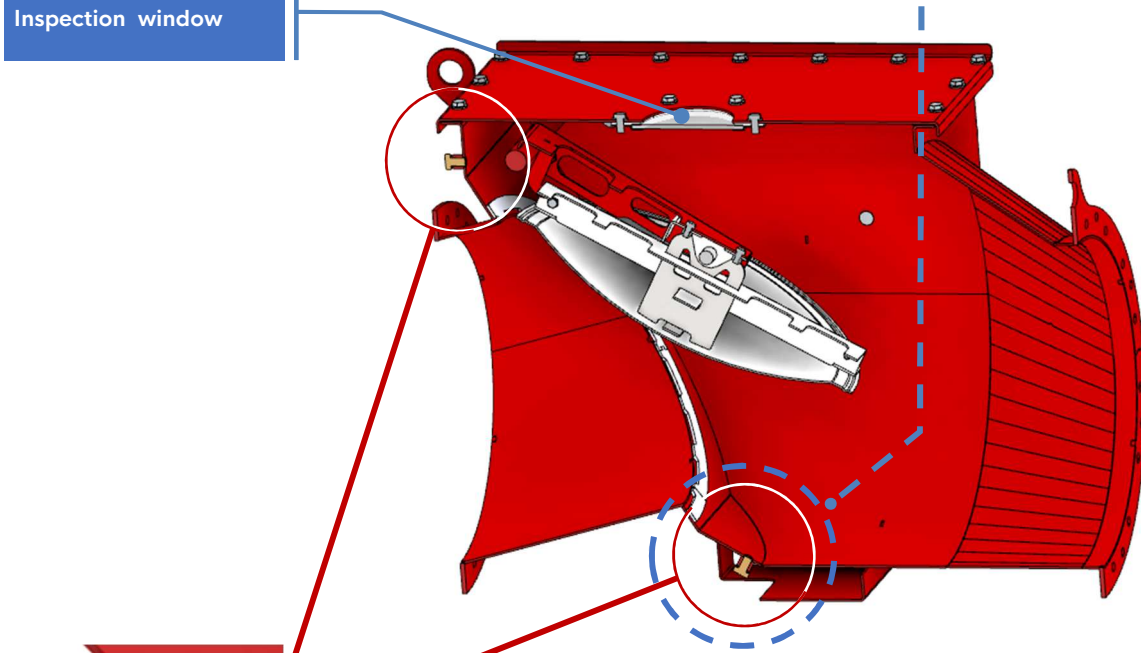
Picture 22

Placing the capacitive sensor on a BADA-VEX installed in position :

HORIZONTAL

Option :

Inspection window



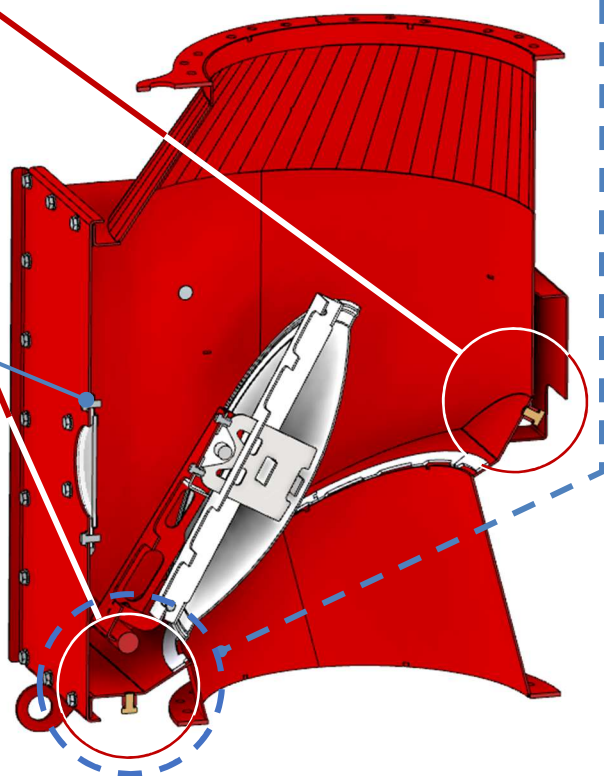
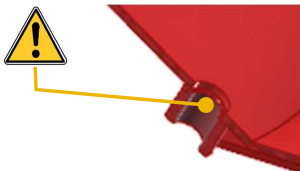
Placing the capacitive sensor on a BADA-VEX installed in position :

VERTICAL

R

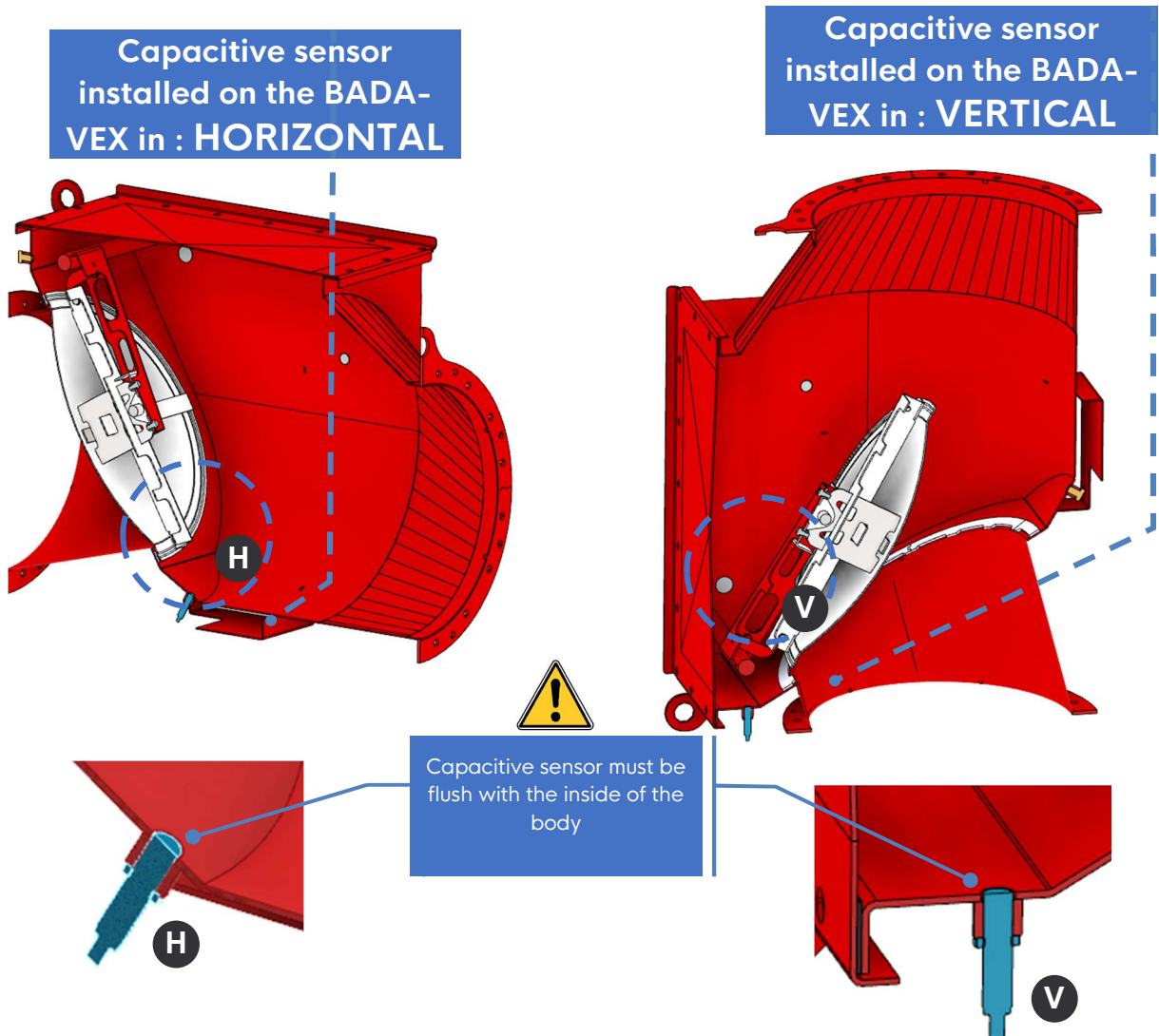
Option :

Inspection window



Never use BADA-VEX if the threaded holes are not obstructed either by the brass cap ref. R or by the capacitive sensor $\varnothing 12$. Never use BADA-VEX if the inspection window is damaged or missing (if this option is present).

Picture 23

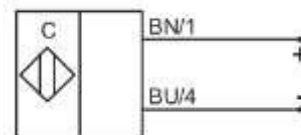


10.1. Capacitive sensor Ø12 for ATEX zone - Ex II 1 D :

Output function kind :	NAMUR DIN 60947-5-6
Supply voltage :	UB 5 - 15 V DC, $U_i = 15 \text{ V DC}$
Switching current out of detection :	$\leq 1,5 \text{ mA}$
Switching current during detection :	$\geq 2,5 \text{ mA}$
Degree of protection :	IP67
Indication LED :	Yellow
Operation temperature :	$-20^\circ\text{C} < T_a < +70^\circ\text{C}$
Cable :	2m - 2 wires of $0,14 \text{ mm}^2$
ATEX marking :	II 1 D_Ex ia IIIC T101°C Da
ATEX/IECEX Certificate :	DMT 03 ATEX E 048 / BVS 07.0031




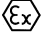
i Electric connecting sketch : +BN, -BU, Charge BK/BU



Namur sensors have to be used with switch amplifier approved for intrinsic mode according to EN 60079-11: 2012.

11. ATEX marking

ATEX marking is according to the requirement of ATEX European regulation 2014/34/UE.

 The marking  II D on the label indicate that the BADA-VEX is a protected device for dust explosive atmosphere.

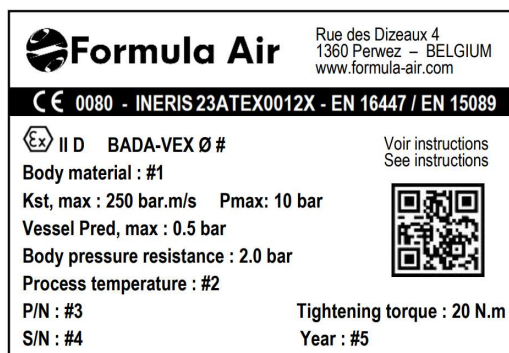
11.1. Certification features :


- 0080 Notified body number of supervision, INERIS
- INERIS 23ATEX0012X Certificate number delivered by INERIS
- EN 16447 : 2014 European standard – Explosion isolation flaps
- EN 15089 : 2009 European standard – Explosion isolation systems

11.2. Scope of the standards present on product marking :

- **EN 16447** for the installation of the floating flap valve or kept open by the mechanical system which protects against the propagation of an explosion in the direction opposite to the flow (Loaded air).
- **EN 15089** for the installation of the flap-valve kept open by a mechanical system which protects against explosion propagation in the direction of flow (Clean air).

11.3. Marking example :



1)  II D	Protected device for ATEX dust types
2) BADA-VEX Ø250	Valve model and pipe connection size
3) Body material	Body raw material (example : painted steel)
4) Kst max	Max. explosion speed level of the dust (bar.m/s)
5) Pmax	Max. explosion pressure of the dust in a closed vessel (bar)
6) Vessel Pred,max	Max. explosion reduced pressure in the vessel (bar)
7) Body pressure resistance	Pressure resistance of the BADA-VEX body (bar)
8) Process temperature	Working temperature range (C°)
9) P/N	FORMULA AIR article code reference
10) S/N	Serial number of the device
11) Year	Production year of the device
12) 20 N.m	Bolt tightening torque of the access door

12. Aeraulic pressure loss

The pressure drop (ΔP) is different depending on whether the BADA-VEX is installed on the loaded air side (TAB-6) with a valve kept open or on the loaded air side (TAB-7) with a floating valve or on the filtered clean air side (TAB-8).

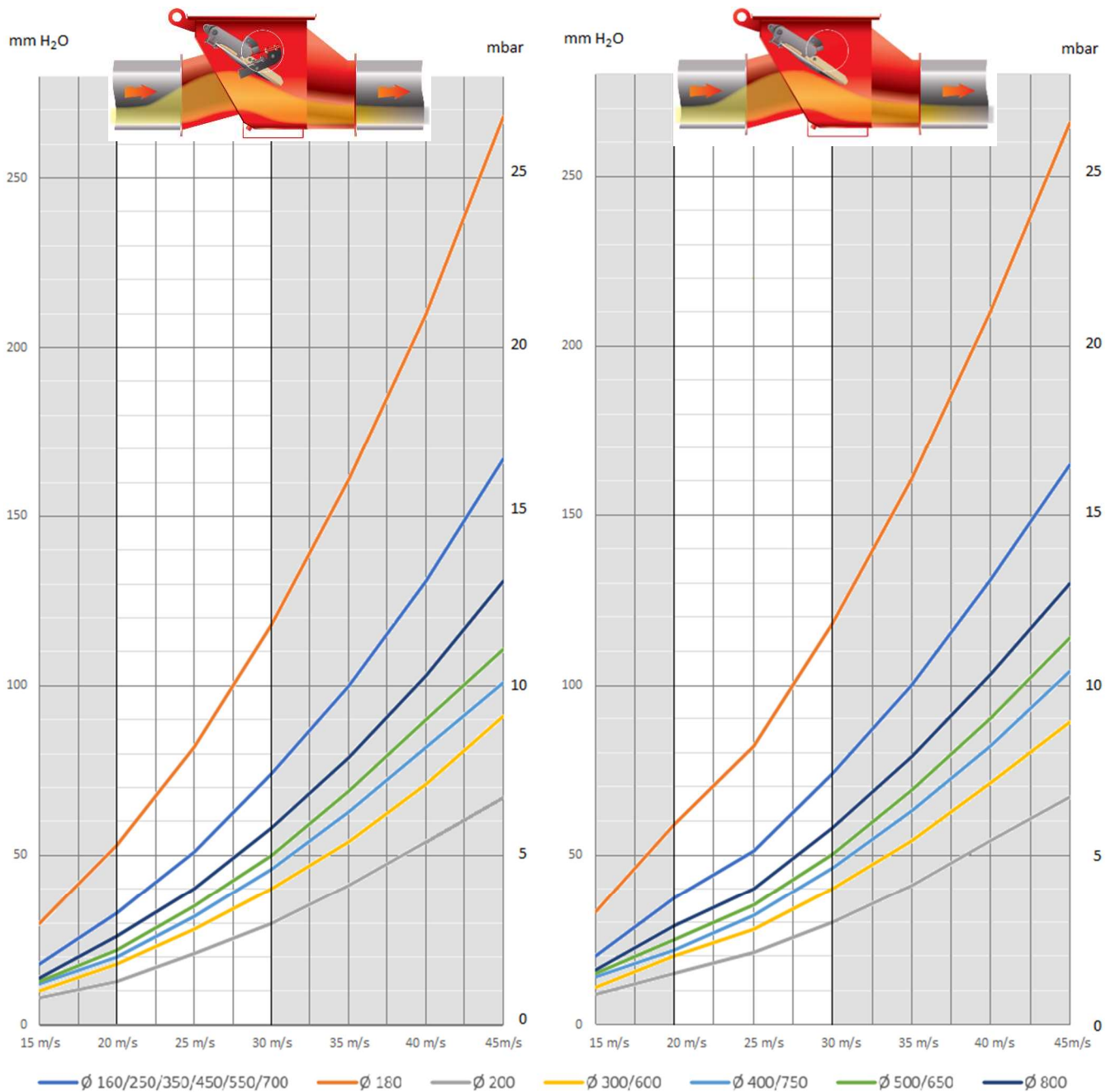
Loaded air : (TAB-6) (TAB-7)
 The total airflow velocity range is 15 m/s (3000 ft/min) to 45 m/s (9000 ft/min).
 The recommended airflow speed range is 20 m/s (4000 ft/min) to 30 m/s (6000 ft/min).

Clean air : (TAB-8)
 The values are available on the airflow range from 15 m/s (3000 ft/min) to 30 m/s (6000 ft/min).

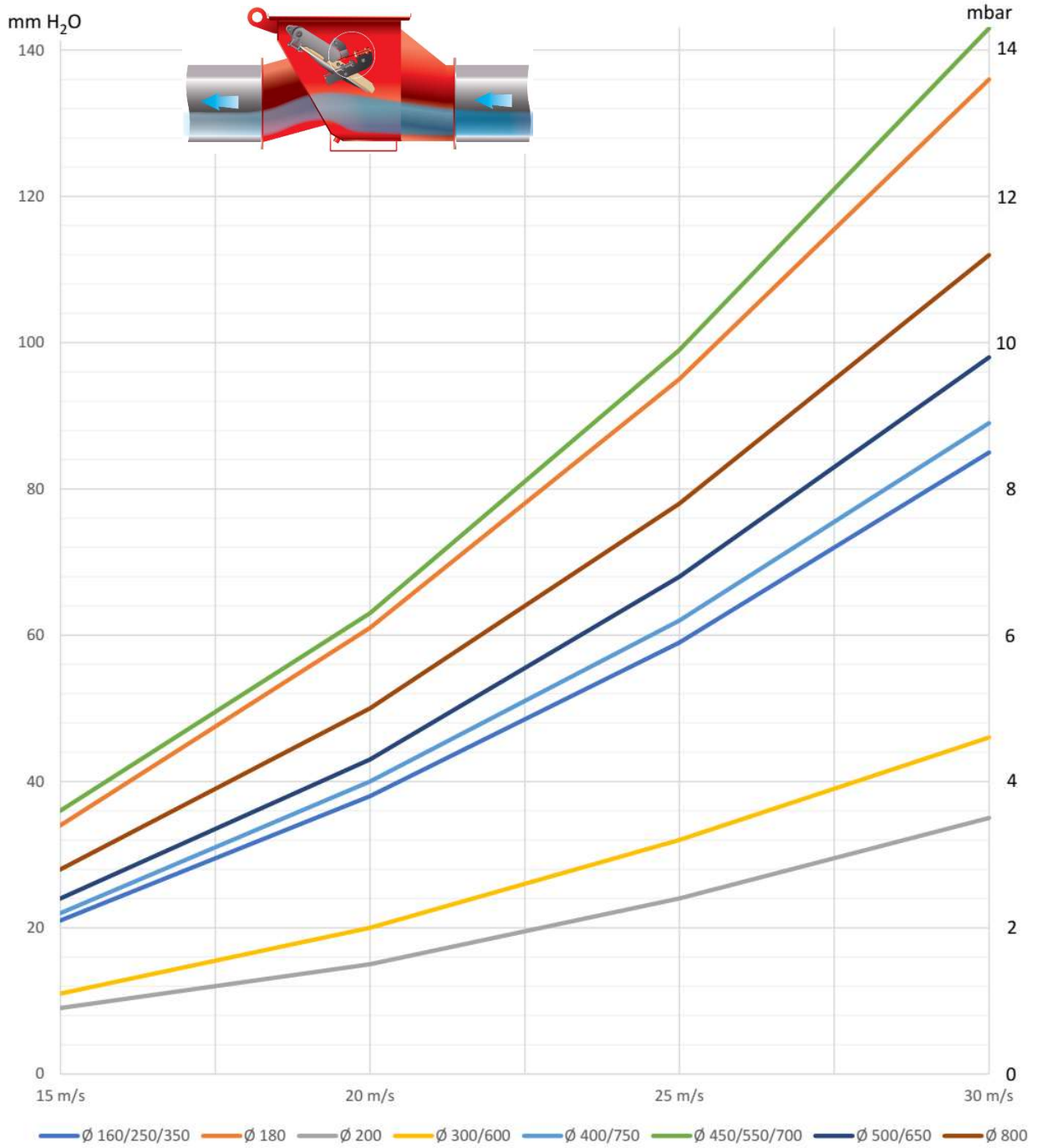
12.1. Pressure loss graphs

Loaded air side: air + dust, Flap kept open (TAB-6) :

Loaded air side: air + dust, Floating flap (TAB-7) :



Clean air side, filtered (TAB-8)



12.2. Pressure loss values (in mm H₂O /inch Wg) measured at 20 m/s (4000 ft/min) (TAB-8).

BADA-VEX DN	160 6"	180 7"	200 8"	250 10"	300 12"	350 14"	400 16"	450 18"	500 20"	550 22"	600 24"	650 26"	700 28"	750 30"	800 32"
Air + dust Flap held open	33	53	13	33	18	33	20	33	22	33	18	22	33	20	26
Air + dust Floating flap	37	59	15	37	20	37	22	37	25	37	20	25	37	22	29
Clean air Flap help open	38	61	15	38	20	38	40	63	43	63	20	43	63	40	50


13. Maintenance operations and periodic inspections

13.1. Standard requirements :

According to EN16447 and EN15089 regulations, specific periodic inspections have to be planned to ensure that the BADA-VEX maintains its efficient isolation function against explosion propagations at all times.

From these inspections, you must check that the BADA-VEX maintains its high safety level, for example from corrosive defect, abrasive effect, dust build up in the flap gasket zone, etc.

Periodic inspection frequency needs to be regular enough to avoid dangerous situations or degradation (cases of higher risk of bad BADA-VEX operation).

-  To define the periodic inspection frequency, we advise to wait a short time between the first inspections when you start the BADA-VEX to clearly define the necessary time between inspection operations, following installation and BADA-VEX condition evolution. The time between 2 inspection operations cannot be more than 1 year. Adjust it following of the BADA-VEX status.

Only trained and entitled workers in maintenance procedures for ATEX equipment are authorized to carry out periodic inspections of the BADA-VEX. Periodic inspection results must be recorded in a register.



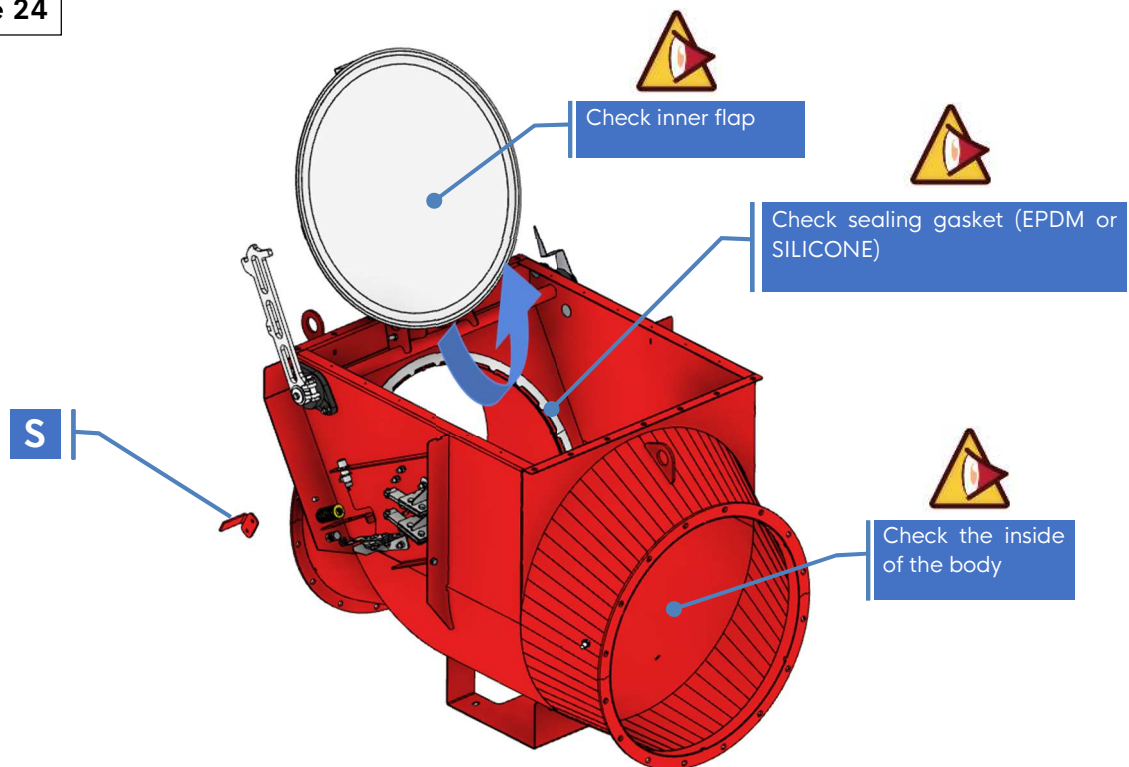
Before starting inspection or maintenance operations on the BADA-VEX, you must secure the zone, you especially have to check and be sure that the airflow is switch off and that it is impossible to inadvertently set it into operation.

13.2. Periodic inspection operations :

Start to take off the side safety cover and the top access door.

Then, take off the top stop piece ref. S of the external arm of the flap and turn the moving parts towards the top, outside of the BADA-VEX body (picture 24).

Picture 24



13.3. Check all following points (TAB-9):

Inspection	Checking zone	Observed defect	Maintenance
Dust build-up	Inside the body	Presence of a dust layer >1mm (0.04")	Clean the dirty zones
Abrasive effect	Flap	High abrasive damage ◊	Replace the flap *
	Inside the body	High abrasive damage ◊	Replace the BADA-VEX *
Airtightness	Flap gasket	Gasket distortion	Replace the gasket according to original material *
	Top access door gasket		
Corrosive effect	Inside and outside the BADA-VEX	High corrosive damage ◊	Replace the BADA-VEX *
Chock	Inside and outside the BADA-VEX	High body distortion	Replace the BADA-VEX *
	Flap	Flap distortion	Replace the flap *
Functioning	Mobile parts	Abnormal stress on the shaft rotation	Replace the BADA-VEX *
Lock in closed position	Locking system	Locking spring strip missing	Return the device to Formula Air to do manufacture maintenance
		Damage on the locking system	
Earthing	Earthing strap fixing	Equipotential link interruption	Tighten the fixing points of the earthing straps
Pipe connection	Fixing bolts (pipe flanges)	Defect of bolt tightening	Check the bolt tightening according to advised torque, see TAB-3
Locking signal	Locking position sensor	The sensor don't switch off when the flap is locked in closed position	Set up the gap with target $\leq 2\text{mm}$
			Replace the sensor (same item) *
Bottom sleeve hole	Under the flap	Brass cap lack or capacitive dust build-up sensor missing	Put the capacitive sensor or the brass cap *

◊ Wear over 15% of original thickness is considered as high level. Replace the defective device.

* Only replace the components by original BADA-VEX spares.



For all other maintenance operations, you have to send request to Formula Air technical staff.

After inspection and/or maintenance operation, all mobile components need to be placed back in the initial position (floating flap § picture 7 or flap keep in opened position § picture 8).

The top stop piece ref. S must absolutely be put back in place. The top access door must be closed and tightened according to advice torque (20 Nm) and the side protected cover of the mechanism has to be in place before restarting.



The device may not be put back in service if the top stop piece ref. S is not in place.

13.4. Procedure in case of an explosion :

After an explosion, the BADA-VEX mechanism can be damaged, in case of the shock violence (welding crack, flap surface distortion...). For this reason, we recommend replacing the entire BADA-VEX with a new one.

14. Dismantling and recycling

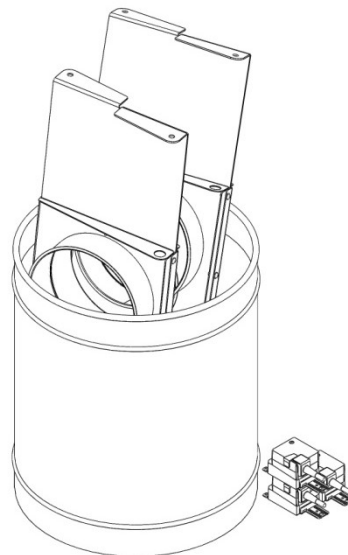
When dismantling a unit, be sure to keep in mind the following important information :

- As the unit is dismantled, set aside all still functioning parts to re-use them on another unit.
- You should always separate the different materials depending on their type: iron, rubber, oils, greases, etc.
- Recyclable parts must be disposed of in the appropriate containers or brought to a local recycling company.
-

The rubbish must be collected in special containers with appropriate labels and disposed of in compliance with the national laws and/or local legislations in force.

CAUTION !

It is strictly forbidden to dispose of toxic wastes in municipal sewerage and drain systems. This concerns all oils, greases, and other toxic materials in liquid or solid form.



15. Maintenance log

date	description



Contacts

Formula Air The Netherlands

Head Office / Production / Sales

Bossheweg 36
5741 SX Beek en Donk,
The Netherlands
+31 492 45 15 45
info-nl@formula-air.com

Formula Air Belgium

Logistics / Sales

Rue des Dizeaux 4
1360 Perwez
Belgium
+32 81 23 45 71
info-be@formula-air.com

Formula Air Baltic

Production / Sales

P. Motiekaičio g. 3
LT-77104 Šiauliai
Lithuania
+370 41 54 04 82
info-lt@formula-air.com

Formula Air France – West

Sales

6, avenue des Lions
44800 Saint-Herblain
France
+33 9 72 15 29 38
contact-ouest@formula-air.com

Formula Air France – North

Sales

Zac de la Carrière Dorée
BP 105, 59310 Orchies
France
+33 9 72 15 29 38
contact-fr@formula-air.com

Formula Air France – East

Sales

2 Rue Porcherie
38460 Cremieu
France
+33 9 72 15 29 38
contact-est@formula-air.com

Formula Air France – South

Sales

Chemin de Peyrecave
09600 Regat
France
+33 9 72 15 29 38
contact-sud@formula-air.com

Formula Air Germany

Sales

Dr.-Oetker Straße 10
54516 Wittlich
Germany
+49 6571 269860
info-de@formula-air.com

Formula Air Vietnam

Production / Sales

#33, Lot 2, Den Lu 1
Hoang Mai District, Hanoi
Vietnam
+84 (24) 38 62 68 01
info@vinaduct.com

Formula Air Nordic

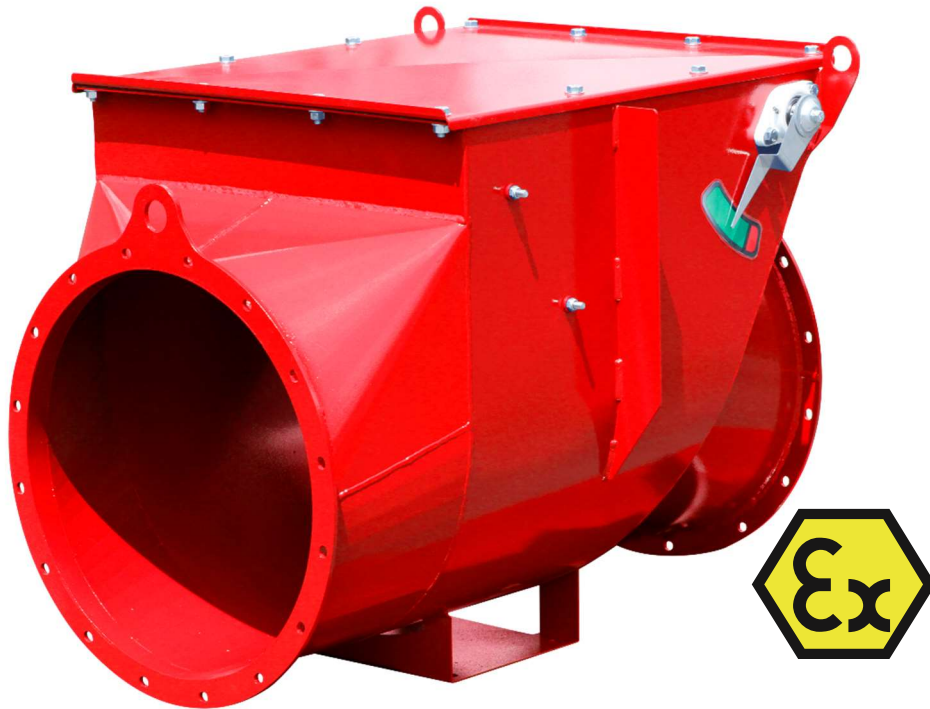
Sales

Stortorget 17
211 22 Malmö
Sweden
+46 40 654 06 10
info-scan@formula-air.com

Formula Air Export

Sales

Rue des Dizeaux 4
1360 Perwez
Belgium
+32 81 23 45 71
info-be@formula-air.com




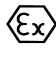

BADA-VEX

Clapet anti-retour ATEX

Manuel de maintenance (FR)

V1.2-2023

Table des matières

1.	Introduction	36
2.	Préambule	36
3.	Informations concernant la sécurité.....	36
4.	Normes et certificats.....	37
4.1.	La gamme BADA-VEX est conforme aux normes suivantes :	37
4.2.	Production conforme aux normes de qualité :	37
4.3.	Conformité aux normes complémentaires :	37
5.	Caractéristiques d'exploitation	37
5.1.	Gamme BADA-VEX : DN 160 – DN 800 (DN 6" à DN 32").....	37
5.2.	Flux d'air de travail : Flux d'air en aspiration (Pull flow).....	37
5.3.	Caractéristiques d'installation (TAB-1):	38
6.	Fonctionnement du BADA-VEX	39
6.1.	Règles du flux d'air	39
6.2.	Direction du risque d'explosion :.....	39
6.3.	Modes de fonctionnement du BADA-VEX :.....	40
6.4.	Réglage du mode de fonctionnement :.....	41
6.4.1	Mode flottant:.....	41
6.4.2	Mode maintenu ouvert:	42
6.4.3	Indicateur de position du clapet en position ouvert :.....	44
6.4.4	Position du clapet au repos (mode flottant uniquement) :	44
6.4.5	Indicateur de position du clapet au repos :.....	45
6.4.6	Verrouillage du clapet en position d'isolation :	45
6.4.7	Indicateur de position du clapet verrouillé :	46
7.	Installation du BADA-VEX.....	46
7.1.	Règles d'installation du BADA-VEX :	46
8.	Dimensions globales (la liste des modèles est non exhaustive).....	51
8.1.	Gamme BADA-VEX « DN » métrique (TAB-4).....	51
8.2.	Gamme BADA-VEX « DN » impérial (TAB-5).....	52
9.	Détecteur de position du clapet fermé	52
9.1.	Détecteur de position standard Ø12 hors zone ATEX (DN≤350 - DN≤14"):.....	53
9.2.	Détecteur de position en option Ø12 pour zone ATEX -  II 2 D (DN≤350 - DN≤14"):	53
9.3.	Détecteur de position standard Ø18 hors zone ATEX (DN≥400 - DN≥16"):.....	54
9.4.	Détecteur de position en option Ø18 pour zone ATEX -  II 2 D (DN≥400 - DN≥16"):.....	54
10.	Détecteur d'accumulation de poussière.....	54
10.1.	Détecteur capacitif Ø12 pour zone ATEX -  II 1 D:	56
11.	Marquage ATEX	57
11.1.	Caractéristiques de certification :.....	57
11.2.	Champ d'application des normes présentes sur le marquage produit :	57
11.3.	Exemple de marquage :	57
12.	Pertes de charge aéraulique.....	58

12.1.	Valeur de perte de charge (en mm H ₂ O) mesurée à 20 m/s (TAB-9).....	59
13.	Contrôle et maintenance périodique.....	60
13.1.	Obligations normatives :.....	60
13.2.	Opérations d'inspections périodiques :.....	60
13.3.	Procéder à l'inspection des points suivants (TAB-10):.....	61
13.4.	Procédure en cas d'explosion :.....	62
14.	Démantèlement et recyclage.....	62
15.	Carnet de maintenance.....	63
	Contacts.....	64

1. Introduction

Ce manuel ne peut être reproduit, même partiellement, sans l'autorisation écrite préalable de Formula Air Group. Chaque étape de la gamme de clapet anti-retour ATEX a été analysée en profondeur par Formula Air Group dans le domaine attendu lors de la conception, de la construction et de la création du manuel d'utilisation. Cependant, il est entendu que rien ne peut remplacer l'expérience, la formation et le bon sens des professionnels qui travaillent avec l'appareil.

Ignorer les mises en garde et les avertissements du présent manuel d'utilisation, utiliser de manière inappropriée des pièces ou l'ensemble de l'appareil fourni, utiliser des pièces de rechange non autorisées, manipuler l'appareil par du personnel non qualifié, violation de toute norme de sécurité concernant la conception, la construction et l'utilisation attendue par le fournisseur, exonérer Formula Air Group de toute responsabilité en cas de dommages aux personnes ou aux biens.

Formula Air Group décline toute responsabilité en cas de non-respect par l'utilisateur des mesures de sécurité préventives présentées dans ce manuel d'utilisation.

Le non-respect des exigences du manuel d'utilisation ou l'utilisation incorrecte du clapet anti-retour ATEX pendant le fonctionnement peut entraîner l'endommagement du clapet anti-retour ATEX et un mauvais fonctionnement du clapet anti-retour ATEX lui-même. Cela entraînera la résiliation de la garantie sur l'article et dégage le fabricant de toute responsabilité.

Certification

La gamme de clapets anti-retour BADA-VEX est conforme à la norme ATEX EN16447 & EN15089.

Garantie

Concernant la garantie de l'appareil, voir les conditions générales de vente.

Attention

Tous les dessins et références contenus dans ce manuel d'utilisation sont non contractuels et peuvent être modifiés sans préavis à la discrétion de Formula Air Group et de ses partenaires.

Copyright © Formula Air.

2. Préambule

Avant de procéder à l'installation, veuillez lire attentivement les instructions suivantes.

Avertissement :



Toutes les instructions décrites dans ce manuel doivent être parfaitement comprises et suivies scrupuleusement afin de garantir le bon fonctionnement du clapet anti-retour ATEX BADA-VEX. En cas de question, concernant par exemple une installation spécifique, nous vous invitons à contacter FORMULA AIR.

3. Informations concernant la sécurité

Le BADA-VEX est un dispositif de protection pour zone ATEX poussière (EX II D). L'exploitant du site doit à ce titre appliquer les exigences de la Directive 1999/92/CE afin de coordonner la bonne mise en œuvre de ce matériel. Il faut notamment que le personnel soit habilité aux signalisations et aux consignes de sécurité à appliquer afin de garantir la sécurité des personnes et des biens.



Précautions d'exploitations des clapets anti-retour BADA-VEX selon la NF EN 16447. La vanne à clapet d'isolation d'explosion ne doit pas être utilisée ni dans le cas d'explosions de substances indiquées ci-dessous, ni pour les explosions de mélanges contenant certaines de ces substances :

- e) gaz, vapeurs et mélanges hybrides ;
- f) substances chimiquement instables ;
- g) substances explosives ;
- h) substances pyrotechniques.



La distance d'installation minimale ou maximale en rapport avec le volume de l'enceinte d'où peut provenir l'explosion de poussière (L_{min} ou L_{max}) doit être respectée pour garantir l'isolation du BADA-VEX en cas d'explosion.

L'enceinte à isoler par un BADA-VEX doit être protégée :

- Soit par système de décharge d'explosion (panneau d'évent, sans flamme),
- Soit par système antidéflagrant.



Le BADA-VEX est prévu pour isoler une enceinte dont la résistance est ≤ 0.5 bar (Pred). Dans le cas où la résistance de celle-ci serait supérieure, il faut dimensionner le système de décharge de manière à utiliser une pression réduite d'explosion dans l'enceinte ≤ 0.5 bar. De même que la tuyauterie installée entre le BADA-VEX et l'enceinte à isoler doit avoir une résistance de 2 bars (identique au BADA-VEX).



Ne pas utiliser le BADA-VEX comme moyen pour soutenir la tuyauterie installée en amont et aval de celui-ci, ni de le soumettre à de forte vibration de manière à préserver son intégrité d'isolation en cas d'explosion.



Garantir la continuité électrique de l'installation (mise à la terre) en raccordant les tresses de masse du BADA-VEX sur les tuyauteries installées en amont et aval.

4. Normes et certificats

4.1. La gamme BADA-VEX est conforme aux normes suivantes :

- | | |
|-------------------|--|
| • 2014/34/UE | Directive ATEX |
| • EN 16447 : 2014 | Vanne à clapet d'isolation d'explosion |
| • EN 15089 : 2009 | Systèmes d'isolement d'explosion |
| • EN 1127-1 :2019 | Prévention de l'explosion — Partie 1 |
| • EN 14460 : 2018 | Appareil résistant à l'explosion |



4.2. Production conforme aux normes de qualité :

- | | |
|----------------------|---|
| • 0080 | N° de l'Organisme Notifié chargé du contrôle (INERIS) |
| • INERIS 23ATEX0012X | N° d'Attestation UE de l'Organisme Notifié (IN |



4.3. Conformité aux normes complémentaires :

- | | |
|------------------|---------------------------------------|
| • NFPA 69 : 2019 | Systèmes de prévention anti-explosion |
|------------------|---------------------------------------|



5. Caractéristiques d'exploitation

Le BADA-VEX est un dispositif de protection ATEX équipé d'un clapet mobile qui sous l'effet d'une surpression d'explosion se ferme et reste verrouillé empêchant la propagation de la flamme par la tuyauterie ou les canalisations dans d'autres parties d'une installation (collecteurs de poussière, filtres, cyclones...).

Le BADA-VEX est certifié pour protéger les installations fonctionnant soit en flux d'air par aspiration (Pull flow), soit en flux d'air par pression (Push flow).

Le BADA-VEX isole la tuyauterie de la propagation d'une explosion, soit d'une part, lorsque l'explosion se propage dans la direction opposée à celle du flux d'air chargé de poussière (exemple : voir figure 1, page 7 ; "position A"), soit d'autre part, lorsque l'explosion se propage dans la même direction que celle du flux d'air filtré (exemple : voir figure 2, page 7 ; "position D"). Dans le deuxième cas, cela oblige d'utiliser le BADA-VEX avec son dispositif de maintien du clapet ouvert.




Les limites d'exploitation de la gamme BADA-VEX garantissant la sécurité des personnes, des appareils et des installations. Le respect de ces limites reste de la responsabilité de l'entreprise qui l'exploite.

5.1. Gamme BADA-VEX : DN 160 – DN 800 (DN 6" à DN 32")

5.2. Flux d'air de travail : Flux d'air en aspiration (Pull flow)
Flux d'air en pression (Push flow)

- Coudes autorisés en amont et en aval du BADA-VEX sans restriction de quantité, ni de position.
- Installation en position verticale (voir figure 15 et 16).

Kst,max	≤250 bar.m/s	Pred,max *	≤ 0.5 bar	Vitesse d'écoulement	Côté air propre : ≤ 30 m/s Côté air sale : ≤ 45 m/s
Kst,min	Pas de limite	Résistance du BADA-VEX	2.0 bar	Utilisation	Circuit air + poussières Circuit air propre
Pmax	10 bars	Marque ATEX	 II D	Flux d'air du procès	Aspiration : Pull flow Pression : Push flow
EMI (MIE)	≥ 10 mJ	ATEX intérieure	Zone 20 (II 1 D)	Circuit en pression	500 mbar max
TMI (MIT)	≥ 400°C	Poussière**	Tous types de poussières	Circuit en dépression	- 800 mbar max
IEMS (MESG)	1.7 mm	Concentration de poussières	Pas de limite	Nombre de coudes	Pas de limite

* Enceinte (source potentielle d'explosion)

** Poussières organiques, synthétiques ou métalliques dans les limites définies ci-dessus.

Température de service	
Standard : joint de clapet en EPDM	-30°C à +70°C / -22°F à 158°F
Option : joint de clapet en SILICONE	-10°C à +180°C*** / 14°F à 356°F***

*** Attention avec un détecteur standard, la température de service est limitée à 70°C / 158°F. Option disponible jusqu'à 150°C / 302°F uniquement pour le détecteur de verrouillage.

5.3. Caractéristiques d'installation (TAB-1):

DN	Vmin	Lmin	Lmin +2m	Lmax
Ø160 (6")	0,70 m³	4,0 m	6,0 m	17 m
Ø160 (6")	1,35 m³	3,0 m	5,0 m	17 m
Ø180 (7")	0,70 m³	4,0 m	6,0 m	17 m
Ø180 (7")	1,35 m³	3,0 m	5,0 m	17 m
Ø200 (8")	1,35 m³	4,6 m	6,6 m	17 m
Ø250 (10")	1,35 m³	4,0 m	6,0 m	17 m
Ø300 (12")	2,90 m³	4,6 m	6,6 m	17 m
Ø350 (14")	2,90 m³	4,2 m	6,2 m	17 m
Ø400 (16")	4,50 m³	5,2 m	7,2 m	17 m
Ø450 (18")	4,50 m³	4,7 m	6,7 m	17 m
Ø500 (20")	6,05 m³	5,8 m	7,8 m	17 m
Ø550 (22")	6,05 m³	5,5 m	7,5 m	17 m
Ø600 (24")	7,65 m³	7,2 m	9,2 m	17 m
Ø650 (26")	7,65 m³	6,7 m	8,7 m	17 m
Ø700 (28")	7,65 m³	6,4 m	8,4 m	17 m
Ø750 (30")	10,00 m³	7,3 m	9,3 m	17 m
Ø800 (32")	10,00 m³	6,9 m	8,9 m	17 m

Vmin : Volume minimum de l'enceinte à isoler.

Lmax : Distance maximale d'installation.

Lmin : Distance minimum d'installation du clapet flottant sur tuyauterie droite horizontale et sans coude.

Lmin +2m : Distance minimum d'installation dans au moins l'une des conditions suivantes :

- Clapet maintenu ouvert par son système mécanique,
- Canalisation avec coude avant le clapet, clapet horizontal ± 10° (voir figure 18),
- Canalisation avec coude avant le clapet, clapet avec inclinaison supérieur à 10° (valeur absolue) par rapport à l'horizontal, avec les conditions complémentaires suivantes :
 - Distance minimale d'installation = Lmin + 2 m, si la distance entre le coude et le clapet > 5 x Ø, ou
 - Distance minimale d'installation = Lmin + 2 m + 5 x Ø, si la distance entre le coude et le clapet = 5 x Ø.



L'installation du clapet avec une inclinaison supérieure à 10° (valeur absolue) par rapport à l'horizontal impose d'avoir une longueur droite entre le coude et le clapet au minimum égale à 5 x Ø (voir figure 16).

6. Fonctionnement du BADA-VEX

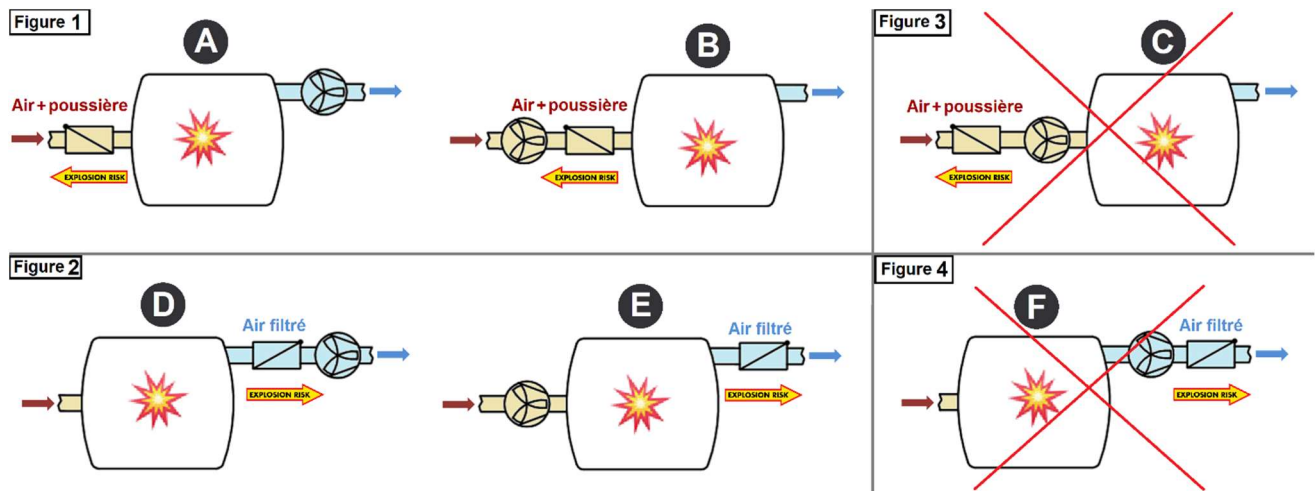
6.1. Règles du flux d'air

Le BADA-VEX est certifié pour protéger les installations fonctionnant en flux d'air par aspiration (Pull flow) et en flux d'air par pression (Push flow).

Le BADA-VEX peut être installé côté air chargé de poussière en position A et B (figure 1) ou côté air filtré en position D et E (figure 2). Les positions D et E imposent d'utiliser le BADA-VEX avec son système de maintien du clapet en position ouvert.

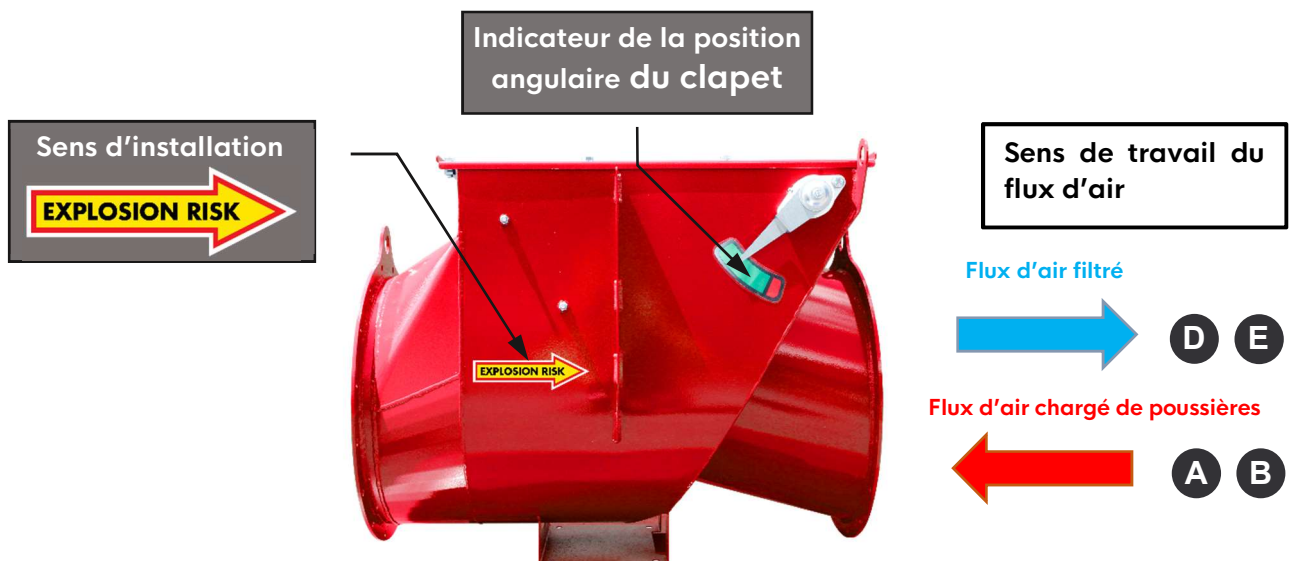
Le type de flux d'air (Pull flow, Push flow) n'influe pas sur les distances minimales d'installation.

i Les positions D et E sont à préconisées pour réinjecter l'air dans les bâtiments. Il n'est pas recommandé d'utiliser le BADA-VEX sur les positions C (figure 3) et F (figure 4).



6.2. Direction du risque d'explosion :

! Respecter le sens d'installation du BADA-VEX en le positionnant suivant la flèche "EXPLOSION RISK". En effet, cette flèche indique le sens de propagation de l'explosion que doit isoler le BADA-VEX et non celui du flux d'air de travail.



6.3. Modes de fonctionnement du BADA-VEX :



Le BADA-VEX a la possibilité de fonctionner selon deux modes, soit en mode clapet flottant (figure 5), soit en mode clapet maintenu ouvert (figure 6). En fonction du mode que vous choisissez d'appliquer, vous devez respecter les distances d'installation L_{min} ou L_{max} distinctes entre ces deux modes ainsi que le volume de l'enceinte d'où peut provenir l'explosion de poussière (voir Tab-1 page 6).



Mode flottant, le clapet est actionné par le flux d'air de travail, dès que le flux d'air s'arrête le clapet se referme par son propre poids sans se verrouiller.

Mode maintenu ouvert, le clapet est immobilisé par son système de lame(s) ressort(s) en position d'ouverture maximum. Ce mode permet d'installer le BADA-VEX sur la position du flux d'air filtré car il peut supporter un débit d'air de 30 m/s sans déclencher sa fermeture. Il peut aussi être installé sur le flux d'air chargé de poussières afin de limiter la perte de charge pour les faibles débits d'air ≤ 20 m/s.

Il est recommandé d'utiliser le BADA-VEX en version clapet flottant sur le flux d'air chargé de poussière (explosion à contre-sens du flux de travail). Par contre, il est obligatoire d'utiliser le BADA-VEX avec le clapet maintenu ouvert sur le flux d'air filtré (explosion dans le même sens que le flux de travail) en respectant le sens d'installation "EXPLOSION RISK".

Figure 5

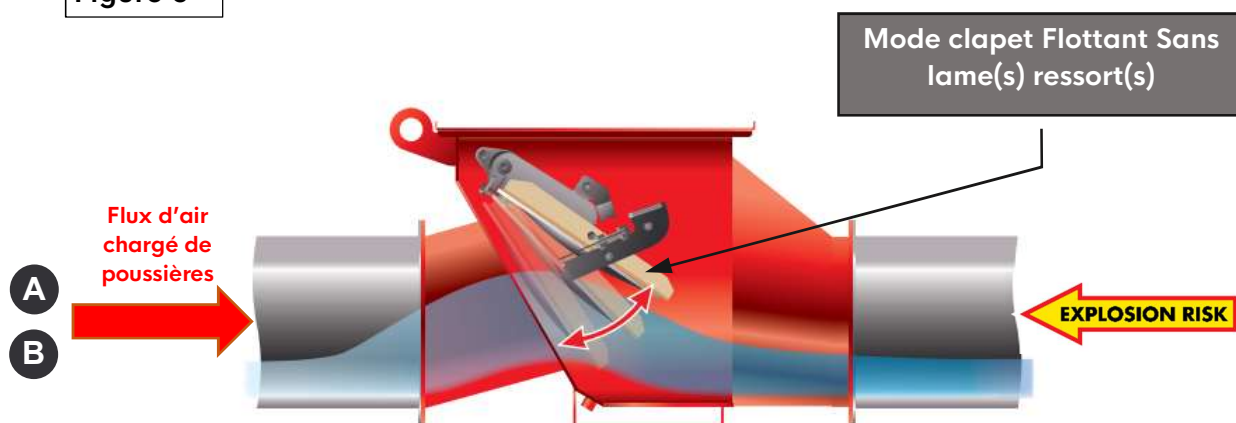
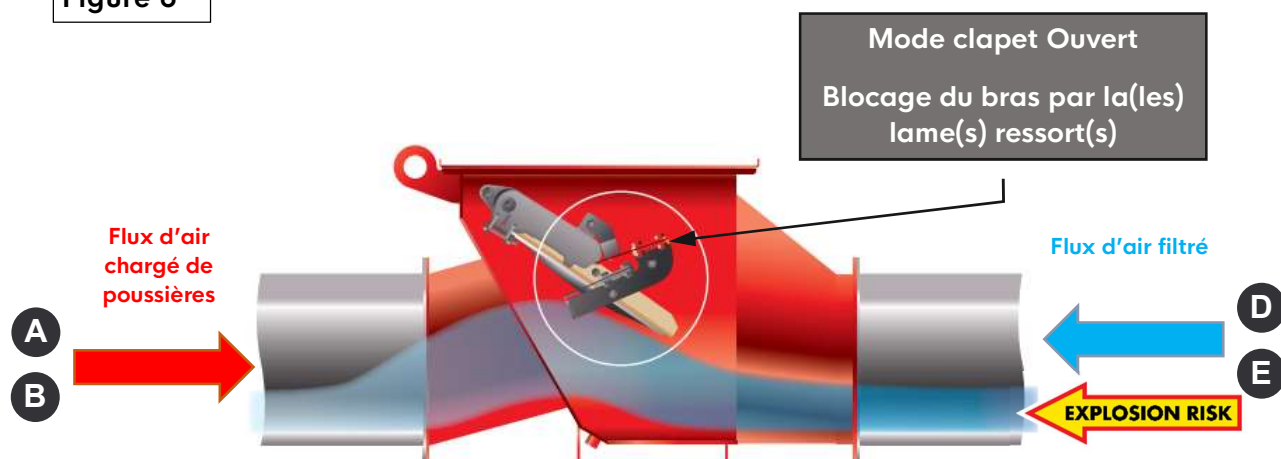
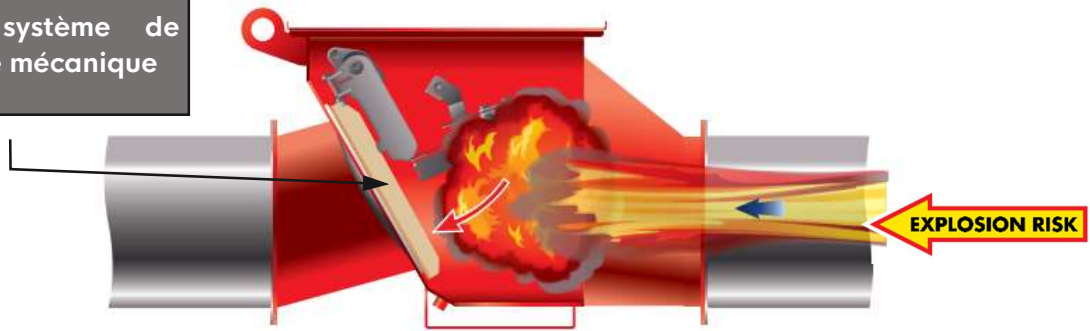


Figure 6



Seule la surpression d'une explosion est capable d'activer le verrouillage du clapet en position fermé (isolation à la flamme).

Le bras du clapet est bloqué en position fermé par son système de verrouillage mécanique



6.4. Réglage du mode de fonctionnement :



Le BADA-VEX est livré d'usine en mode clapet maintenu ouvert. Si vous choisissez de l'utiliser en mode clapet flottant, vous devez retirer le carter de protection et réaliser les opérations suivantes :
Assurez-vous préalablement que l'installation est hors tension avant de retirer le carter (ventilateur à l'arrêt).

6.4.1 Mode flottant:

Pour configurer le BADA-VEX en mode clapet flottant, vous devez retirer la (les) lame(s) ressort(s) afin de permettre au clapet de se déplacer librement (figure 7 et 7b).



Attention : le bras du clapet fait partie de l'ensemble mobile d'isolation, le poids de cet ensemble est important pour les BADA-VEX \geq DN 400 (16"). Il faut faire particulièrement attention lors de sa manipulation à ne pas poser les mains dans sa zone de mobilité, ni dans la zone d'étanchéité du clapet située à l'intérieur du BADA-VEX.

Figure 7

BADA-VEX clapet flottant DN160 (6") ou DN450 (18")

Retirer les composants suivants :

- F) Lame de maintien
- G) Axe
- H) Vis + Ecrou
- I) Goupille
- J) Support lame de maintien

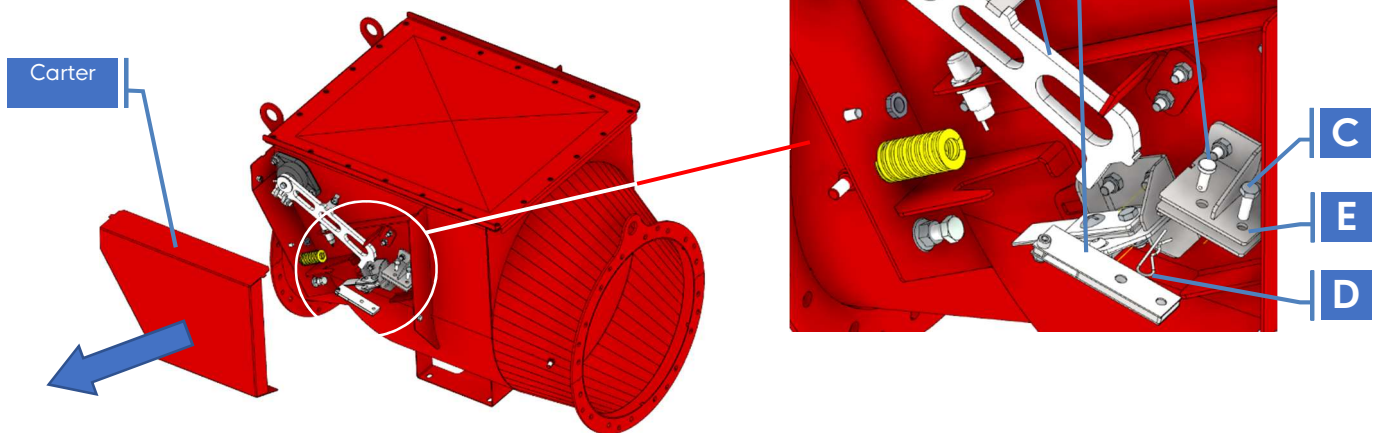
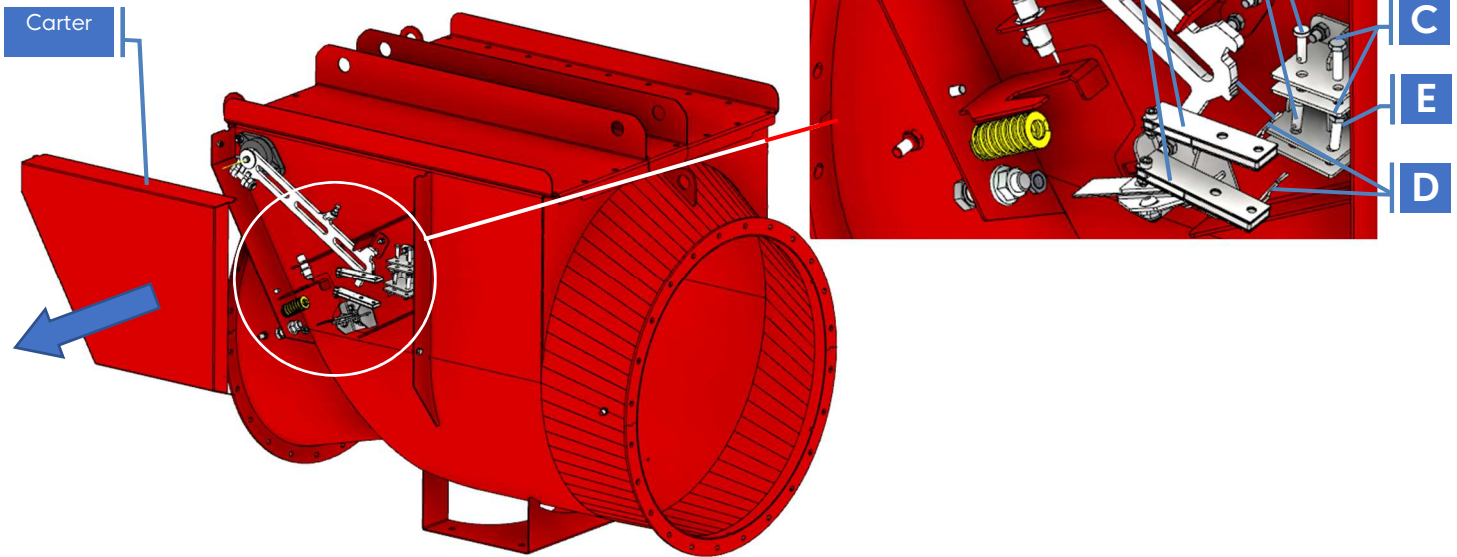


Figure 7b

**BADA-VEX clapet flottant DN500 (20")
au DN800 (32")**

Retirer les composants suivants :

- F) 2 Lames ressorts
- G) 2 Axes
- H) 2 Vis + Ecrous
- I) 2 Goupilles
- J) Support lame de maintien



6.4.2 Mode maintenu ouvert:



En cas de reconfiguration du BADA-VEX en mode clapet maintenu ouvert ou pour un besoin de manipulation du bras de clapet, vous devez retirer le carter de protection et réaliser les opérations suivantes :

3. Pour configurer le mode clapet maintenu ouvert, vous devez remettre la (les) lame(s) ressort(s) rep. A sur le(s) support(s) rep. E en réalisant l'opération inverse définie par la figure 7 ou 7b, serrer ensuite la (les) vis+écrou(s) à 5 N.m, puis desserrer de ¼ tour.
4. Pour positionner le clapet en mode maintenu ouvert (figure 8 et 8b), vous devez dans un premier temps écarter la (les) lame(s) ressort(s) rep. A vers l'extérieur afin de positionner le bras de clapet jusqu'en butée rep. F. Dans un deuxième temps, vous devez pivoter la (les) lame(s) ressort(s) sous le bras du clapet et relâcher la tension exercée sur le bras. Il ne reste plus qu'à verrouiller l'ensemble avec l' (les) axe(s) rep. B et la (les) goupille(s) rep. D.



Il est interdit d'utiliser le BADA-VEX sans son carter de protection. Vous devez le remettre en position avec ses vis de fixation après chaque intervention.

Figure 8

BADA-VEX clapet maintenu ouvert

1^{ère} étape mise en butée du bras de clapet

Exemple donné pour les BADA-VEX DN≤500 (20") avec double lame ressort. L'opération reste identique pour les autres dimensions, seul le nombre de lame change.

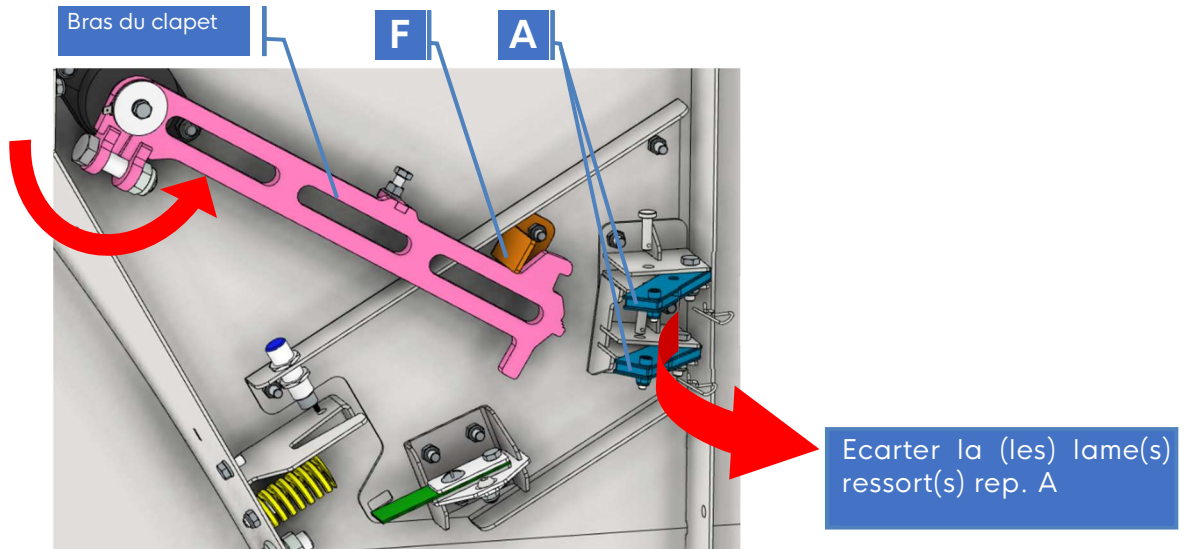
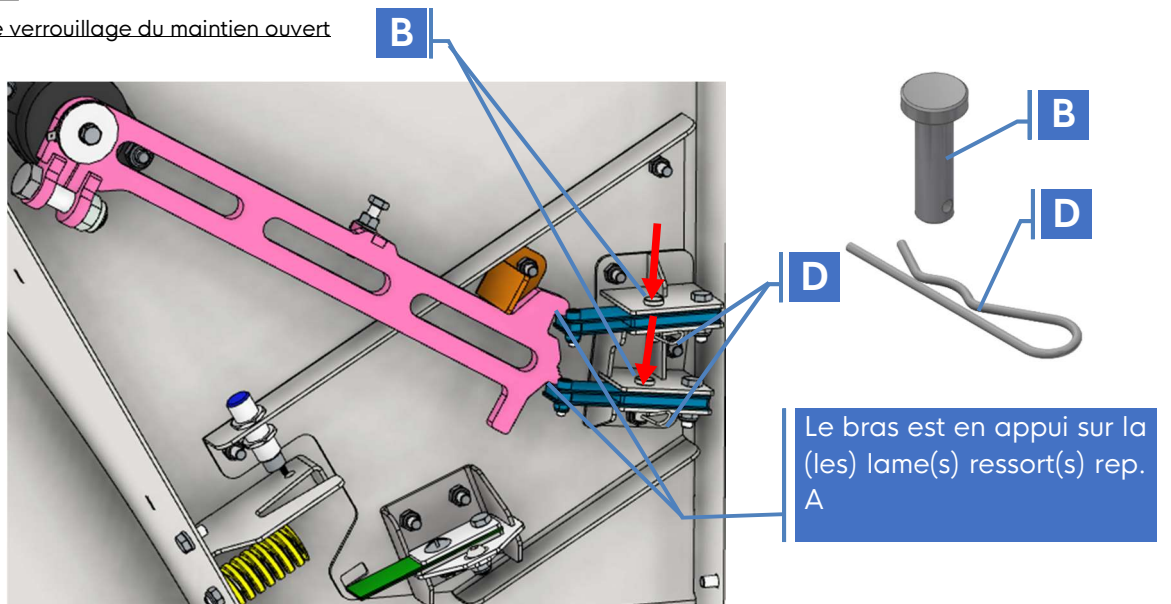


Figure 8b

2^{ème} étape verrouillage du maintien ouvert



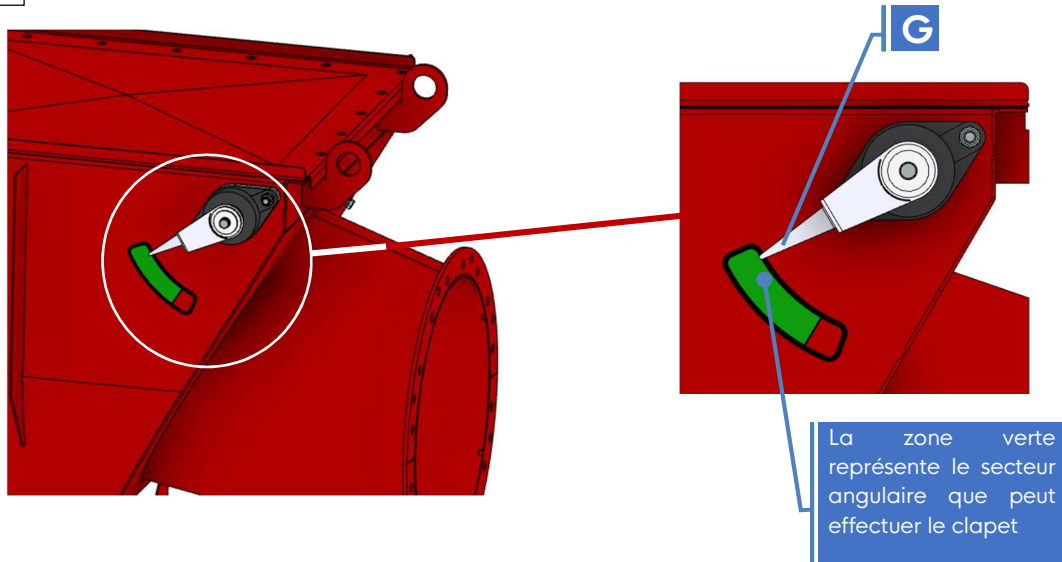
i Le système de blocage pour le maintien du clapet ouvert est différent selon la taille du BADA-VEX. Le nombre et la version des lames ressorts rep. A sont définis dans ce tableau (Tab-2) :

Gamme BADA-VEX	Ø160 au Ø350 Ø6" au Ø14"	Ø400 au Ø450 Ø16" au Ø18"	Ø500 au Ø800 Ø20" au Ø32"
Version rep. A	Flexible	Rigide	Rigide
Qté rep. A	x1	x1	x2
Schéma			

6.4.3 Indicateur de position du clapet en position ouvert :

La position du clapet totalement ouvert est visible à l'extérieur du BADA-VEX grâce à l'indicateur angulaire rep. G (figure 9) que ce soit en mode maintenu ouvert ou en mode flottant. En position ouverte l'aiguille rep. G est située en partie haute de la zone verte.

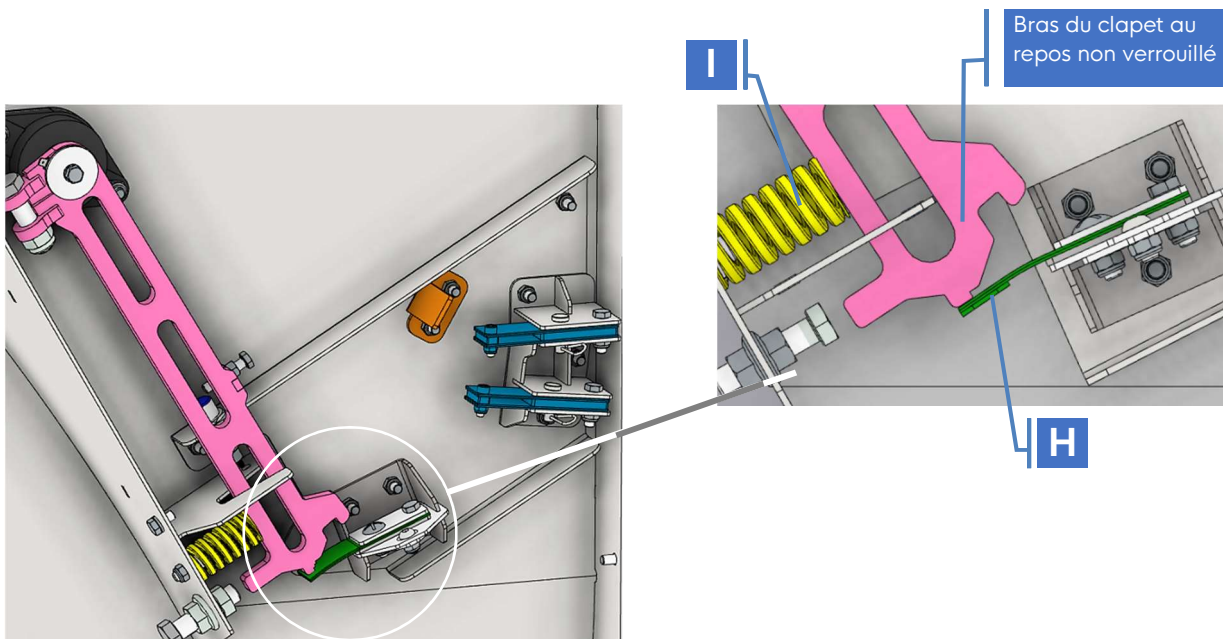
Figure 9



6.4.4 Position du clapet au repos (mode flottant uniquement) :

En mode flottant, le clapet du BADA-VEX est naturellement maintenu ouvert grâce au débit d'air produit par le ventilateur. Quand le ventilateur est arrêté, le bras du clapet revient en position de repos sur la lame de verrouillage rep. H sans se verrouiller grâce au(x) ressort(s) rep. I (figure 10).

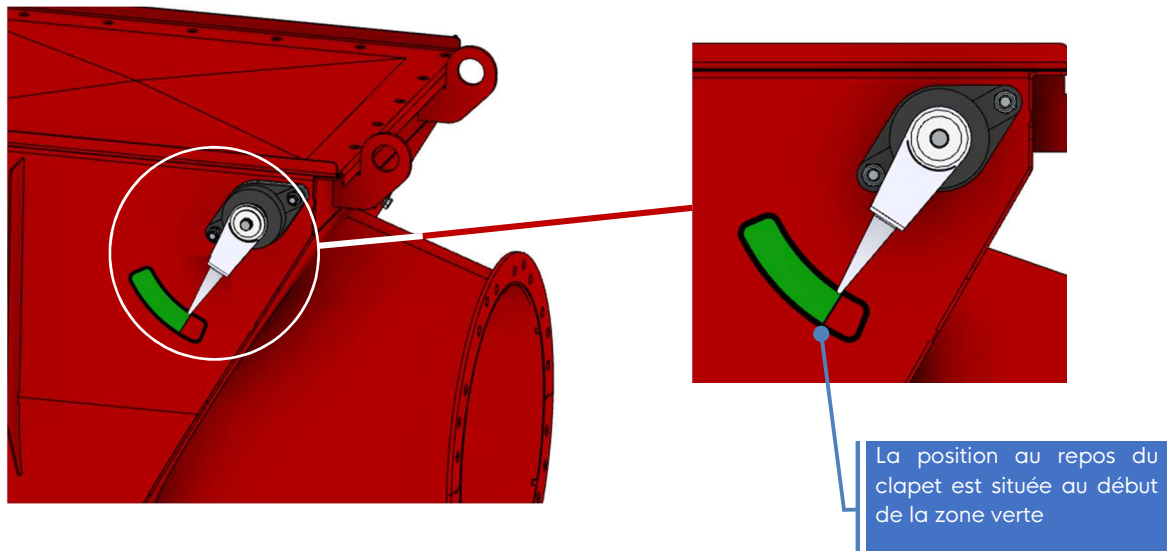
Figure 10



6.4.5 Indicateur de position du clapet au repos :

La position du clapet au repos est indiquée par l'aiguille rep. G située en zone verte en limite de séparation avec la zone rouge (figure 11).

Figure 11

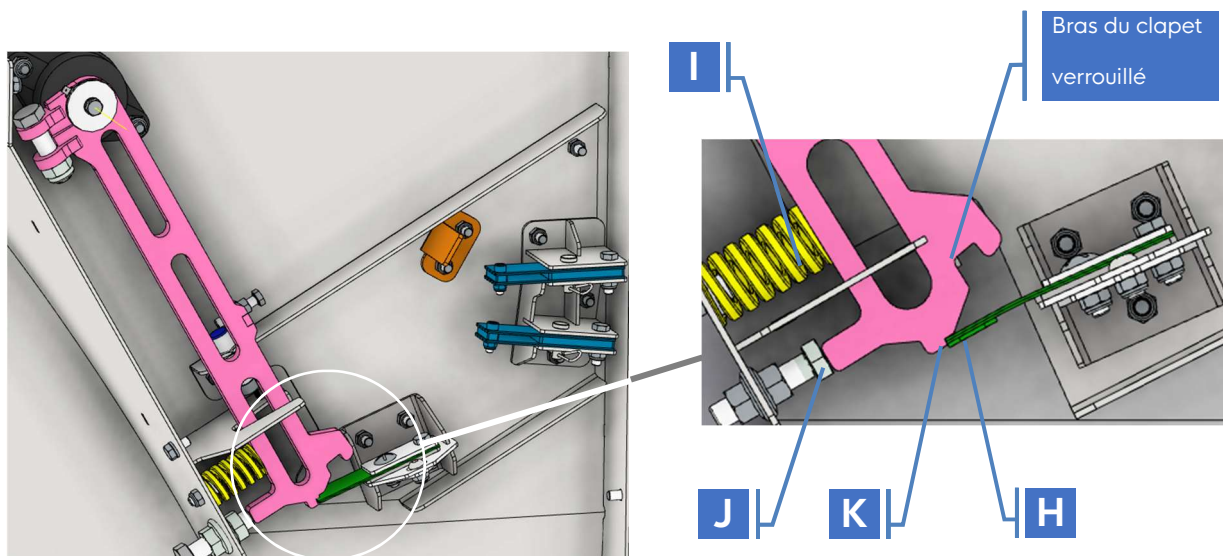


6.4.6 Verrouillage du clapet en position d'isolation :

Le verrouillage du clapet peut survenir, soit en cas d'explosion dans le volume à isoler, soit en cas de débit >35 m/s pour les BADA-VEX installés sur les conduits d'air filtré « position **D** » (figure 2). Dans ce cas, le bras du clapet vient comprimer le(s) ressort(s) rep. I jusqu'en butée rep. J de manière à laisser la lame de verrouillage rep. H se positionner sur la butée du bras du clapet rep. K (figure 12).

i Pour déverrouiller le clapet, il faut comprimer le(s) ressort(s) rep. I avec le bras du clapet puis appuyer sur la lame de verrouillage rep. H afin de libérer l'ensemble mobile.

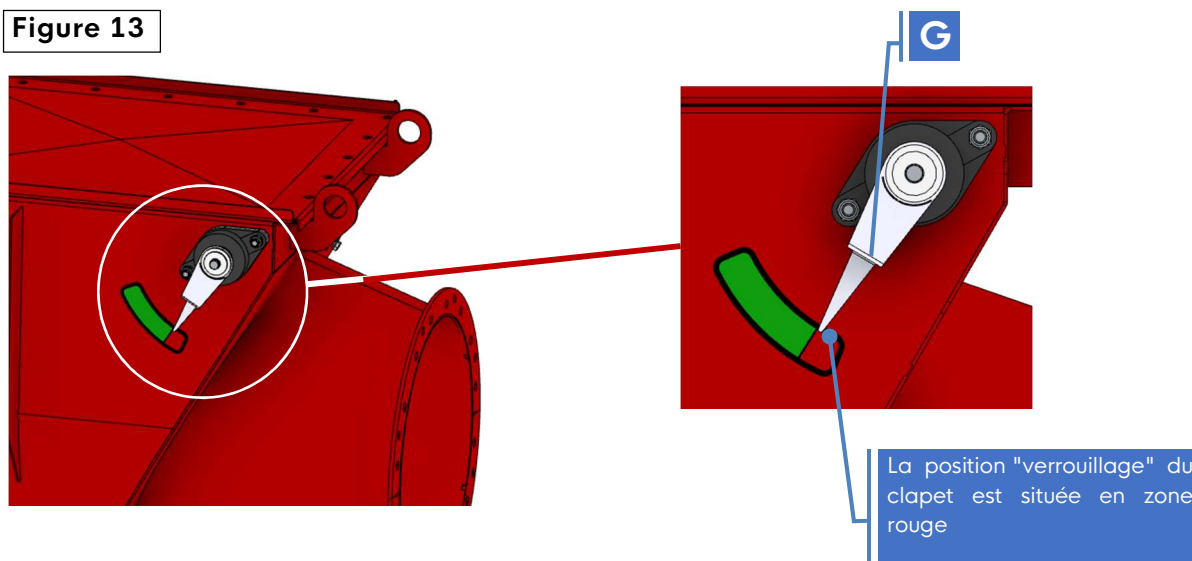
Figure 12



6.4.7 Indicateur de position du clapet verrouillé :

La position du clapet en situation de verrouillage (isolation à la flamme) est indiquée par l'aiguille rep. G située en zone rouge (figure 13).

Figure 13



7. Installation du BADA-VEX



Vérifications avant installation :

L'installateur devra contrôler avant le montage que le matériel livré n'a subi aucune détérioration.

L'installation du BADA-VEX doit être réalisée par du personnel qualifié aux prescriptions de sécurité et de santé des travailleurs susceptibles d'être exposés au risque d'ATEX Directive n° 1999/92/CE.

La tuyauterie installée en amont et aval du BADA-VEX doit avoir une résistance identique à celui-ci, soit 2 bars.

7.1. Règles d'installation du BADA-VEX :

14. Utilisez toujours les œillets de levage rep. O pour manutentionner le BADA-VEX (figure 19),
15. Respecter les distances d'installation L_{min} , L_{max} ainsi que les volumes V_{min} définis par taille de BADA-VEX (figure 16, 17, 18 et voir TAB-1),
16. Installez le BADA-VEX sur un support spécifique afin que la tuyauterie ne subisse aucune contrainte due au poids de l'appareil,
17. En cas de démontage de la porte d'accès rep. P, vous devez serrer les boulons M10 au couple de 20 Nm afin de garantir l'étanchéité du BADA-VEX (figure 19),
18. Installer des joints d'étanchéité entre les brides du BADA-VEX et celles de la tuyauterie de raccordement.
19. Respectez le couple de serrage selon la taille des vis utilisées pour les trous des brides de raccordement (TAB-3).

Vis classe ≥ 6.8	Couple de serrage
M6	5 Nm
M8	10 Nm
M10	20 Nm

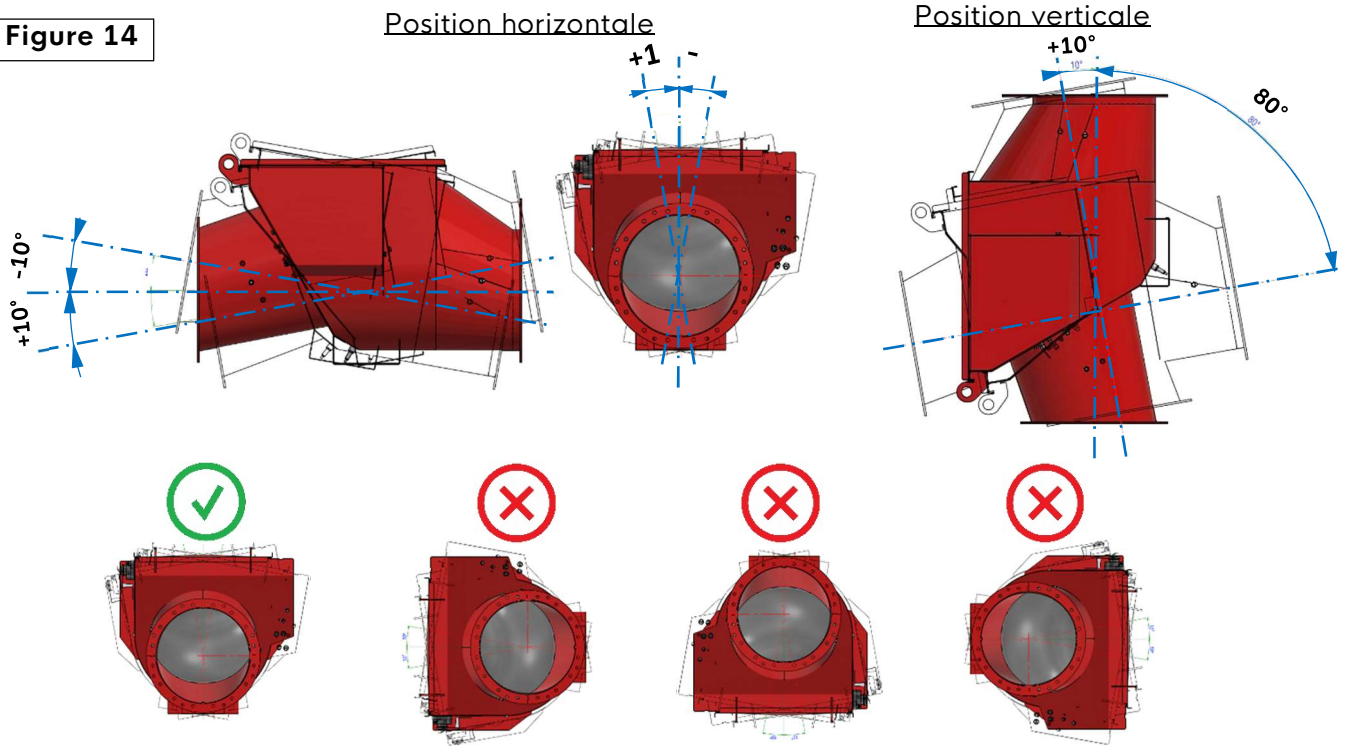
20. Sélectionner le mode de fonctionnement du BADA-VEX avant sa mise en service (voir paragraphe 4 - fonctionnement du BADA-VEX).



Rappel : le BADA-VEX est livré sorti d'usine en mode clapet maintenu ouvert.

21. Respecter les tolérances angulaires selon que le BADA-VEX est installé à l'horizontale ou à la verticale (figure 14).

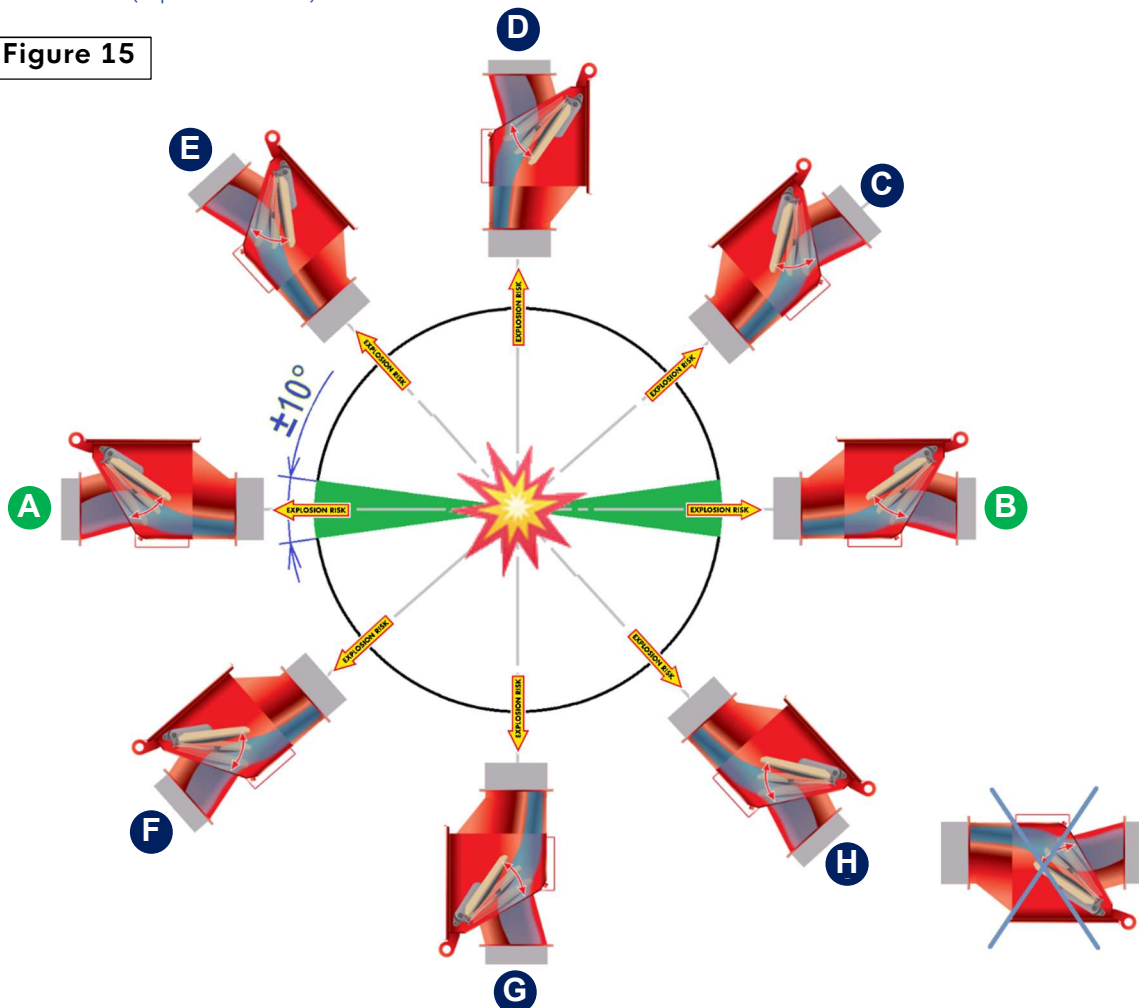
Figure 14



22. Orientations autorisées du BADA-VEX pour les installations horizontales et verticales (figure 15).

- Les vues A et B correspondent aux BADA-VEX installés en position horizontale $\pm 10^\circ$.
- Les vues C, D, E, F, G et H correspondent aux BADA-VEX installés en position inclinée ou verticale (supérieur à $\pm 10^\circ$).

Figure 15



23. Règles d'installation à respecter concernant la longueur de sécurité à appliquer entre le BADA-VEX et le volume à isoler, à savoir :

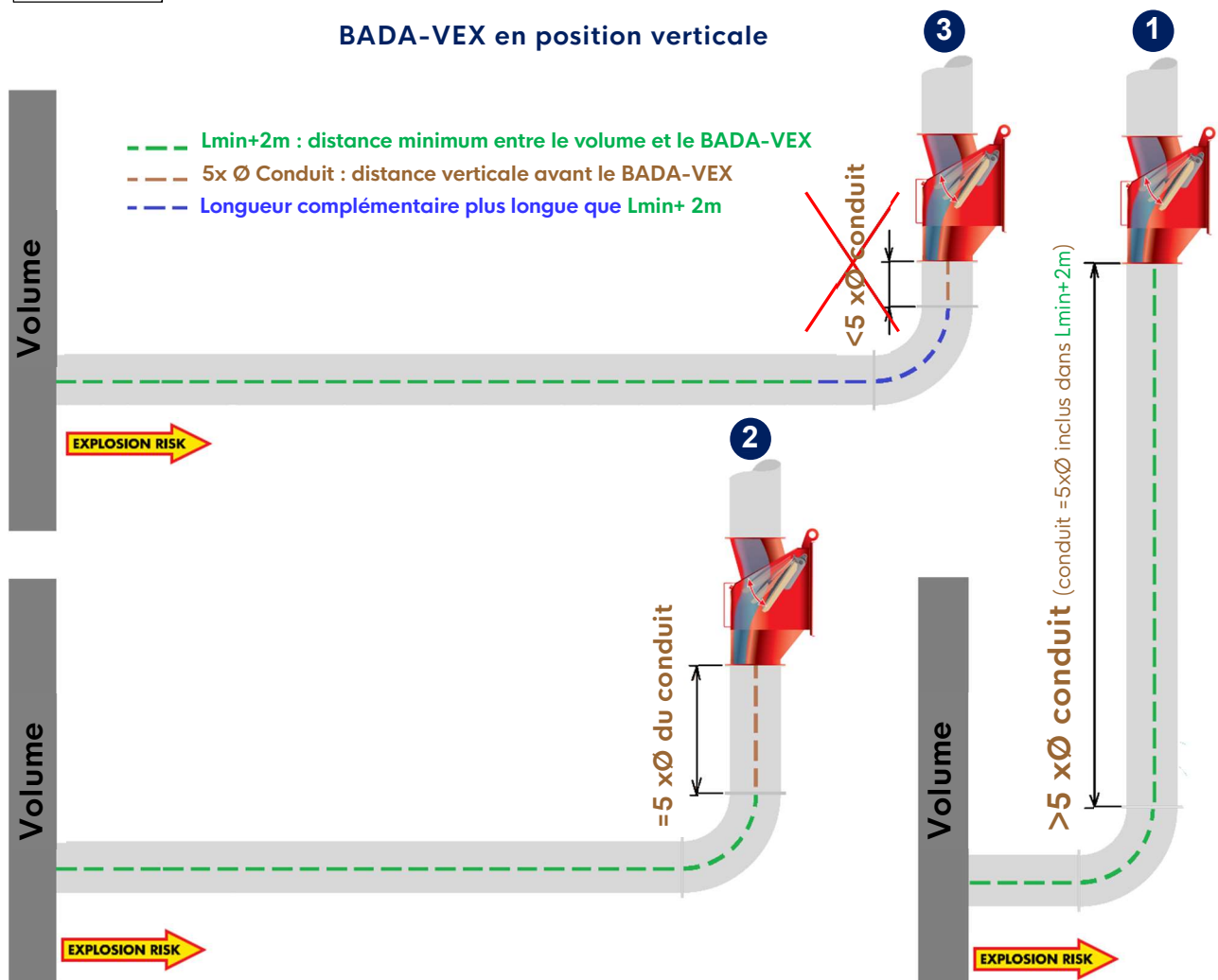
- Le système est fonctionnel avec des coudes en amont et en aval du BADA-VEX, sans restriction de nombre ou de positionnement, dès lors que les limites d'installation L_{min} et L_{max} sont respectées (voir TAB 1).
- La L_{max} est de 17 m, inclut tout élément de la canalisation (en particulier les coudes) et est mesurée à la fibre neutre (à l'axe).

L_{min} : Clapet flottant sur tuyauterie droite horizontale ($\pm 10^\circ$) et sans coude (figure 17, voir TAB 1).

$L_{min} + 2m$: Clapet maintenu ouvert par son système mécanique (figure 17, 18, voir TAB 1),
Canalisation avec coude avant le clapet, clapet horizontal $\pm 10^\circ$ (figure 18, voir TAB 1),
Canalisation avec coude avant le clapet, clapet vertical supérieur à $\pm 10^\circ$, respecter les conditions suivantes (figure 16, voir TAB 1) :

- 1 Distance minimale d'installation = $L_{min} + 2m$, si la distance entre le coude et le clapet $> 5 \times \varnothing$.
Où
- 2 Distance minimale d'installation = $L_{min} + 2m + 5 \times \varnothing$, si la distance entre le coude et le clapet = $5 \times \varnothing$.
- 3 Dans tous les cas, il n'est pas possible d'installer le BADA-VEX en position verticale avec une longueur droite entre le coude et le clapet inférieure à $5 \times \varnothing$ du conduit.

Figure 16



24. Rappel des conditions d'installation du BADA-VEX à l'horizontale:

L_{min} : Clapet flottant sur tuyauterie droite horizontale sans coude (figure 17 ; voir TAB 1).

$L_{min} + 2m$: Clapet maintenu ouvert par son système mécanique (figure 17 ; voir TAB 1),
Canalisation avec coude amont et/ou aval du clapet, clapet horizontal $\pm 10^\circ$ (figure 18).

Figure 17

BADA-VEX en position horizontale, tuyauterie droite

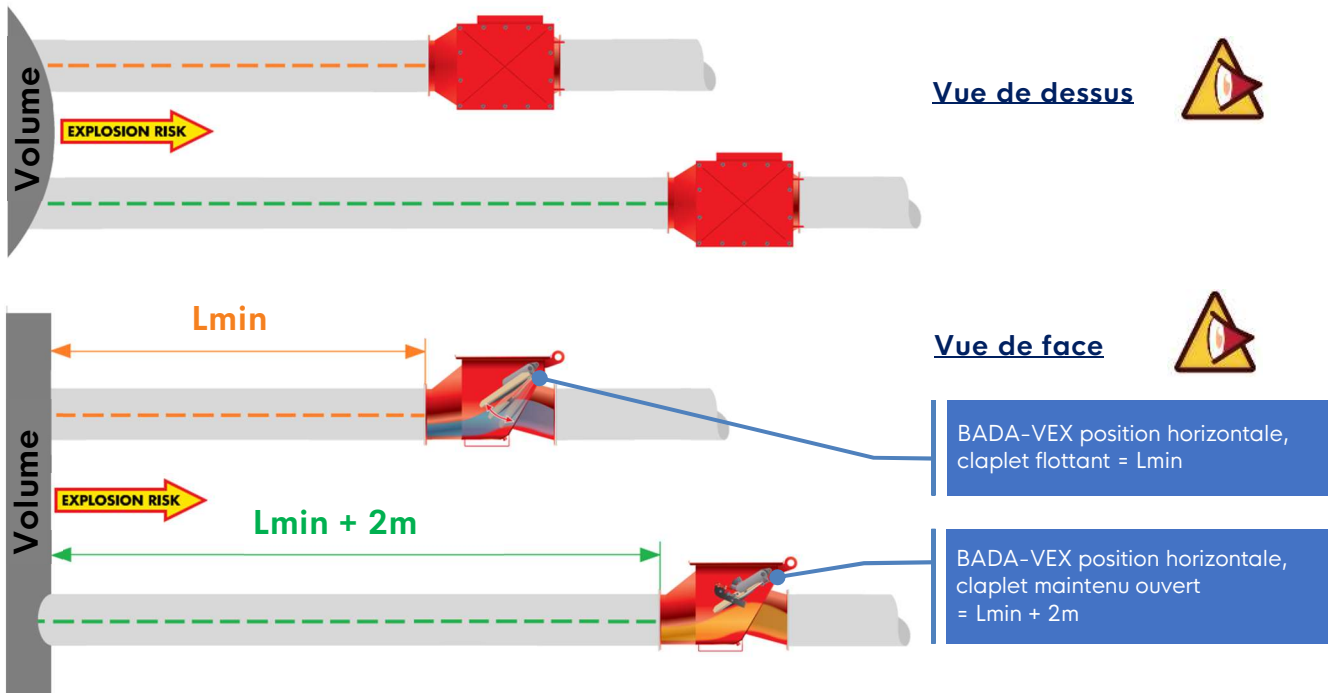
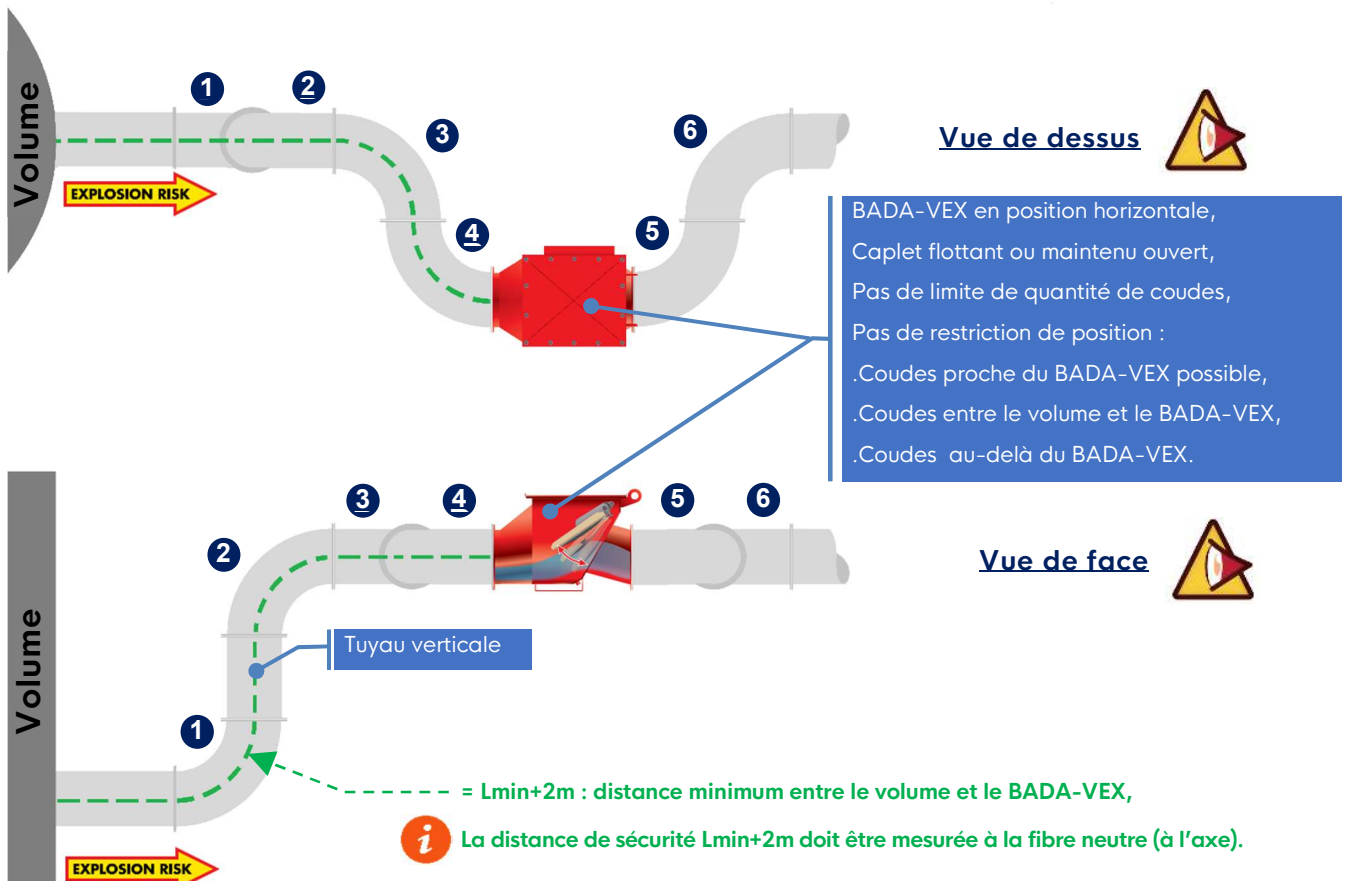


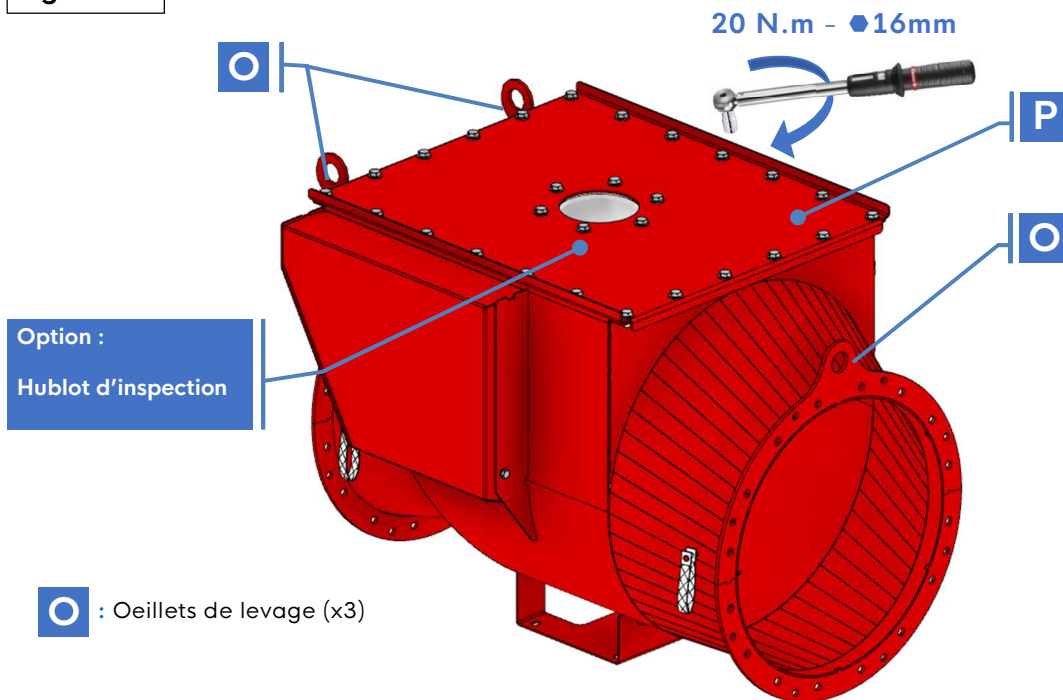
Figure 18

BADA-VEX en position horizontale, tuyauterie avec coudes



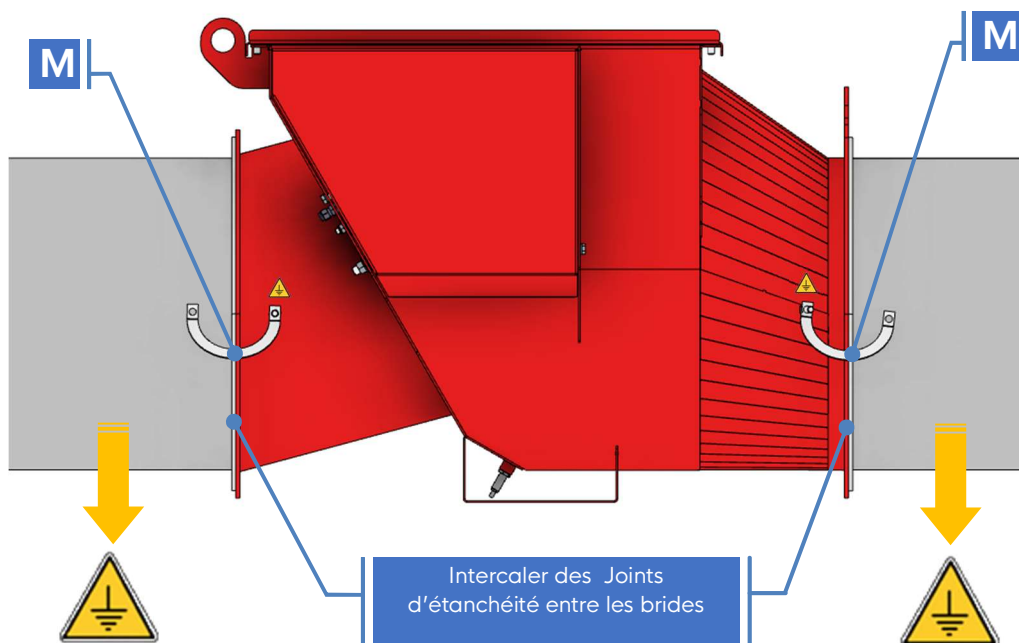
25. La porte rep. P est fixée en usine, après chaque inspection, veuillez à bien resserrer tous les boulons M10 à 20 N.m.

Figure 19



26. Raccorder les deux tresses de masse rep. M du BADA-VEX avec la tuyauterie amont et aval figure 20. Avant la mise en service du BADA-VEX, contrôlez que la continuité électrique ainsi que le raccordement à la terre sont fonctionnels.

Figure 20

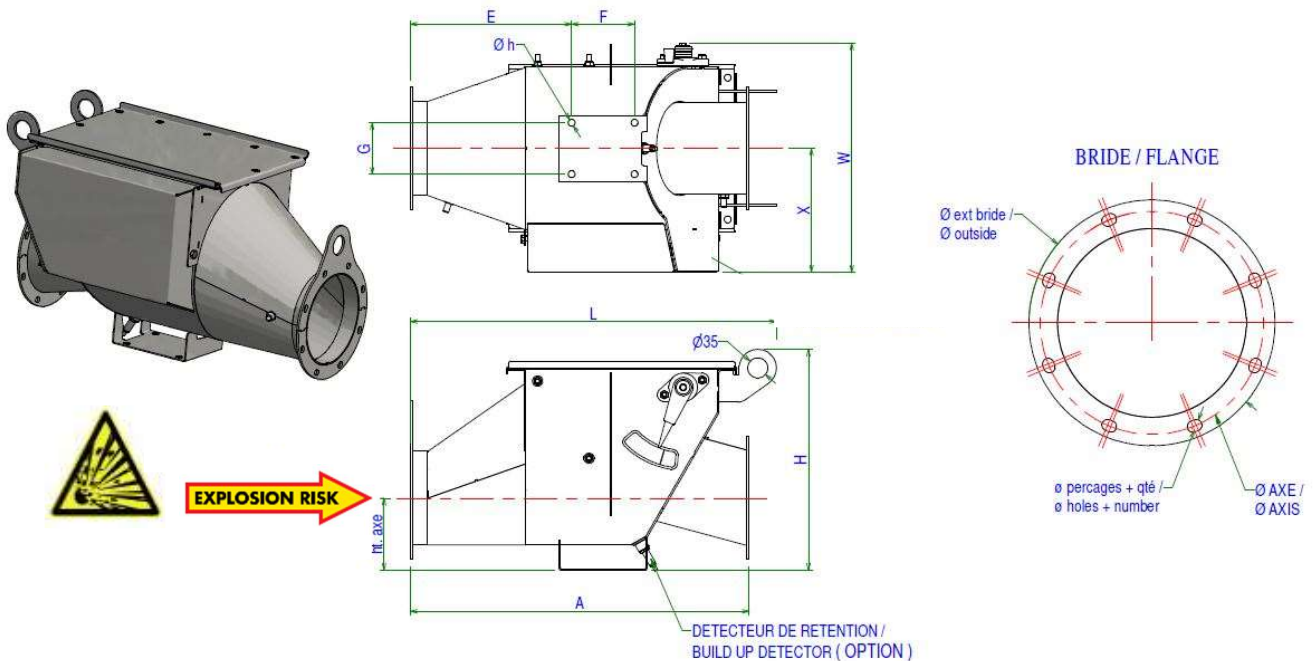


8. Dimensions globales (la liste des modèles est non exhaustive)

La gamme BADA-VEX est composée de sept corps principaux. Les corps de références sont indiqués par « x » dans les tableaux TAB-4 et TAB-5, ils se déclinent pour une à deux autres dimensions de raccordement.

Les dimensions des raccordements circulaires peuvent être exprimées en unité de mesure métrique (TAB-4) ou impériale (TAB-5).

La dénomination du BADA-VEX correspond au raccordement circulaire, exemple DN 200.



8.1. Gamme BADA-VEX « DN » métrique (TAB-4)

Ø BADA-VEX		Encombrement				Bride				Conduit		Platine de montage				masse Kg
Tuyau DN	Corps	L	H	W	X	Ø ext.	Ø axe	qté.	ø percages	A	Ht axe	E	F	G	Ø h percages	
		mm	mm	mm	mm	mm	mm		mm	mm	mm	mm	mm	mm	mm	
160	x	640	386	400	216	215	195	8	10	591	126	282	110	90	12	21
180		612				235	215	8	10	531	136	254				
200		857	466	490	261	255	235	12	10	857	138	325	160	140	12	35
250	x	717				305	285	12	10	671	163	253				33
300		966	575	590	311	355	336	12	10	966	197	373	160	160	12	44
350	x	817				415	389	12	12	776	222	302				50
400		1088	705	740	385	465	439	16	12	1089	249	431	180	260	12	81
450	x	945				515	489	16	12	893	274	359				77
500		1197	815	840	434	565	540	16	12	1 199	309	441	200	300	12	106
550	x	1045				615	590	16	12	996	334	369				104
600		1549	1038	992	508	665	640	16	12	1549	366	588	200	400	12	150
650		1363				715	690	24	12	1364	391	517				150
700	x	1207				785	750	24	12	1155	416	446				150
750		1751	1213	1200	602	835	800	24	12	1752	443	514	400	500	12	285
800	x	1563				885	850	24	12	1564	468	442				285

8.2. Gamme BADA-VEX « DN » impérial (TAB-5)

Ø BADA-VEX		Encombrement				Bride				Conduit		Platine de montage				masse Kg		
Tuyau DN	Corps	L	H	W	X	Ø ext.	Ø ax inch	qté.	Ø perçage inch	A	Ht axe	E	F	G	Ø h perçages			
		mm	mm	mm	mm	mm	mm		mm	mm	mm	mm	mm	mm	mm			
6"	x	649	386	400	216	209	185,7	7- 5/16	6	7,1	9/32	628	120	291	110	90	12	21
7"		616				238	215,9	8-1/2	6	9,5	3/8	559	133	258				20
8"		857	466	490	261	263	242,9	9- 9/16	6	9,5	3/8	857	138	325	160	140	12	35
10"	x	717				327	300	11- 13/16	6	11,1	7/16	670	163	253				33
12"		966	575	590	311	384	355,6	14	8	11,1	7/16	965	197	373	160	160	12	50
14"	x	817				435	406,4	16	8	11,1	7/16	776	222	302				50
16"		1089	705	740	385	486	457,2	18	8	11,1	7/16	1089	249	431	180	260	12	81
18"	x	945				536	508	20	8	11,1	7/16	893	274	359				77
20"		1199	815	840	434	587	552,5	21- 3/4	12	11,1	7/16	1199	309	441	200	300	12	110
22"	x	1039				638	603,3	23- 3/4	12	11,1	7/16	981	336	364				110
24"		1541	1038	992	508	689	657,2	25- 7/8	12	11,1	7/16	1538	368	582	200	400	12	178
26"		1353				766	720,7	28- 3/8	16	11,1	7/16	1353	393	512				170
28"	x	1200				816	771,5	30- 3/8	16	11,1	7/16	1138	419	438				170
30"		1739	1213	1200	602	867	822,3	32- 3/8	16	11,1	7/16	1739	444	508	400	500	12	285
32"	x	1548				918	873,1	34- 3/8	16	11,1	7/16	1545	470	435				285

9. Détecteur de position du clapet fermé

Le BADA-VEX est équipé d'un détecteur inductif qui indique quand le clapet est fermé (figure 21). Il change d'état lorsqu'il détecte la vis réglable rep. Q (isolation du dispositif à l'explosion).

 Le BADA-VEX est équipé en version standard d'un détecteur pour les installations situées hors zone ATEX. Une version optionnelle est disponible pour les zones ATEX II 2 D.

Les détecteurs sont de taille différente selon la dimension du BADA-VEX :

- Détecteur inductif Ø12 pour les DN≤350 (DN≤14")
- Détecteur inductif Ø18 pour les DN≥400 (DN≥16")

Nous conseillons de combiner le détecteur de position à un système d'alarme sonore, visuel ou à un automate procès de manière à signaler le verrouillage du clapet suite à une explosion ou à une situation anormale.

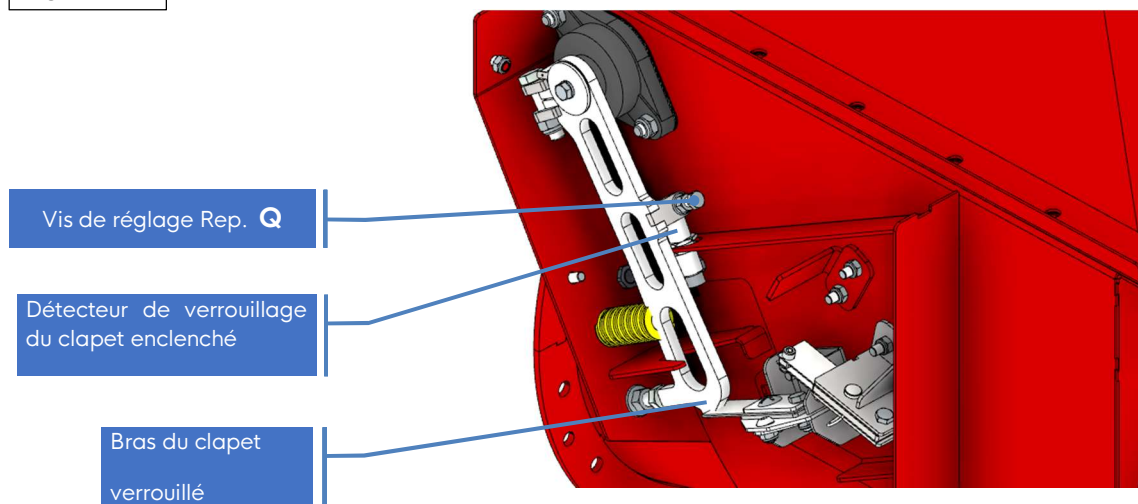


Le détecteur fonctionne en sécurité positive (contact fermé : NC) quand le clapet du BADA-VEX n'est pas verrouillé.



Le réglage du détecteur est réalisé en usine. Dans le cas de son remplacement, vous devez provoquer le verrouillage du bras de clapet en position fermé afin de positionner la vis rep. Q en situation de détection. Vous devrez ajuster la longueur de la vis rep. Q en visualisant le changement d'état du détecteur (coupure du signal) puis bloquer le contre écrou pour terminer le réglage.

Figure 21

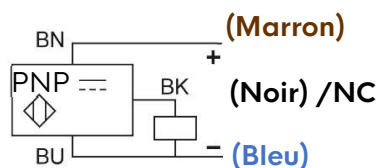


9.1. Détecteur de position standard Ø12 hors zone ATEX (DN≤350 - DN≤14"):

Tension d'alimentation :	Ue 12...48 V DC
Courant maxi :	le 200 mA
Indice d'étanchéité :	IP68
Sortie TOR :	NC
Type de sortie TOR :	PNP
Température ambiante :	-25°C<Ta<+70°C
Câble :	2m - 3 fils de 0,34 mm ²
État LED :	Etat sortie 1 LED jaune



i Schéma de raccordement électrique : +BN, -BU, Charge BK/BU

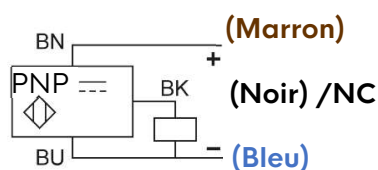


9.2. Détecteur de position en option Ø12 pour zone ATEX - Ex II 2 D (DN≤350 - DN≤14"):

Tension d'alimentation :	Ue 12...48 V DC
Courant maxi :	le 200 mA
Indice d'étanchéité :	IP68
Sortie TOR :	NC
Type de sortie TOR :	PNP
Température ambiante :	-20°C<Ta<+60°C
Câble :	10m - 3 fils de 0,34 mm ²
État LED :	Etat sortie 1 LED jaune
Marquage ATEX :	II 2 D_Ex tb IIIC T90°C Db
Certificat ATEX/IECEX :	INERIS 04ATEX0022 / INE 17.0006



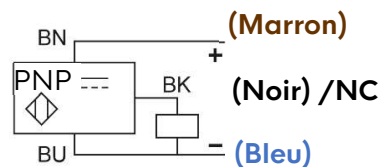
i Schéma de raccordement électrique : +BN, -BU, Charge BK/BU



9.3. Détecteur de position standard Ø18 hors zone ATEX (DN≥400 - DN≥16"):

Tension d'alimentation :	Ue 12...24 V DC
Courant maxi :	Ie 200 mA
Indice d'étanchéité :	IP67
Sortie TOR :	NC
Type de sortie TOR :	PNP
Température ambiante :	-25°C < Ta < +70°C
Câble :	2m - 3 fils de 0,14 mm ²
État LED :	Etat sortie 1 LED jaune

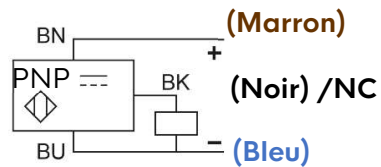
i Schéma de raccordement électrique : +BN, -BU, Charge BK/BU



9.4. Détecteur de position en option Ø18 pour zone ATEX - Ex II 2 D (DN≥400 - DN≥16"):

Tension d'alimentation :	Ue 12...48 V DC
Courant maxi :	Ie 200 mA
Indice d'étanchéité :	IP68
Sortie TOR :	NC
Type de sortie TOR :	PNP
Température ambiante :	-20°C < Ta < +60°C
Câble :	10m - 3 fils de 0,34 mm ²
État LED :	Etat sortie 1 LED jaune
Marquage ATEX :	II 2 D_Ex tb IIIC T90°C Db
Certificat ATEX/IECEx :	INERIS 04ATEX0022 / INE 17.0006

i Schéma de raccordement électrique : +BN, -BU, Charge BK/BU



10. Détecteur d'accumulation de poussière

Le BADA-VEX a la possibilité d'être équipé en option d'un détecteur capacitif et/ou d'un hublot d'inspection permettant de contrôler la présence anormale d'une couche de poussière dans la zone d'isolation du clapet, pour les BADA-VEX installés en position horizontale ou verticale.

Ces options facilitent le contrôle d'accumulation de poussière qui pourrait empêcher la bonne fermeture du clapet en cas d'explosion (figure 22 et 23).

En version standard, le BADA est équipé de deux bouchons laiton rep. R serrés à 20 N.m. Ces bouchons permettent d'obturer les orifices dédiés à l'option du détecteur capacitif (figure 22).

Figure 22

Option :

Hublot d'inspection

Fixation du détecteur capacitif sur le BADA-VEX installé en position :

HORIZONTALE

R

Fixation du détecteur capacitif sur le BADA-VEX installé en position :

VERTICALE

Option :

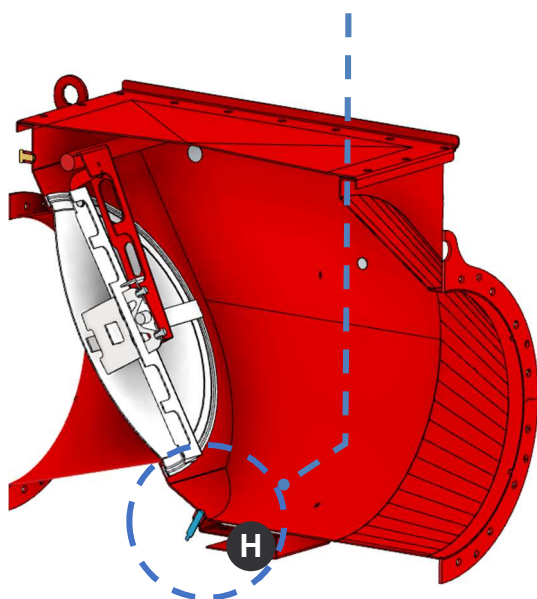
Hublot d'inspection



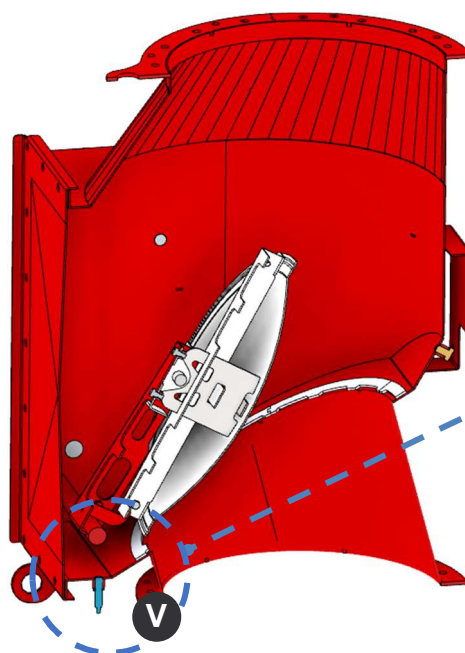
Ne jamais utiliser le BADA-VEX sans présence de bouchon (rep. R) ou de détecteur capacitif Ø12. Ne jamais utiliser le BADA-VEX avec un hublot détérioré ou absent (si option existante).

Figure 23

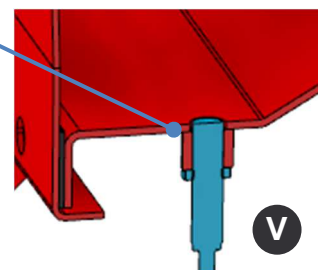
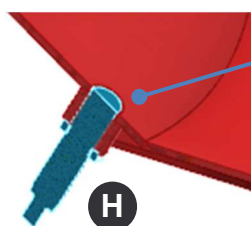
Détecteur Capacitif
installé sur BADA-VEX :
HORIZONTALE



Détecteur Capacitif
installé sur BADA-VEX :
VERTICALE



Le détecteur capacitive ne
peut pas dépasser à
l'intérieur du BADA-VEX
(doit être à fleur)



10.1. Détecteur capacitif Ø12 pour zone ATEX - Ex II 1 D:

Fonction de sortie :	NAMUR DIN 60947-5-6
Tension d'alimentation :	UB 5 - 15 V DC, $U_i = 15$ V DC
Consommation hors détection :	$\leq 1,5$ mA typique
Consommation en détection :	$\geq 2,5$ mA typique
Indice d'étanchéité :	IP67
Voyant LED :	Jaune
Température ambiante :	$-20^\circ\text{C} < T_a < +70^\circ\text{C}$
Câble :	2m - 2 fils de 0,14 mm ²
Marquage ATEX :	II 1 D_Ex ia III C T101°C Da
Certificat ATEX/IECEx :	DMT 03 ATEX E 048 / BVS 07.0031



Schéma de raccordement électrique : +BN, -BU, Charge BK/BU



Les capteurs NAMUR doivent être utilisés avec des amplificateurs de commutation approuvés pour ce mode de sécurité intrinsèque selon l'EN 60079-11 :2012.

11. Marquage ATEX

Le marquage du BADA-VEX est conforme aux exigences de la Directive ATEX 2014/34/UE.

 Le marquage  II D sur l'étiquette signifie que le BADA-VEX est un système de protection pour atmosphère explosive poussièrre.

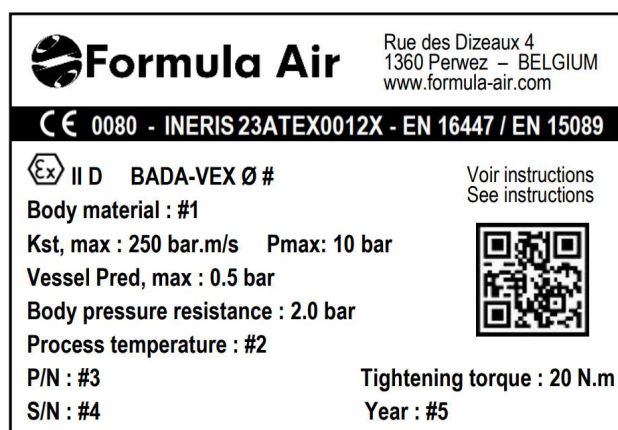
11.1. Caractéristiques de certification :


- 0080 Numéro de l'Organisme Notifié de surveillance, INERIS
- INERIS 23ATEX0012X Numéro de certificat réalisé par l'INERIS
- EN 16447 : 2014 Norme Européenne - Vanne à clapet d'isolation d'explosion
- EN 15089 : 2009 Norme Européenne - Systèmes d'isolement d'explosion

11.2. Champ d'application des normes présentes sur le marquage produit :

- **EN 16447** pour l'installation du clapet flottant ou maintenu ouvert par le système mécanique qui protège contre une propagation d'explosion dans le sens opposé au flux (air + poussière).
- **EN 15089** pour l'installation du clapet maintenu ouvert par le système mécanique qui protège contre une propagation d'explosion dans le sens du flux (air filtré).

11.3. Exemple de marquage :



1)  II D	Système de protection pour ATEX poussièrre
2) BADA-VEX Ø#	Modèle and dimension de raccordement
3) Body material	Matière du corps (exemple : Acier peint)
4) Kst max	Indice de vitesse d'explosion maxi de la poussière (bar.m/s)
5) Pmax	Pression maxi d'explosion de cette poussière en vase clos (bar)
6) Vessel Pred,max	Pression d'explosion réduite maximale de l'enceinte (bar)
7) Body pressure resistance	Résistance du corps à la pression (bar)
8) Process temperature	Température de service (C°)
9) P/N	Référence code article FORMULA AIR
10) S/N	Numéro de série de l'appareil
11) Year	Année de fabrication de l'appareil
12) 20 N.m	Couple de serrage des vis de la porte d'accès

12. Pertes de charge aéraulique

La perte de charge (ΔP) est différente selon que le BADA-VEX est installé côté air sale (TAB-6) avec clapet maintenu ouvert ou côté air sale (TAB-7) avec clapet flottant ou côté air filtré (TAB-8).

Air + poussière : (TAB-6) (TAB-7)

La plage totale de vitesse de flux d'air est comprise entre 15 m/s et 45 m/s.

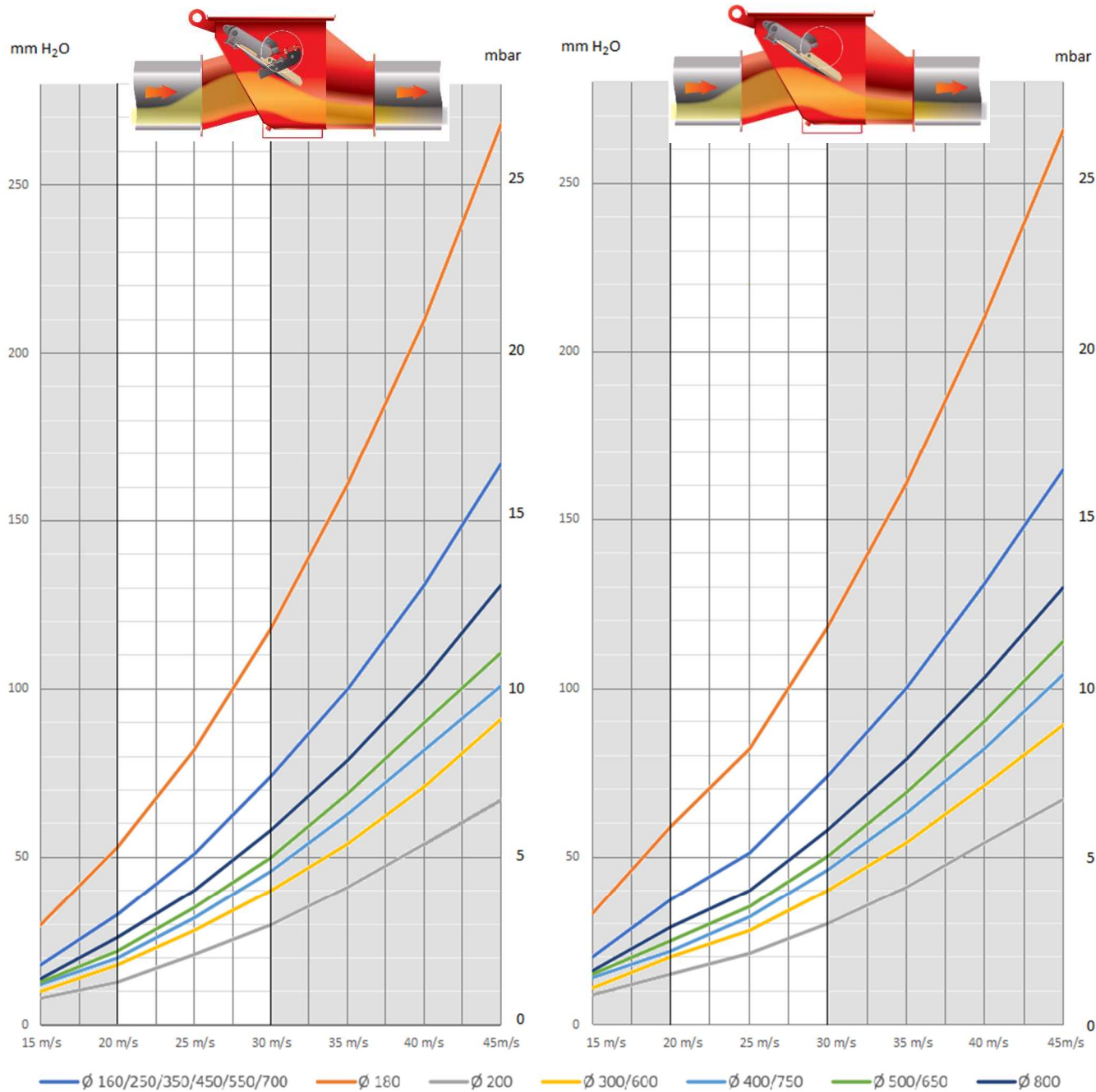
La plage conseillée de vitesse de flux d'air est comprise entre 20 m/s et 30 m/s.

Air propre : (TAB-8)

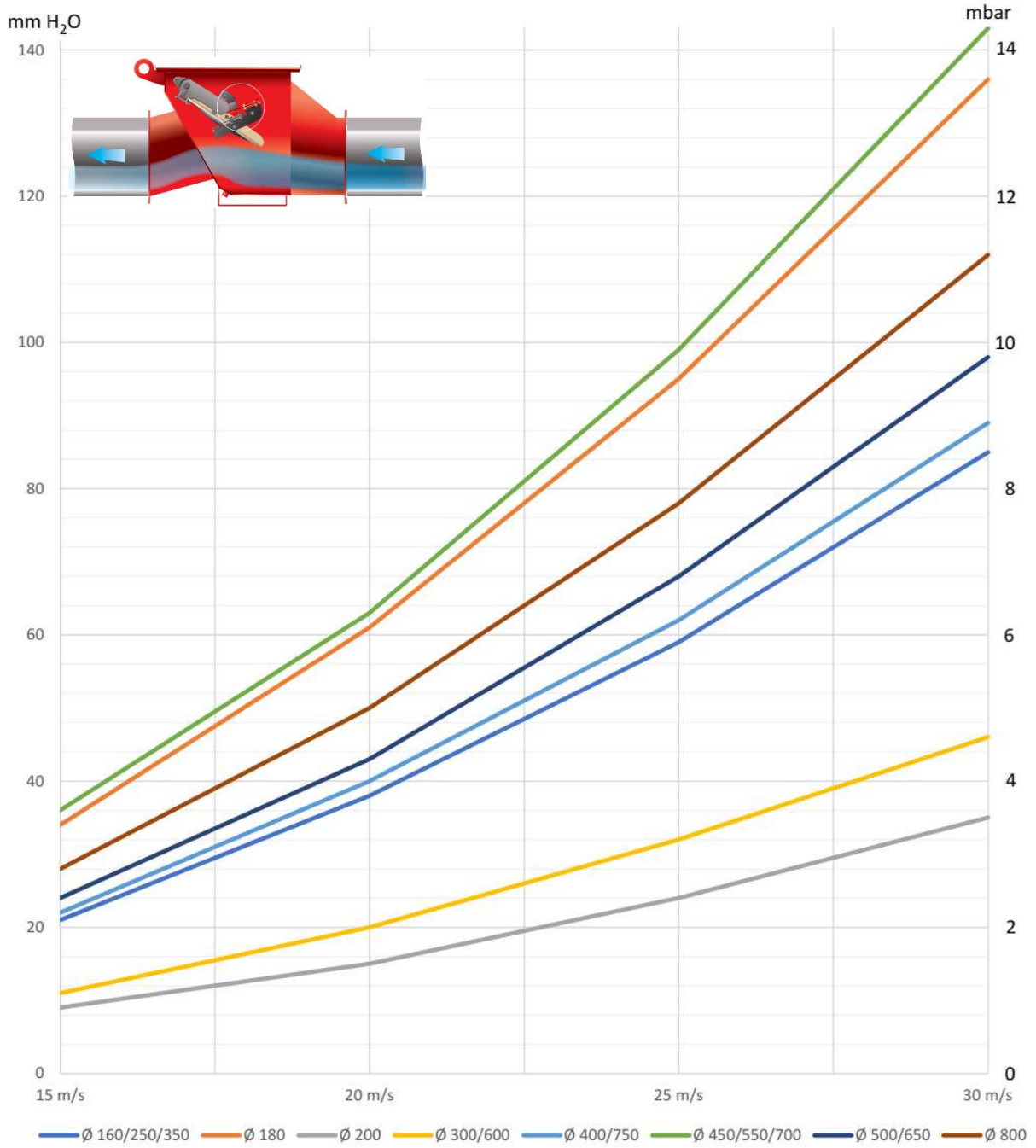
La plage de vitesse de flux d'air est comprise entre 15 m/s et 30 m/s.

Flux d'air + poussière, clapet maintenu ouvert (TAB-6) :

Flux d'air + poussière, clapet flottant (TAB-7) :



Flux d'air propre, filtré (TAB-8) :



12.1. Valeur de perte de charge (en mm H₂O) mesurée à 20 m/s (TAB-9).


BADA-VEX DN	160 6"	180 7"	200 8"	250 10"	300 12"	350 14"	400 16"	450 18"	500 20"	550 22"	600 24"	650 26"	700 28"	750 30"	800 32"
Air + poussière Clapet maintenu ouvert	33	53	13	33	18	33	20	33	22	33	18	22	33	20	26
Air + poussière Clapet flottant	37	59	15	37	20	37	22	37	25	37	20	25	37	22	29
Air filtré Clapet maintenu ouvert	38	61	15	38	20	38	40	63	43	63	20	43	63	40	50

13. Contrôle et maintenance périodique

13.1. Obligations normatives :

Selon la norme EN16447 et EN15089, vous devez planifier des inspections périodiques spécifiques afin de garantir que le BADA-VEX conserve dans le temps sa capacité d'isolement contre les explosions. Lors de ces contrôles, vous devez vous assurer que l'aptitude du BADA-VEX ne diminue pas dû à la présence de corrosion, d'abrasion, d'accumulation de poussière dans la zone d'étanchéité du clapet.

La fréquence des inspections doit être suffisante pour éviter les situations dangereuses (situations qui ont une incidence sur le bon fonctionnement du dispositif).

 Pour définir la fréquence des inspections, nous vous conseillons de réaliser des contrôles rapprochés au début de la mise en service du BADA-VEX afin d'identifier l'intervalle nécessaire entre deux inspections. L'intervalle entre deux inspections ne doit pas dépasser 1 an. Ajuster cet intervalle en fonction de l'état du BADA-VEX.

Seuls les personnels formés et habilités aux procédures de maintenance pour les matériels ATEX sont aptes à réaliser les inspections du BADA-VEX. Les résultats des inspections doivent être consignés dans un registre.



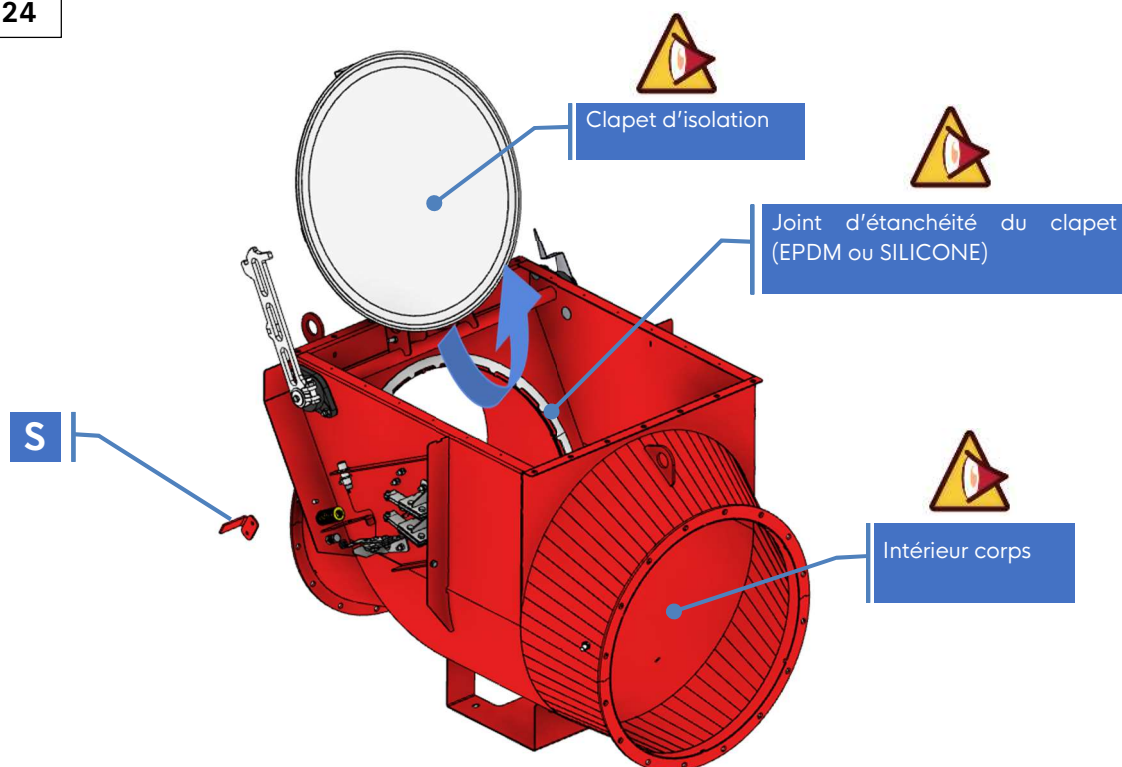
Avant de réaliser une inspection ou une maintenance sur le BADA-VEX, vous devez sécuriser la zone en vous assurant que la production du flux d'air est stoppée, et qu'elle ne risque pas d'être remise en service par inadvertance.

13.2. Opérations d'inspections périodiques :

Commencez par déposer le carter de protection et la porte d'accès.

Démontez ensuite la butée du bras de clapet rep. S et faire pivoter l'ensemble mobile en positionnant le clapet à l'extérieur du BADA-VEX (figure 24).

Figure 24



13.3. Procéder à l'inspection des points suivants (TAB-10):

Inspection	Zone de contrôle	Défaut constaté	Maintenance
Couche de poussière	Intérieur du corps	Présence d'une couche de poussière >1 mm	Procéder au nettoyage des zones colmatées
Abrasion	Clapet	Abrasion importante ♦	Remplacer le clapet *
	Intérieur corps	Abrasion importante ♦	Remplacement du BADA-VEX *
Étanchéité	Joint de clapet	Détérioration du joint	Remplacer le joint selon sa nature *
	Joint de la porte d'accès		
Corrosion	Intérieur et extérieur du BADA-VEX	Présence importante de corrosion ♦	Remplacement du BADA-VEX *
Choc	Intérieur et extérieur du BADA-VEX	Déformation importante du corps	Remplacement du BADA-VEX *
	Clapet	Déformation du clapet	Remplacement du clapet *
Fonctionnement	Partie mobile	Contraintes anormales sur la rotation de l'arbre	Remplacement du BADA-VEX *
Verrouillage	Système de verrouillage	Absence de lame de verrouillage	Retour en usine pour maintenance
		Lame de verrouillage détériorée	
Mise à la terre	Fixation des tresses de masse	Rupture de la liaison équipotentielle	Resserrer les points de fixation des tresses de masse
Raccordement à la tuyauterie	Boulons de fixation (brides de raccordement)	Défaut de serrage	Procéder au serrage de tous les boulons au couple préconisé, voir TAB-3
Signal de verrouillage	Détecteur de verrouillage	Pas de commutation du détecteur en situation de verrouillage du clapet	Régler la distance de détection à 2mm
			Remplacer le détecteur (référence identique) *
Orifice inférieur	Sous le clapet	Absence de détecteur capacitif (option) ou du bouchon laiton	Mise en place du bouchon ou du détecteur capacitif *

♦ Une usure constatée supérieure à 15% de l'épaisseur d'origine est considérée comme importante et doit faire l'objet du remplacement du matériel en défaut.

* Réaliser le remplacement des composants uniquement avec des pièces d'origines FORMULA AIR.



Toute autre maintenance devra faire l'objet d'une demande auprès des services techniques de FORMULA AIR.

Après inspection et/ou maintenance, l'ensemble mobile doit être repositionné dans sa position initiale (clapet flottant § figure 7 ou clapet maintenu ouvert § figure 8).

La butée haute rep. S doit impérativement être remise en place. La porte supérieure rep. P doit être refermée et serrée au couple préconisé (20 Nm) ainsi que le carter de protection du mécanisme de verrouillage.



Le système ne peut pas être utilisé si la butée haute rep. S n'est pas en position.

13.4. Procédure en cas d'explosion :

Après une explosion, l'intégrité mécanique du BADA-VEX peut être diminuée du fait de la violence du choc (soudure fissurée, surface d'isolation du clapet déformée, etc.). Cette situation oblige à procéder au remplacement du BADA-VEX.

14. Démantèlement et recyclage

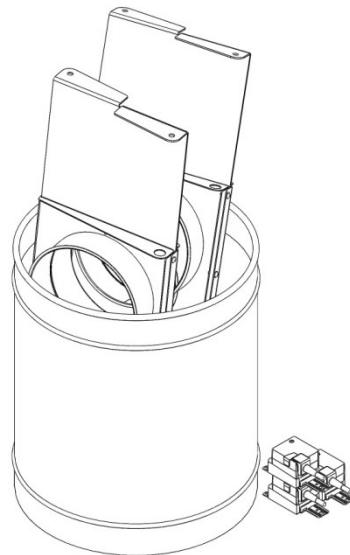
Veillez tenir compte des informations importantes suivantes lors du démantèlement d'une unité :

- Au fur à mesure du démantèlement de l'unité, récupérez les composants encore en bon état pour une utilisation future sur une autre unité.
- Vous devriez toujours séparer les différents matériaux en fonction de leur typologie : fer, caoutchouc, huiles, etc.
- Les composants recyclables doivent être récoltés dans les récipients appropriés ou apportés dans un centre de tri local.

Les déchets doivent être récoltés dans des récipients spéciaux avec un étiquetage adéquat et doivent être disposés en accordance avec les lois nationales ou/et les législations locales en vigueur.

ATTENTION!

Il est formellement interdit de disposer de produits toxiques dans les égouts ou les systèmes d'épuration. Ceci concerne principalement toutes les huiles, graisses, et autres matériaux toxiques sous forme liquide ou solide.



15. Carnet de maintenance

date	description



Contacts

Formula Air The Netherlands

Head Office / Production / Sales

Bossheweg 36
5741 SX Beek en Donk,
The Netherlands
+31 492 45 15 45
info-nl@formula-air.com

Formula Air Belgium

Logistics / Sales

Rue des Dizeaux 4
1360 Perwez
Belgium
+32 81 23 45 71
info-be@formula-air.com

Formula Air Baltic

Production / Sales

P. Motiekaičio g. 3
LT-77104 Šiauliai
Lithuania
+370 41 54 04 82
info-lt@formula-air.com

Formula Air France – West

Sales

6, avenue des Lions
44800 Saint-Herblain
France
+33 9 72 15 29 38
contact-ouest@formula-air.com

Formula Air France – North

Sales

Zac de la Carrière Dorée
BP 105, 59310 Orchies
France
+33 9 72 15 29 38
contact-fr@formula-air.com

Formula Air France – East

Sales

2 Rue Porcherie
38460 Cremieu
France
+33 9 72 15 29 38
contact-est@formula-air.com

Formula Air France – South

Sales

Chemin de Peyrecave
09600 Regat
France
+33 9 72 15 29 38
contact-sud@formula-air.com

Formula Air Germany

Sales

Dr.-Oetker Straße 10
54516 Wittlich
Germany
+49 6571 269860
info-de@formula-air.com

Formula Air Vietnam

Production / Sales

#33, Lot 2, Den Lu 1
Hoang Mai District, Hanoi
Vietnam
+84 (24) 38 62 68 01
info@vinaduct.com

Formula Air Nordic

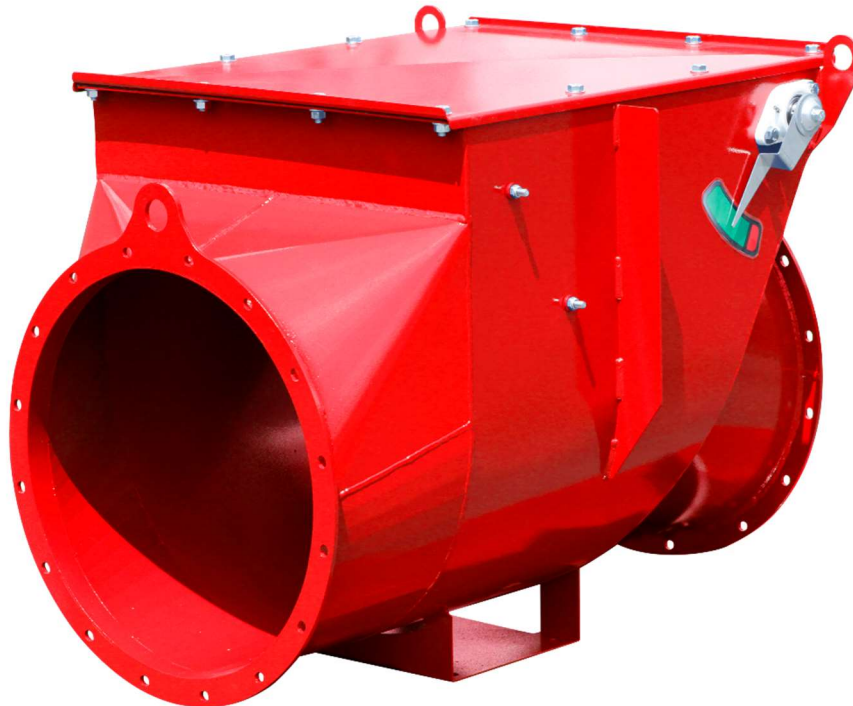
Sales

Stortorget 17
211 22 Malmö
Sweden
+46 40 654 06 10
info-scan@formula-air.com

Formula Air Export

Sales

Rue des Dizeaux 4
1360 Perwez
Belgium
+32 81 23 45 71
info-be@formula-air.com






BADA-VEX
ATEX Rückschlagklappen

Gebrauchsanleitung (DE)

V1.2-2023

Inhaltsverzeichnis

1.	Einleitung.....	68
2.	Präambel.....	68
3.	Sicherheitsinformationen.....	68
4.	Normen und Zertifikate.....	69
4.1.	Die Reihe BADA-VEX entspricht folgenden Normen :.....	69
4.2.	Die Herstellung entspricht folgenden Qualitätsnormen :.....	69
4.3.	Konformität mit ergänzenden Normen :.....	69
5.	Betriebsleistungen.....	69
5.1.	Reihe BADA-VEX : DN 160 – DN 800_(DN 6" bis DN 32").....	69
5.2.	Arbeitsluftstrom : Unterdruckluftstrom (Pull-Flow).....	69
5.3.	BADA-VEX Installationsdaten (TAB-1) :.....	70
6.	Funktionsweise der BADA-VEX-Rückschlagklappe.....	71
6.1.	Regeln für den Luftstrom.....	71
6.2.	Richtung des Explosionsrisikos:.....	71
6.3.	Funktionsmodi der BADA-VEX-Rückschlagklappe:.....	72
6.4.	Einstellung des Funktionsmodus :.....	73
6.4.1.	Beweglich-Modus :.....	73
6.4.2.	Offenhalte-Modus :.....	74
6.4.3.	4.4.3 Anzeiger der offenen Klappenposition :.....	76
6.4.4.	Ruhestellung der Klappe (nur bei Beweglich-Modus) :.....	76
6.4.5.	Anzeige der Ruhestellung der Klappe :.....	77
6.4.6.	Verriegelung der Klappe in Entkopplungsposition :.....	77
6.4.7.	Anzeige verriegelter Klappenposition :.....	78
7.	Installation der BADA-VEX.....	78
7.1.	Vorschriften zur Installation der BADA-VEX :.....	78
8.	Gesamtabmessungen (die Aufzählung der Modelle ist nicht vollständig).....	83
8.1.	Reihe BADA-VEX metrisch « DN » (TAB-4).....	83
8.2.	Reihe BADA-VEX angelsächsisch « DN » (TAB-5).....	84
9.	Sensor geschlossener Klappenposition.....	84
9.1.	Standard-Positionssensor Ø12 außerhalb ATEX-Zone (DN≤350 - DN≤14") :.....	85
9.2.	Optionaler Positionssensor Ø12 für ATEX-Zone -  II 2 D (DN≤350 - DN≤14") :.....	85
9.3.	Standard-Positionssensor Ø18 außerhalb ATEX-Zone (DN≥400 - DN≥16") :.....	86
9.4.	Optionaler Positionssensor Ø18 für ATEX-Zone -  II 2 D (DN≥400 - DN≥16") :.....	86
10.	Sensor für Staubablagerungen.....	86
10.1.	Kapazitiver Sensor Ø12 für ATEX-Zone -  II 1 D :.....	88
11.	ATEX-Kennzeichnung.....	89
11.1.	Zertifizierungseigenschaften :.....	89
11.2.	Geltungsbereich der vorliegenden Normen zur Produktkennzeichnung :.....	89
11.3.	Kennzeichnungsbeispiel :.....	89
12.	Luftstrom-Druckverluste.....	89
12.1.	Druckabfall-Kennlinien.....	90

12.2.	Druckverlust (in mm H ₂ O) gemessen bei 20 m/s (TAB-9).....	91
13.	Regelmäßige Kontrollen und Wartungsarbeiten.....	92
13.1.	Durch Normen auferlegte Verpflichtungen :.....	92
13.2.	Regelmäßige Überprüfungen :	92
13.3.	Zur Inspektion folgende Punkte überprüfen (TAB-10) :.....	93
13.4.	Verfahren im Falle einer Explosion :	93
14.	Zerlegung und Recycling	94
15.	Wartung	95
	Contacts.....	96

1. Einleitung

Dieses Bedienungsanleitung darf ohne vorherige schriftliche Zustimmung der Formula Air Group nicht reproduziert werden, auch nicht auszugsweise. Jeder Schritt des Rückschlagklappe-Sortiments wurde von der Formula Air Group im erwarteten Bereich während der Konstruktion, Konstruktion und Erstellung des Benutzerhandbuchs gründlich analysiert. Es versteht sich jedoch, dass nichts die Erfahrung, Ausbildung und das gute Gespür der Fachleute ersetzen kann, die mit dem Gerät arbeiten.

Ignorieren der Vorsichts- und Warnhinweise in dieser Bedienungsanleitung, Verwendung unsachgemäßer Teile oder des gesamten gelieferten Geräts, Verwendung nicht zugelassener Ersatzteile, Manipulation des Geräts durch nicht qualifiziertes Personal, Verletzung jeglicher vom Lieferanten erwarteten Sicherheitsnormen in Bezug auf Design, Konstruktion und Verwendung, befreien die Formula Air Group von jeglicher Verantwortung im Falle von Personen- oder Sachschäden.

Formula Air Group übernimmt keine Verantwortung für die Nichtbeachtung der in dieser Bedienungsanleitung aufgeführten vorbeugenden Sicherheitsmaßnahmen durch den Benutzer.

Die Nichtbeachtung der Anforderungen der Bedienungsanleitung oder die unsachgemäße Verwendung des Rückschlagklappe während des Betriebs kann zur Beschädigung des Rückschlagklappe und zur Fehlfunktion des Rückschlagklappe selbst führen. Dies führt zum Erlöschen der Garantie auf den Artikel und entbindet den Hersteller von jeglicher Haftung.

Garantie

Bezüglich der Gerätegarantie siehe allgemeine Verkaufsbedingungen.

VORSICHT!

Alle in dieser Bedienungsanleitung enthaltenen Zeichnungen und Referenzen sind unverbindlich und können ohne vorherige Ankündigung nach Ermessen der Formula Air Group und ihrer Partner geändert werden.

Copyright © Formula Air.

2. Präambel

Bevor Sie mit der Installation des Ventils fortfahren, lesen Sie bitte sorgfältig die folgenden Anweisungen.

Warnung :



Zur Gewährleistung richtiger Funktionsweise der BADA-VEX-Rückschlagklappe müssen alle in der vorliegenden Anleitung beschriebenen Anweisungen vollständig verstanden sein und genauestens befolgt werden. Wir bitten Sie bei Fragen, zum Beispiel hinsichtlich einer besonderen Installation, mit FORMULA AIR in Verbindung zu treten.

3. Sicherheitsinformationen

Die BADA-VEX-Rückschlagklappe ist eine Schutzvorrichtung für explosionsgefährdete Staubatmosphären (EX II D). Der Betreiber der jeweiligen Anlage muss zum richtigen Einsatz dieser Vorrichtung die Anforderungen der Richtlinie 1999/92/EG erfüllen. Insbesondere muss das Personal zur Gewährleistung der Sicherheit von Personen und Gütern mit den zu beachtenden Ausschreibungen und Sicherheitsvorschriften vertraut sein.



Nach der Norm EN 16447 beim Einsatz von Rückschlagklappen zu befolgende Vorsichtsmaßnahmen. Die Rückschlagklappe zur explosionstechnischen Entkopplung darf nicht zum Schutz gegen Explosionen nachstehender Stoffe oder von Mischungen, in denen gewisse dieser Stoffe enthalten sind, verwendet werden:

- i) Gase, Dämpfe oder hybride Gemische,
- j) Chemisch instabile Stoffe,
- k) Explosivstoffe,
- l) Pyrotechnische Materialien.



Zur Installation muss der Mindest- oder Höchstabstand zum Volumen der Behälter, in der die Staubexplosion eintreten könnte (L_{min} oder L_{max}), eingehalten werden, um im Falle einer Explosion die Entkopplung durch die BADA-VEX-Rückschlagklappe zu gewährleisten.



Die Behälter, deren explosionstechnischen Entkopplung durch eine BADA-VEX-Rückschlagklappe ermöglicht werden soll, muss mit Explosionsdruckentlastung geschützt sein.



Die Behälter, für deren Entkopplung die BADA-VEX-Rückschlagklappe vorgesehen ist, darf einem reduzierten Druck von über 0,5 bar (Pred) nicht ausgesetzt werden. Sollte die Behälter einem höheren Druck widerstehen, so ist das Druckentlastungssystem so auszulegen, dass der Explosionsdruck in der Behälter 0,5 bar nicht überschreiten kann. Deshalb müssen die Leitungen zwischen BADA-VEX und Behälter 2 bar aushalten (wie die BADA-VEX).



Die BADA-VEX nicht als Halterung ihrer Zu- und Ableitungsrohre verwenden und sie keinen starken Schwingungen aussetzen, um im Falle einer Explosion die vollständige Entkopplung nicht zu beeinträchtigen.

Zur Sicherung des Stromdurchgangs (Erdung der Anlage) sind die Erdungsbänder der BADA-VEX an ihren Zu- und Ableitungsrohren anzuschließen.

4. Normen und Zertifikate

4.1. Die Reihe BADA-VEX entspricht folgenden Normen :

- 2014/34/EU ATEX-Richtlinie
- EN 16447: 2014 Rückschlagklappe zur explosionstechnischen Entkopplung
- EN 15089: 2009 Explosions-Entkopplungssysteme
- EN 1127-1: 2019 Explosionsfähige Atmosphären – Explosionsschutz — Teil 1
- EN 14460: 2018 Explosionsfeste Geräte



4.2. Die Herstellung entspricht folgenden Qualitätsnormen :

- 0080 Nr. der mit der Kontrolle beauftragten benannten Stelle (INERIS)
- INERIS 23ATEX0012X Nr. der EU-Baumusterprüfbescheinigung



4.3. Konformität mit ergänzenden Normen :

- NFPA 69: 2019 Explosionsschutzsysteme



5. Betriebsleistungen

Die BADA-VEX-Rückschlagklappe ist eine Explosionsschutzvorrichtung mit einer bewegliche Klappe, welche bei Einwirkung eines durch eine Explosion ausgelösten Überdrucks schließt und verriegelt bleibt, und somit verhindert, dass Flammen durch Rohrleitungen in andere Teile einer Installation (Staubsammler, Filter, Zyklon Abscheider usw.) eindringen können.

Die BADA-VEX-Rückschlagklappe ist sowohl für den Schutz von Anlagen mit Unterdruck Luftstrom als auch von solchen mit Überdruckluftstrom zertifiziert.

Die BADA-VEX-Rückschlagklappe schützt das Rohrleitungsnetz gegen die Ausbreitung einer Explosion in einer dem staubhaltigen Luftstrom entgegengesetzten Richtung (Beispiel: Siehe Abbildung 1 auf Seite 5; "Position **A**"), oder auch gegen die Ausbreitung in der Richtung des gefilterten Luftstroms (Beispiel: siehe Abbildung 2 auf Seite 5; "Position **D**"). Im zweiten Fall muss das BADA-VEX-Rückschlagventil mit seinem Federhaltesystem betätigt werden, um die Klappe offen zu halten.




Die Einsatzgrenzwerte der Reihe BADA-VEX gewährleisten die Sicherheit von Personen, Geräten und Installationen. Das Unternehmen, das BADA-VEX -Geräte einsetzt, ist für die Einhaltung dieser Grenzwerte verantwortlich.

5.1. Reihe BADA-VEX : DN 160 – DN 800_(DN 6" bis DN 32")

5.2. Arbeitsluftstrom : Unterdruckluftstrom (Pull-Flow)
Überdruckluftstrom (Push-Flow)

- Auf Zu- und Ableitung der BADA-VEX-Rückschlagklappe können Rohrbögen in beliebiger Anzahl und Position eingebaut werden.
- Installation in vertikaler Position (siehe Abbildungen 15 und 16).

Kst,max	≤250 bar.m/s	Pred,max *	≤ 0.5 bar	Strömungs- geschwindigk.	Luftseite reinigen: ≤ 30 m/s Schmutzige Luftseite : ≤ 45 m/s
Kst,min	Unbegrenzt	Druckfestigk. BADA-VEX	2.0 bar	Verwendung	Staubhaltiger Luftstrom Sauberer Luftstrom
Pmax	10 bar	ATEX Kennzeichen	 II D	Prozess- Luftstrom	Unterdruck Luftstrom Überdruckluftstrom
EMI	≥ 10 mJ	ATEX innen	Zone 20 (II 1 D)	Druck in Leitungen	500 mbar max
TMI	≥ 400°C	Staub Typ**	Jegliche Staubtypen	Unterdruck in Leitungen	- 800 mbar max
IEMS	1.7 mm	Staub- konzentration	Unbegrenzt	Anzahl Rohrbögen	Unbegrenzt

* Maximal reduzierter Druck (Pred) im Behälter

** Staub organisch, Kunststoff oder Metall, innerhalb obiger Grenzen

Einsatztemperatur	
Standard: EPDM-Klappendichtung	-30°C bis +70°C / -22°F bis 158°F
Option : SILIKON-Klappendichtung	-10°C bis +180°C*** / 14°F bis 356°F***

***Achtung, mit einem Standard-Sensor ist die Einsatztemperatur auf 70°C / 158°F begrenzt. Ein optionaler Verriegelungssensor ist für bis zu 150°C / 302°F verfügbar.

5.3. BADA-VEX Installationsdaten (TAB-1) :

DN		Vmin	Lmin	Lmin +2m	Lmax
Ø160	(6")	0,70 m³	4,0 m	6,0 m	17 m
Ø160	(6")	1,35 m³	3,0 m	5,0 m	17 m
Ø180	(7")	0,70 m³	4,0 m	6,0 m	17 m
Ø180	(7")	1,35 m³	3,0 m	5,0 m	17 m
Ø200	(8")	1,35 m³	4,6 m	6,6 m	17 m
Ø250	(10")	1,35 m³	4,0 m	6,0 m	17 m
Ø300	(12")	2,90 m³	4,6 m	6,6 m	17 m
Ø350	(14")	2,90 m³	4,2 m	6,2 m	17 m
Ø400	(16")	4,50 m³	5,2 m	7,2 m	17 m
Ø450	(18")	4,50 m³	4,7 m	6,7 m	17 m
Ø500	(20")	6,05 m³	5,8 m	7,8 m	17 m
Ø550	(22")	6,05 m³	5,5 m	7,5 m	17 m
Ø600	(24")	7,65 m³	7,2 m	9,2 m	17 m
Ø650	(26")	7,65 m³	6,7 m	8,7 m	17 m
Ø700	(28")	7,65 m³	6,4 m	8,4 m	17 m
Ø750	(30")	10,00 m³	7,3 m	9,3 m	17 m
Ø800	(32")	10,00 m³	6,9 m	8,9 m	17 m

Vmin : Mindestvolumen der zu entkoppelnden Behälter.

Lmax : Maximaler Abstand der Installation.

Lmin : Mindestabstand bei Installation in einer horizontalen Rohrleitung ohne Rohrbögen, im Luftstrom mit Bewegliche Klappe.

Lmin +2m : Mindestabstand der Installation bei Vorliegen mindestens einer der folgenden Bedingungen :

- Klappe der durch ihr Federblatt System offen gehalten ist,
- Leitung mit Rohrbogen zwischen Behälter und Klappe,
- Klappe mit Neigung von über 10° (absolut) zur Horizontalen, mit folgenden Zusatzbedingungen :
 - Mindestabstand der Installation = Lmin + 2 m, wenn Abstand zwischen Rohrbogen und Klappe > 5 x Rohrdurchmesser, Oder
 - Mindestabstand der Installation = Lmin +2 m + 5 x Rohrdurchmesser, wenn Abstand zwischen Rohrbögen und Klappe < 5 x Rohrdurchmesser.

i Bei Installation der Klappe mit einer Neigung von über 10° (absolut) bezüglich der Horizontalen muss zwischen Rohrbogen und Klappe ein gerades Leitungsstück einer Mindestlänge von 5 x Rohrdurchmesser vorhanden sein (siehe Abbildung 16).

6. Funktionsweise der BADA-VEX-Rückschlagklappe

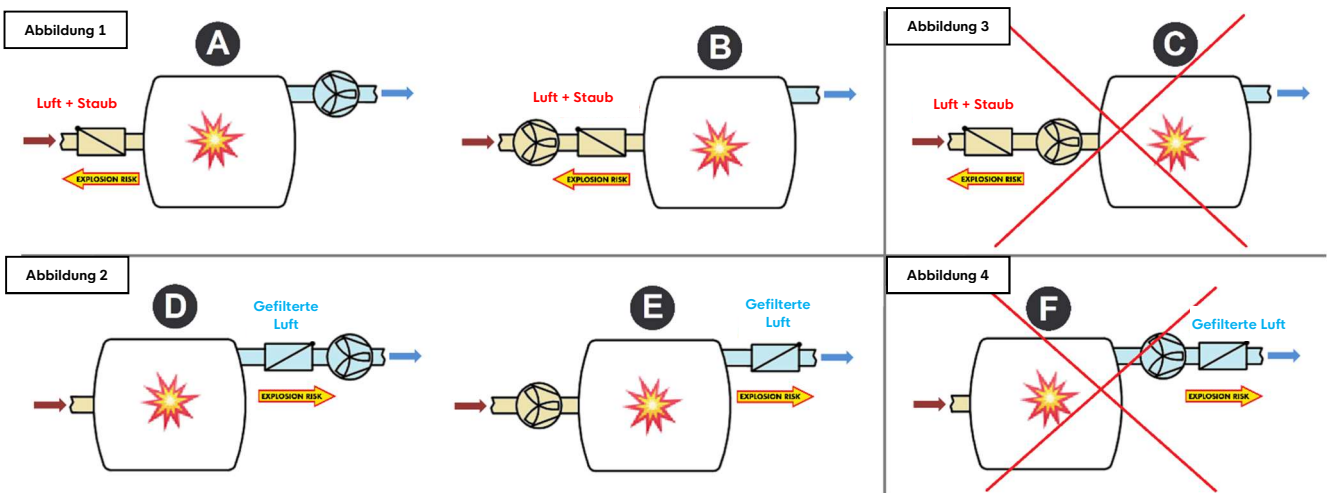
6.1. Regeln für den Luftstrom

Die BADA-VEX-Rückschlagklappe ist sowohl für den Schutz von Anlagen mit Unterdruck Luftstrom als auch von solchen mit Überdruck Luftstrom zertifiziert.

Die BADA-VEX kann auf Seite der staubhaltigen Luft in den Positionen A und B (Abbildung 1) oder auf Seite der gefilterten Luft in den Positionen D und E (Abbildung 2) installiert werden. In den Positionen D und E muss die BADA-VEX mit ihrem Federblatt offen haltenden System installiert werden.

Die Art des Luftstroms (Unter- oder Überdruck) hat keinen Einfluss auf die für die Installation vorgeschriebenen Mindestabstände.

i Die Positionen D und E sind für eine Rückleitung der Luft in die Gebäude vorgesehen. Es wird nicht empfohlen, die BADA-VEX in den Positionen C (Bild 3) und F (Bild 4) zu verwenden.



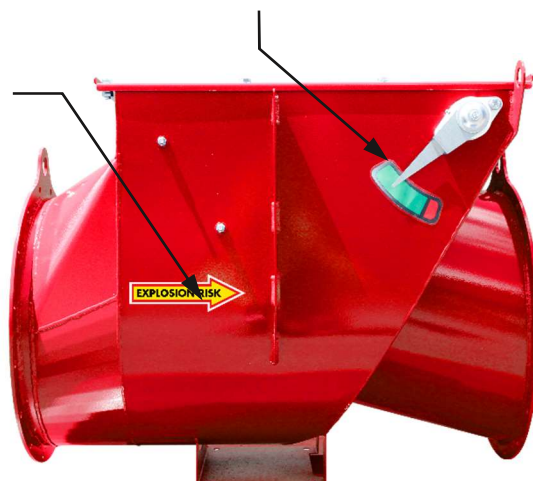
6.2. Richtung des Explosionsrisikos:



Die BADA-VEX in Richtung des Explosionsrisikos, das heißt, des Pfeils "EXPLOSION RISK" installieren. Dieser Pfeil zeigt die Ausbreitung der Explosion an, gegen welche die BADA-VEX-Rückschlagklappe entkoppeln soll, nicht den Arbeitsluftstrom.

Anzeige der Winkelposition der Klappe

Installationsrichtung



Arbeitsrichtung des Luftstroms

Gefilterter Luftstrom



D E

Staubhaltiger Luftstrom



A B

6.3. Funktionsmodi der BADA-VEX-Rückschlagklappe:



Die BADA-VEX kann in zwei Modi funktionieren, entweder mit im Luftstrom beweglicher Klappe (Abbildung 5) oder mit offen gehaltener Klappe (Abbildung 6). Es ist darauf zu achten, dass für die beiden Modi verschiedene Installationsabstände L_{min} und verschiedene Volumina für die Behälter, von der die Staubexplosion ausgehen kann, einzuhalten sind (siehe Tab-1 auf Seite 4).

Beweglich-Modus, die Klappe wird durch den Arbeitsluftstrom betätigt. Ist kein Luftstrom mehr vorhanden, so schließt die Klappe durch ihr Gewicht, jedoch ohne zu verriegeln.

Offenhalte-Modus, die Klappe wird durch ihr Federblatt-System in maximal offener Position gehalten. Dieser Modus ermöglicht die Installation der BADA-VEX-Rückschlagklappe im gefilterten Luftstrom, da sie einem Luftstrom von 30 m/s standhält ohne ihre Schließung auszulösen. Sie kann auch im staubhaltigen Luftstrom installiert werden, um bei schwächeren Luftströmen als 20 m/s Druckverluste zu vermeiden.

Es wird empfohlen, die BADA-VEX auf dem staubhaltigen Luftstrom in Beweglich-Modus (Explosionsrichtung gegen Arbeitsstrom) zu verwenden. Hingegen muss die BADA-VEX mit offen gehaltener Klappe auf dem gefilterten Luftstrom (Explosion und Arbeitsstrom in gleicher Richtung) in Richtung des "EXPLOSION RISK"-Pfeils installiert werden.

Abbildung 5

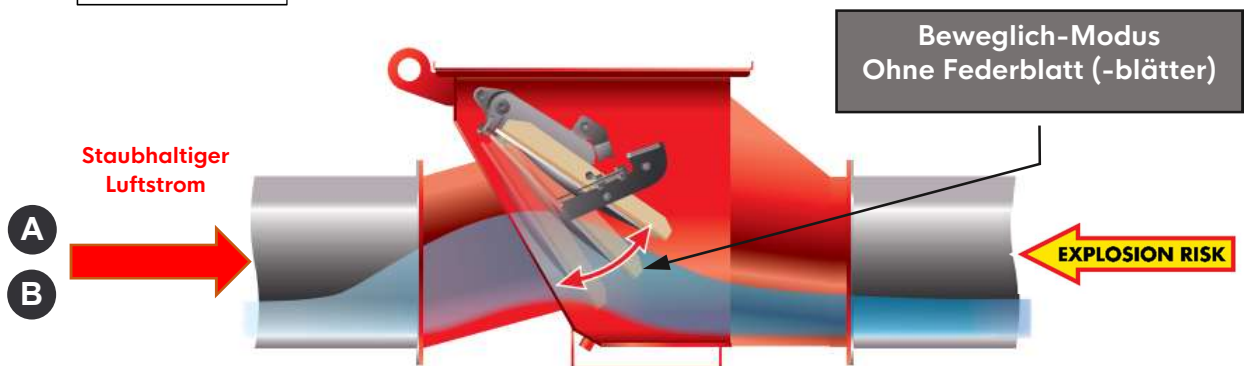
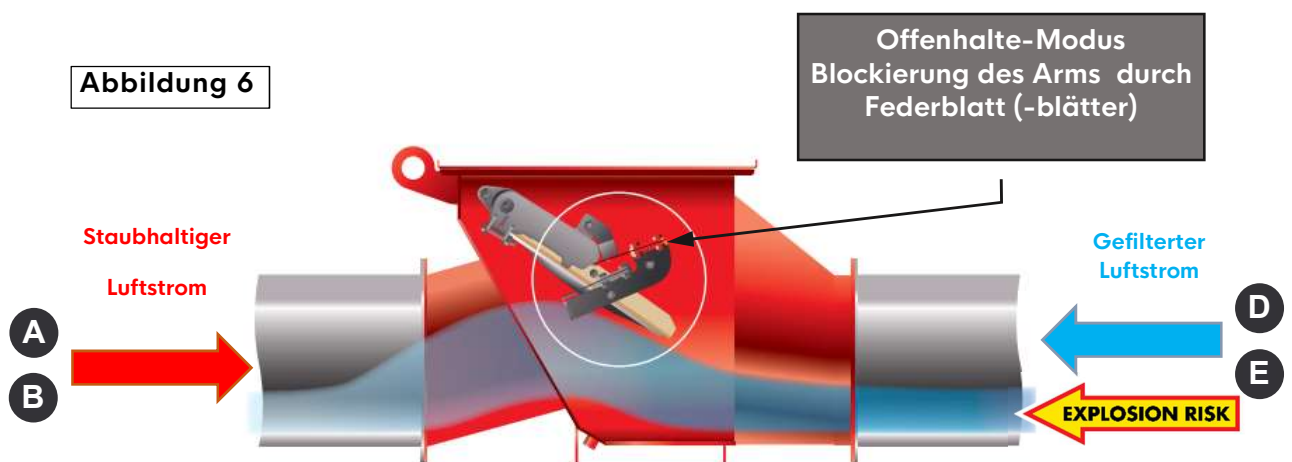
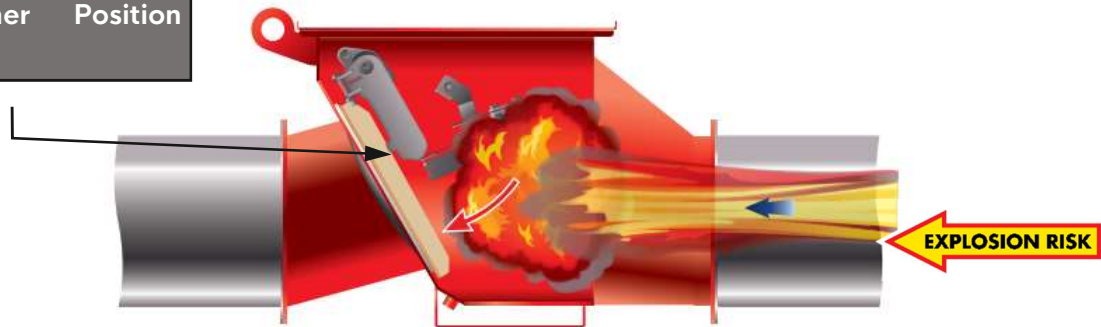


Abbildung 6



i Nur der Überdruck einer Explosion kann die Verriegelung der Klappe in geschlossener Position (Entkopplung) auslösen.

Der Klappenarm wird durch sein mechanisches Verriegelungssystem in geschlossener Position blockiert.



6.4. Einstellung des Funktionsmodus :

Die BADA-VEX wird vom Werk für den Einsatz mit offen gehaltener Klappe geliefert. Um auf Beweglich-Modus umzustellen, müssen die Schutzplatte entfernt und folgende Maßnahmen durchgeführt werden :



Vor Wegnahme der Schutzplatte ist sicherzustellen, dass die Anlage abgeschaltet ist (Ventilator dreht nicht).

6.4.1. Beweglich-Modus :

Um die BADA-VEX in Beweglich-Modus zu konfigurieren, sind die Blattfeder(n) wegzunehmen, so dass die Klappe frei beweglich ist (Abbildungen 7 und 7b).



Achtung ... der Klappenarm ist ein Teil der mobilen Entkopplungs-Baugruppe, welche für BADA-VEX einer Größe von \geq DN 400 (16") recht schwer ist. Bei ihrer Handhabung ist deshalb insbesondere darauf zu achten, nicht mit den Händen in den Bewegungsbereich und auch nicht in den Abdichtbereich der Klappe im Innern des Geräts zu greifen.

Abbildung 7

BADA-VEX mit beweglicher Klappe DN160 (6") bis DN450 (18")

Folgende Komponenten entnehmen :

- K) Federblatt
- L) Bolzen
- M) Schraube + Mutter
- N) Splint
- O) Federblatt + Halterung

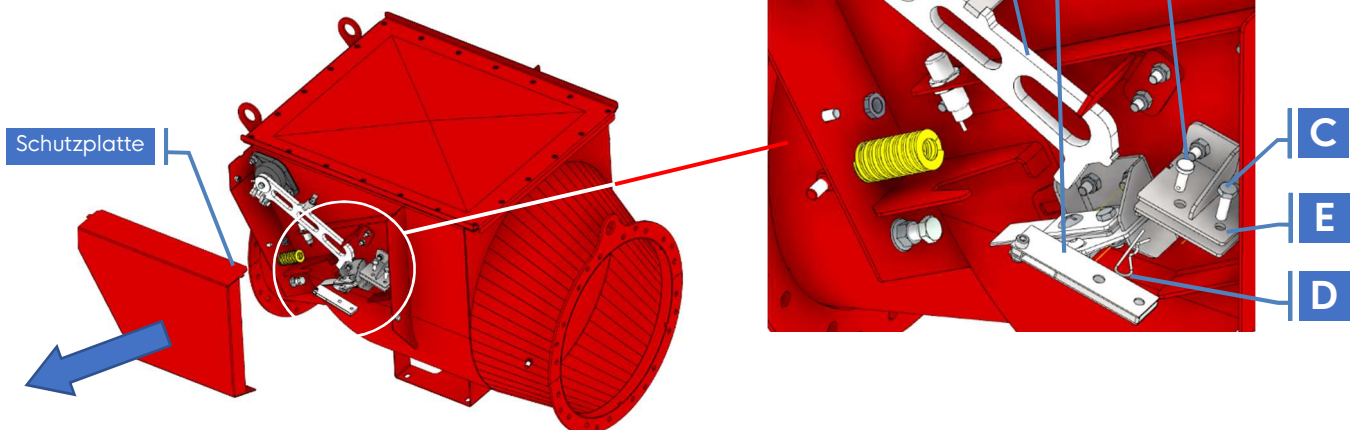
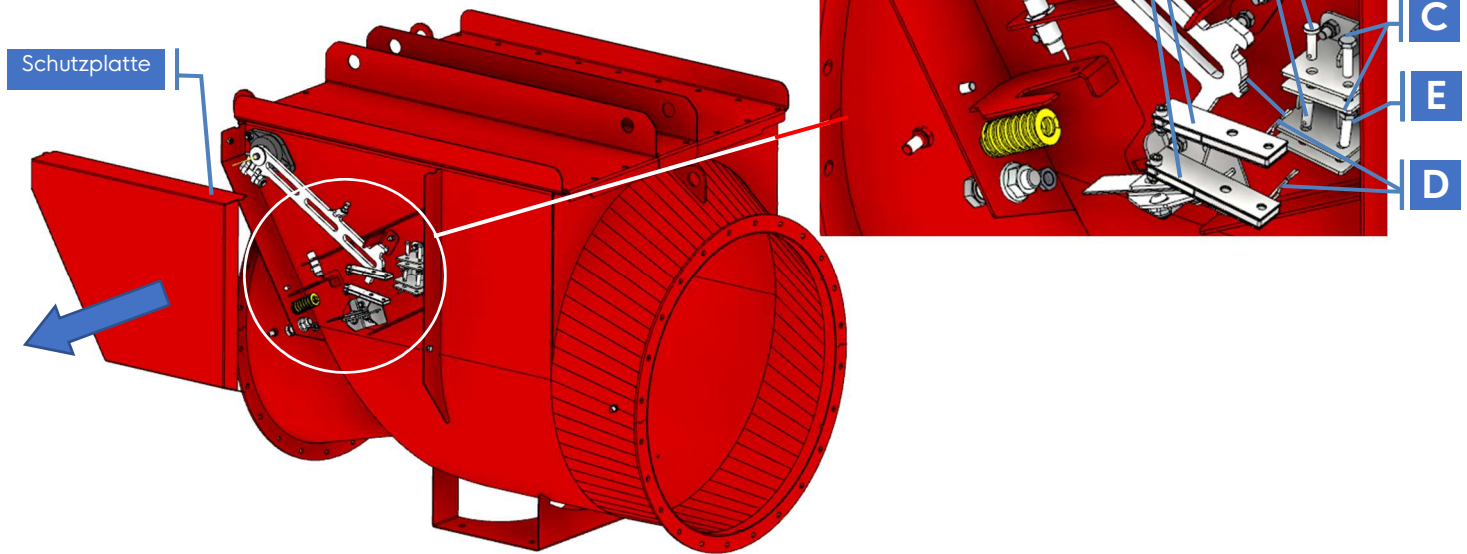


Abbildung 7b

**BADA-VEX mit beweglicher Klappe
DN500 (20") bis DN800 (32")**

Folgende Komponenten entnehmen :

- K) 2 Federblätter
- L) 2 Bolzen
- M) 2 Schrauben + Muttern
- N) 2 Splinte
- O) Federblatt + Halterung



6.4.2. Offenhalte-Modus :



Um die BADA-VEX-Rückschlagklappe in die Konfiguration mit offen gehaltener Klappe zurückzubringen oder Eingriffe am Klappenarm vorzunehmen, sind die Schutzplatte zu entfernen und folgende Maßnahmen durchzuführen :

5. Zur Konfiguration des Offenhalte-Modus müssen die Federblätter (Pkt. A) wieder auf ihren Halterungen (Pkt. E) montiert werden (in umgekehrtem Sinn wie bei ihrem in Abbildung 7 oder 7b beschriebenen Ausbau). Dann sind Schraube(n) und Mutter(n) mit 5 Nm festzuziehen und anschließend wieder um ¼-Drehung zu lösen.
6. Zur Positionierung der Klappe in Offenhalte-Modus (Abbildungen 8 und 8b) sind zunächst die Federblätter (Pkt. A) nach außen zu schieben, um den Klappenarm bis zum Anschlag (Pkt. F) bringen zu können. Dann sind die Federblätter unter den Klappenarm zu drehen, wonach der Arm freigegeben wird. Abschließend ist das Ganze mit den Bolzen (Pkt. B) und den Splinten (Pkt. D) zu verriegeln.



Die BADA-VEX darf nicht ohne ihre Schutzplatte verwendet werden.
Nach jeglichen Arbeiten muss die Schutzplatte wieder mit ihren Schrauben in richtiger Position befestigt werden.

Abbildung 8

BADA-VEX-Rückschlagklappe offen gehalten

1. Schritt Arm der Klappe in Anschlag bringen

Das Beispiel zeigt die BADA-VEX DN≤500 (20") mit doppeltem Federblatt. Die Maßnahme erfolgt in gleicher Weise für die anderen Größen, nur die Zahl der Federblätter ändert sich.

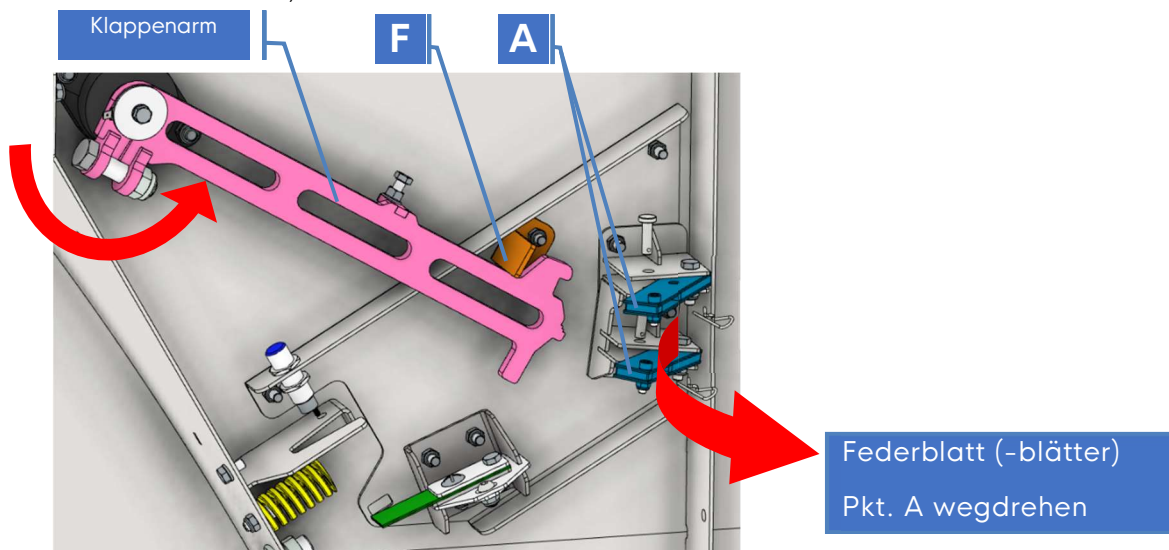
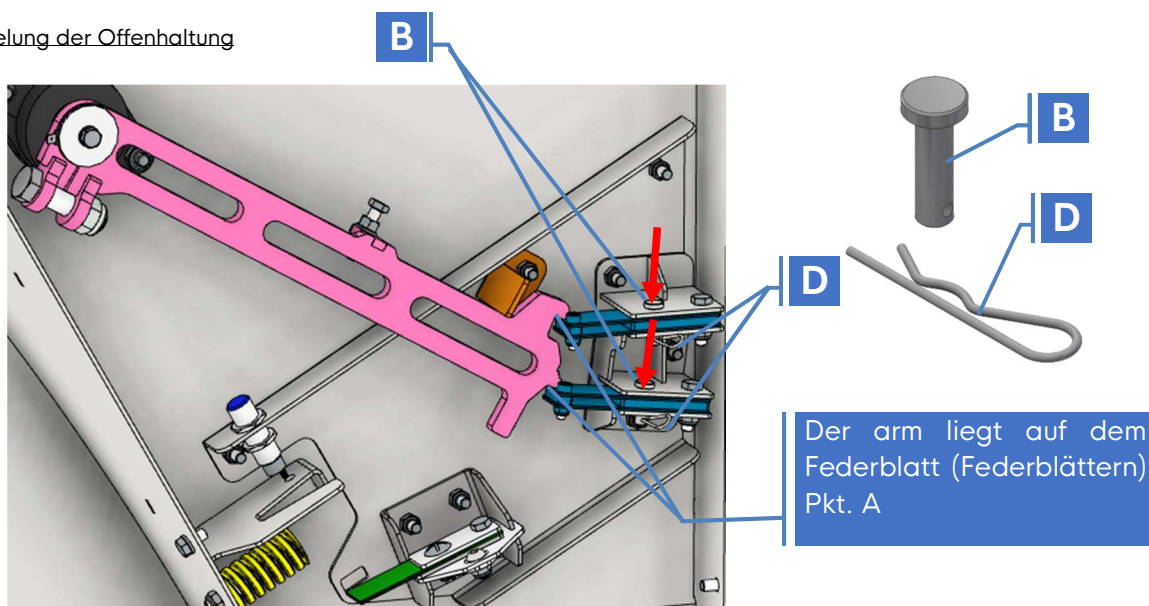


Abbildung 8b

2. Schritt Verriegelung der Offenhaltung



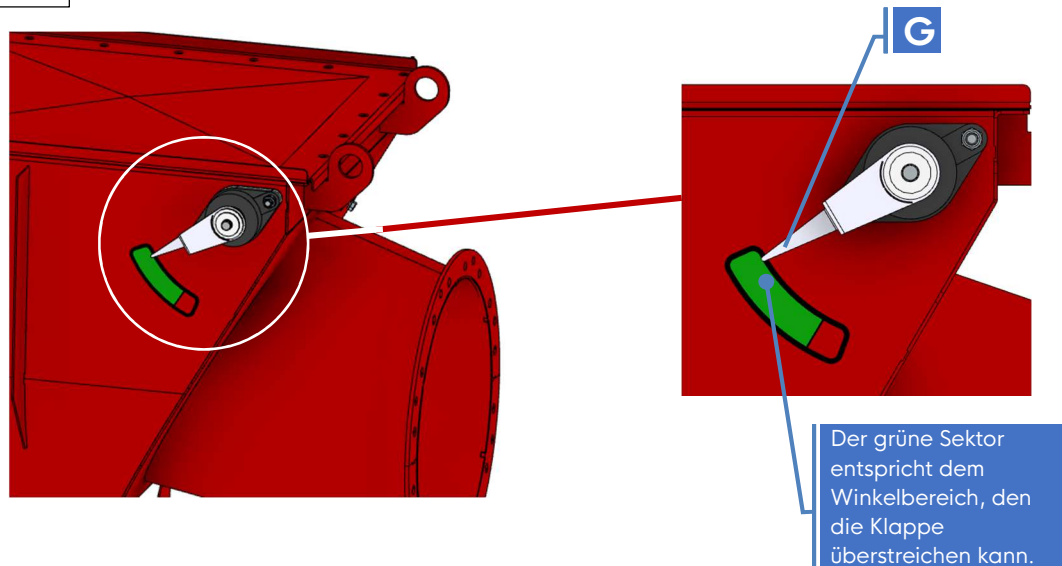
Das Blockierungssystem zum Offenhalten der Klappe ist bei verschiedenen BADA-VEX-Rückschlagklappen nicht das gleiche. Anzahl und Version der Federblätter (Pkt. A) sind in nachstehender Tabelle (Tab-2) festgelegt:

Reihe BADA-VEX	Ø160 bis Ø350 Ø6" bis Ø14"	Ø400 bis Ø450 Ø16" bis Ø18"	Ø500 bis Ø800 Ø20" bis Ø32"
Version pkt. A	flexibel	Weniger flexibel	Weniger flexibel
Qty Pkt. A	x1	x1	x2
Schema			

6.4.3. 4.4.3 Anzeiger der offenen Klappenposition :

Sowohl in Offenhalte-Modus als auch in Beweglich-Modus ist die Position vollständiger Klappenöffnung auf einer Winkelanzeige (Pkt. G, Abbildung 9) auf der Außenseite der BADA-VEX sichtbar. In offener Position befindet sich die Nadel (Pkt. G) im grünen Sektor ganz oben.

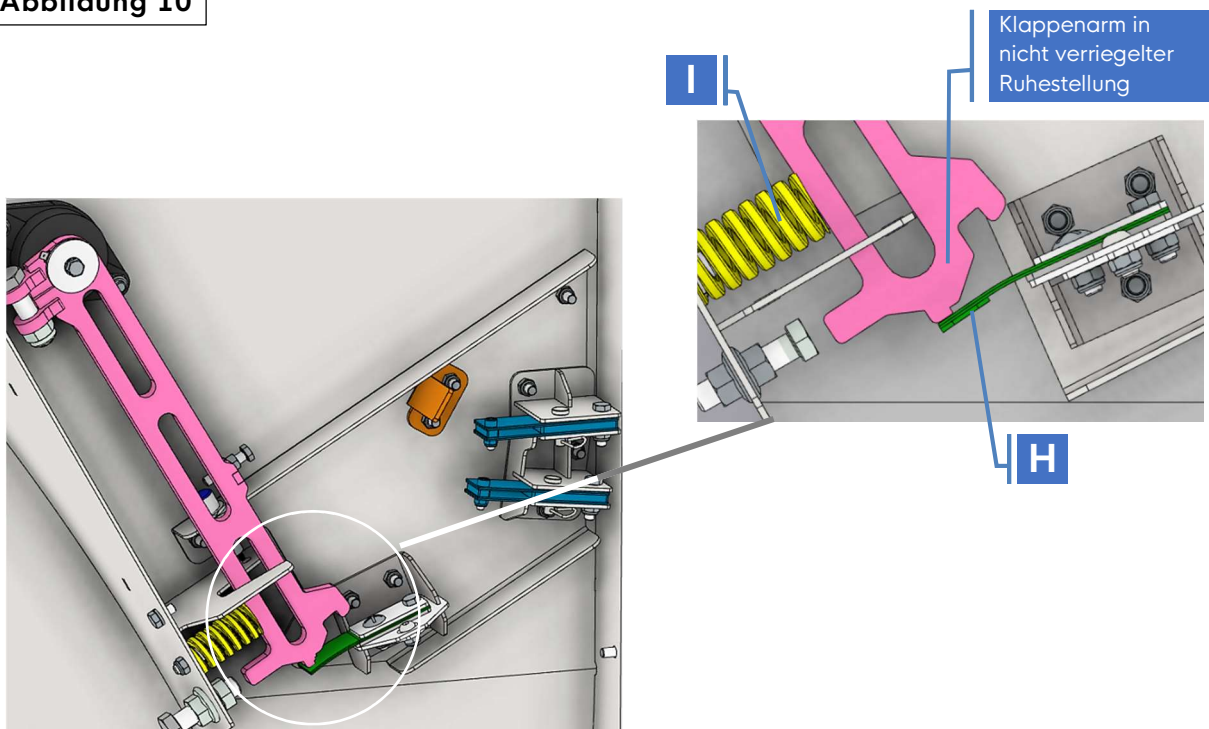
Abbildung 9



6.4.4. Ruhestellung der Klappe (nur bei Beweglich-Modus) :

In Beweglich-Modus wird die BADA-VEX-Rückschlagklappe durch den vom Ventilator erzeugten Luftstrom offen gehalten. Wird der Ventilator abgeschaltet, so kehrt der Klappenarm zur Ruhestellung auf dem Verriegelungsblatt (Pkt. H) zurück und wird durch die Feder(n) (Pkt.I) am Verriegeln gehindert (Abbildung 10).

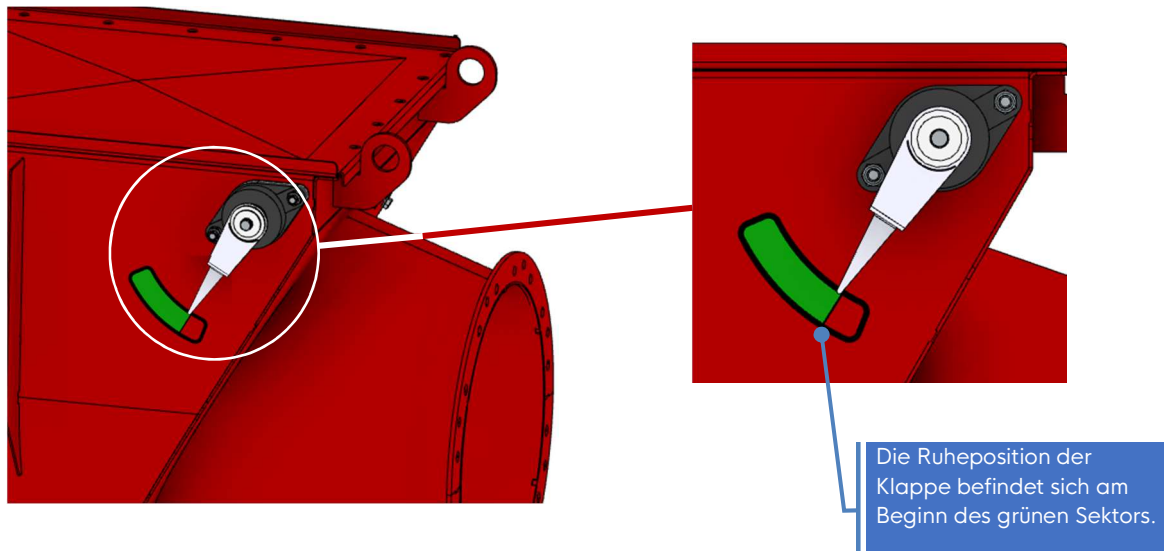
Abbildung 10



6.4.5. Anzeige der Ruhestellung der Klappe :

In Ruhestellung befindet sich die Nadel (Pkt. G) am Beginn des grünen Sektors, an der Grenze zum roten Sektor (Abbildung 11).

Abbildung 11

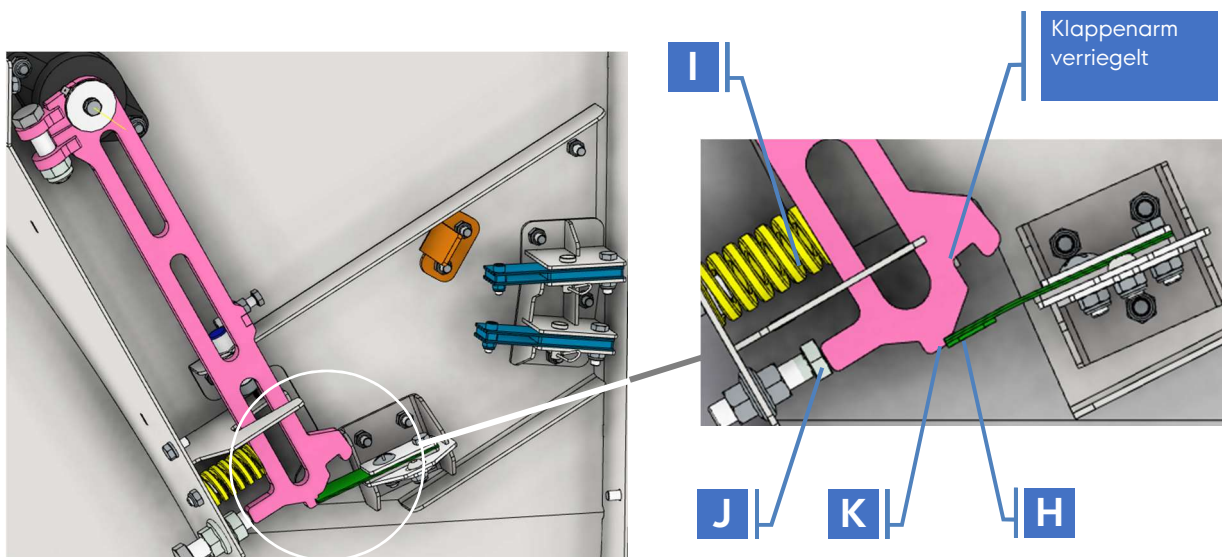


6.4.6. Verriegelung der Klappe in Entkopplungsposition :

Die Verriegelung der Klappe kann eintreten, entweder bei einer Explosion in dem zu entkoppelnden Volumen, oder bei einer Strömungsgeschwindigkeit von > 35 m/s, wenn die BADA-VEX in Leitungen gefilterte Luft (Position **D** in Abbildung 2) installiert ist. In diesem Fall komprimiert der Klappenarm die Feder(n) (Pkt. I) bis zum Anschlag (Pkt. J), so dass sich das Verriegelungsblatt (Pkt. H) auf dem Anschlag des Klappenarms (Pkt. K) positionieren kann (Abbildung 12).

- i** Zum Entriegeln der Klappe, muss die Feder (Pkt. I) mit dem Klappenarm komprimiert werden, wonach auf das Verriegelungsblatt (Pkt. H) zu drücken ist, um die mobile Baugruppe freizusetzen.

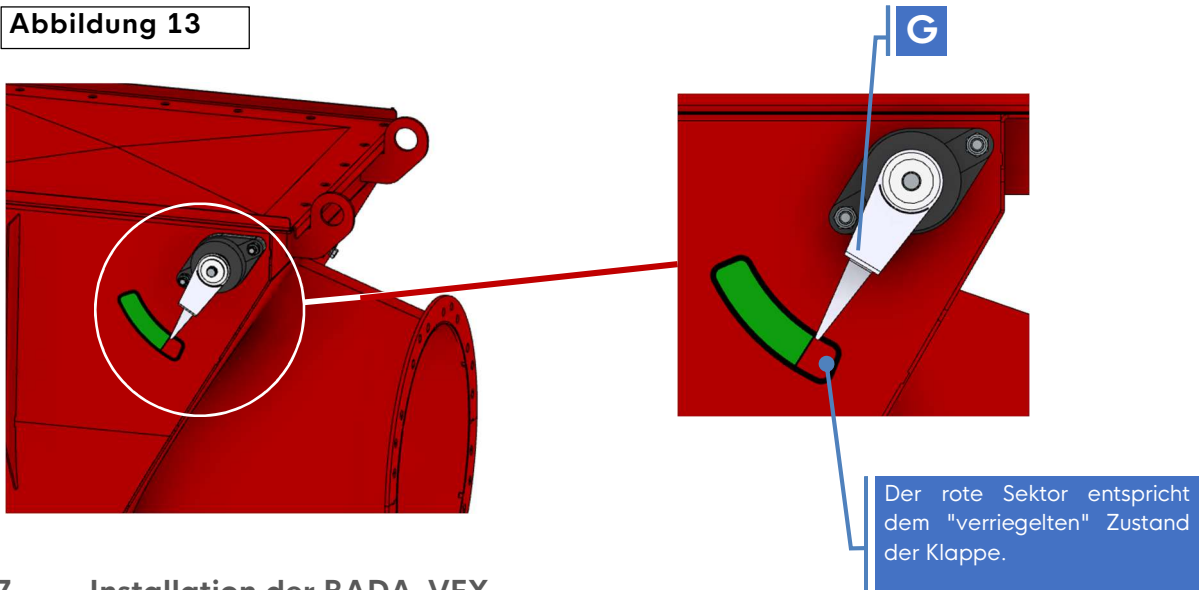
Abbildung 12



6.4.7. Anzeige verriegelter Klappenposition :

Bei verriegelter Position der Klappe (Entkopplung) befindet sich die Nadel (Pkt. G) im roten Bereich (Abbildung 13).

Abbildung 13



7. Installation der BADA-VEX



Überprüfungen vor der Installation:

Der Installateur muss vor der Montage überprüfen, dass die gelieferte Ausrüstung nicht beschädigt worden ist.

Die Installation der BADA-VEX muss von Personal ausgeführt werden, das mit den Mindestvorschriften zur Verbesserung des Gesundheitsschutzes und der Sicherheit durch explosionsfähige Atmosphären gefährdeten Personals (Richtlinie 1999/92/EG) vertraut ist.

Die Rohrleitungen zur BADA-VEX-Rückschlagklappe und die von dieser weggehenden Leitungen müssen gleiche Festigkeit wie die BADA-VEX selbst, das heißt, gegen 2 bar aufweisen.

7.1. Vorschriften zur Installation der BADA-VEX :

27. Zur Handhabung der BADA-VEX immer deren Hebeösen (Pkt. O) verwenden (Abbildung 19).
28. Die durch die Größe der BADA-VEX bestimmten Installationsabstände L_{min} , L_{max} und die Volumen V_{min} (Abbildung 16, 17, 18 und siehe TAB-1) sind einzuhalten.
29. Die BADA-VEX-Rückschlagklappe auf einem speziellen Untersatz so installieren, dass die Rohrleitungen durch das Gewicht der BADA-VEX in keiner Weise belastet werden.
30. Die M10-Schrauben der Verschlussplatte (Pkt. P), müssen mit einem Drehmoment von 20 Nm festgezogen werden, um die Abdichtung der BADA-VEX zu sichern (Abbildung 19).
31. Die Dichtungen zwischen den Flanschen der BADA-VEX-Rückschlagklappe und den Flanschen der Anschlussrohre einsetzen.
32. Mit dem für die Größe der durch die Bohrungen der Verbindungsflansche geführten Schrauben vorgeschriebenen Drehmoment festziehen (TAB-3).

Schraube Festigk.-Klasse ≥ 6.8	Festziehdrehmoment
M6	5 Nm
M8	10 Nm
M10	20 Nm

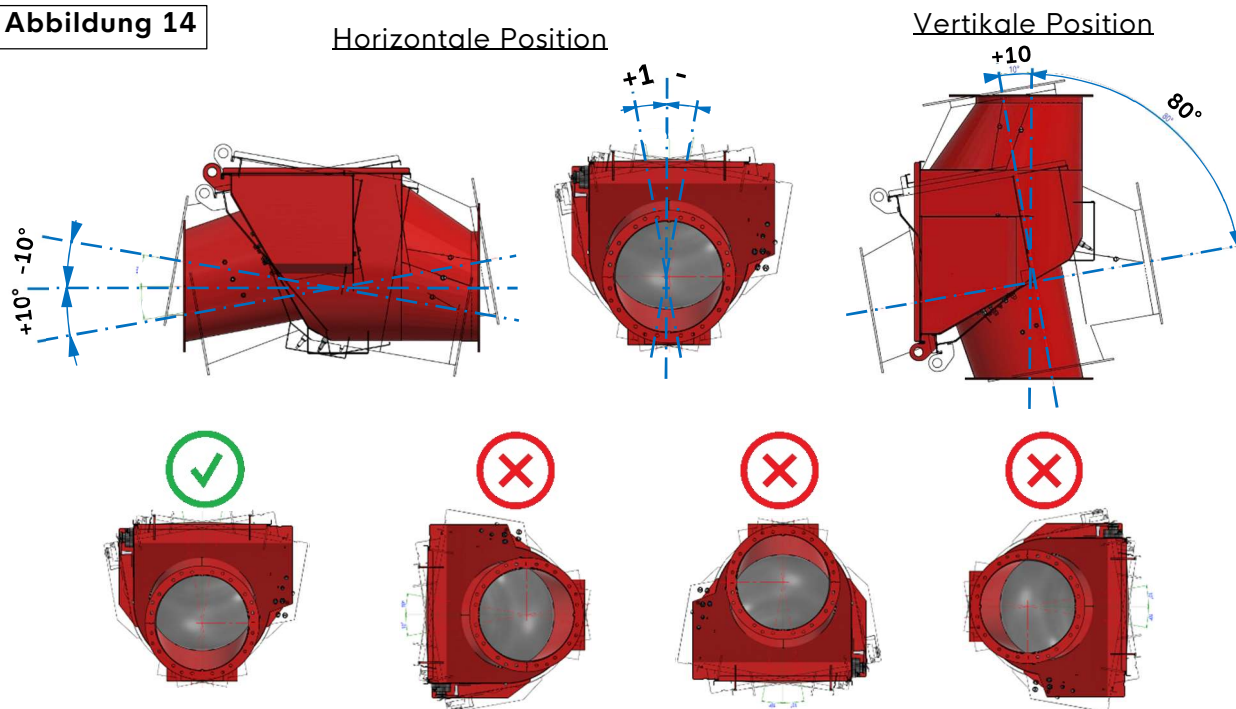
33. Vor Inbetriebnahme der BADA-VEX ihre Funktionsweise wählen (siehe Abschnitt 4 - Funktionsweise der BADA-VEX).



Zur Erinnerung: Die BADA-VEX-Rückschlagklappe wird ab Werk für Funktion mit offengehaltener Klappe geliefert.

34. Die Winkeltoleranzen für horizontale oder vertikale Installation der BADA-VEX-Rückschlagklappe einhalten (Abbildung 14).

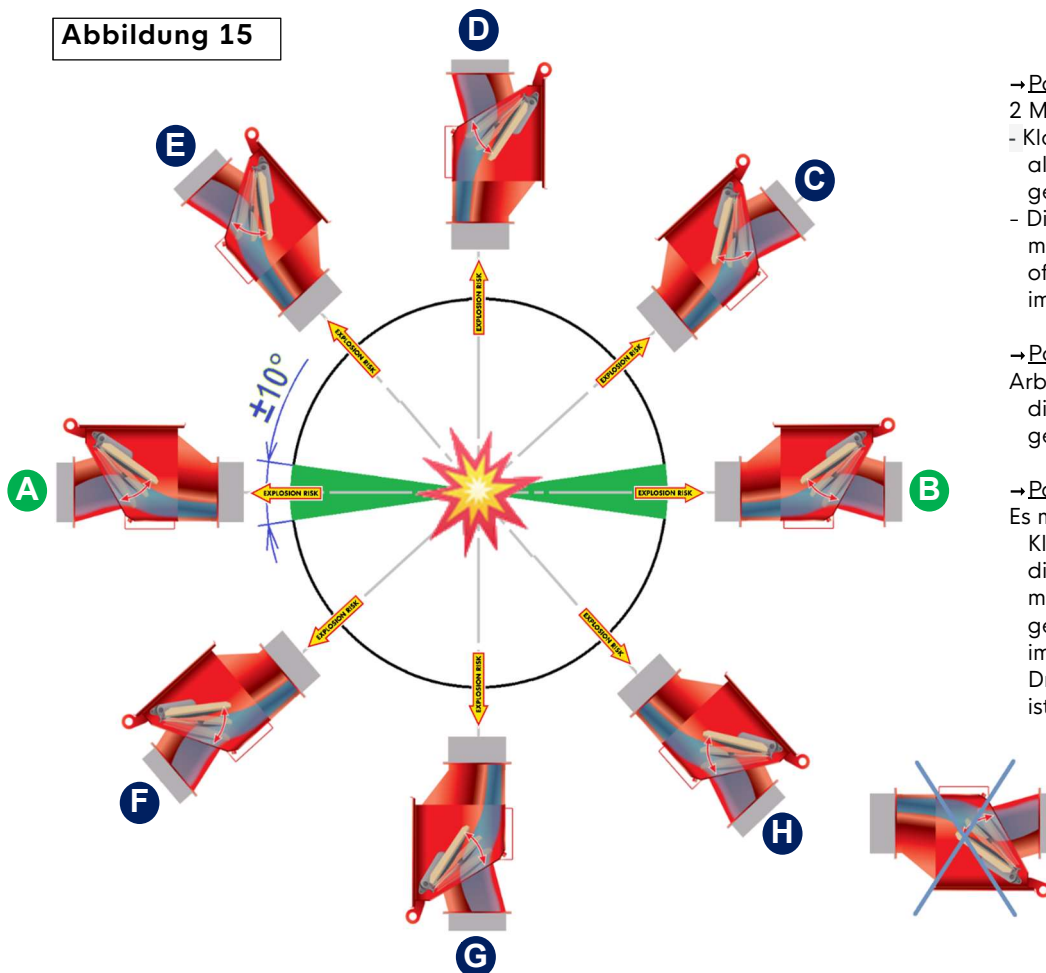
Abbildung 14



35. Zulässige Orientierungen der BADA-VEX-Rückschlagklappe für horizontale und vertikale Installation (Abbildung 15).

- Die Ansichten A und B entsprechen der horizontal $\pm 10^\circ$ installierten BADA-VEX.
- Die Ansichten C, D, E, F, G und H entsprechen der geneigt oder vertikal installierten BADA-VEX (mehr als $\pm 10^\circ$ von der Horizontalen).

Abbildung 15



→ Position **A** bis **E** & **B** bis **C**
 2 Möglichkeiten zu arbeiten :
 - Klappe in Schwimmstellung, also durch Luftstrom geöffnet.
 - Die Klappe wird durch ein mechanisches System offen gehalten, ist also immer offen.

→ Position **C** bis **D** & **E** bis **D**
 Arbeiten Sie immer mit durch die Schwerkraft offen gehaltener Klappe.

→ Position **A** bis **G** & **B** bis **G**
 Es muss immer mit einer Klappe gearbeitet werden, die durch das mechanische System offen gehalten wird, damit sie immer offen ist (wenn der Druckabfall nicht zu hoch ist).

36. Einzuhaltende Vorschriften hinsichtlich des Sicherheitsabstands zwischen BADA-VEX und abzukoppelndem Volumen:

- Das System funktioniert mit Rohrbögen auf Zu- und Ableitung der BADA-VEX-Rückschlagklappe, wobei hinsichtlich deren Anzahl und Positionierung keine Einschränkungen bestehen, soweit die Grenzwerte der Installationsabstände L_{min} und L_{max} eingehalten werden (siehe TAB 1).
- Der Abstand L_{max} beträgt 17 m unter Einschluss aller Leitungselemente (insbesondere die Rohrbögen) und wird in der Nulllinie (Achse) der Leitungen gemessen.

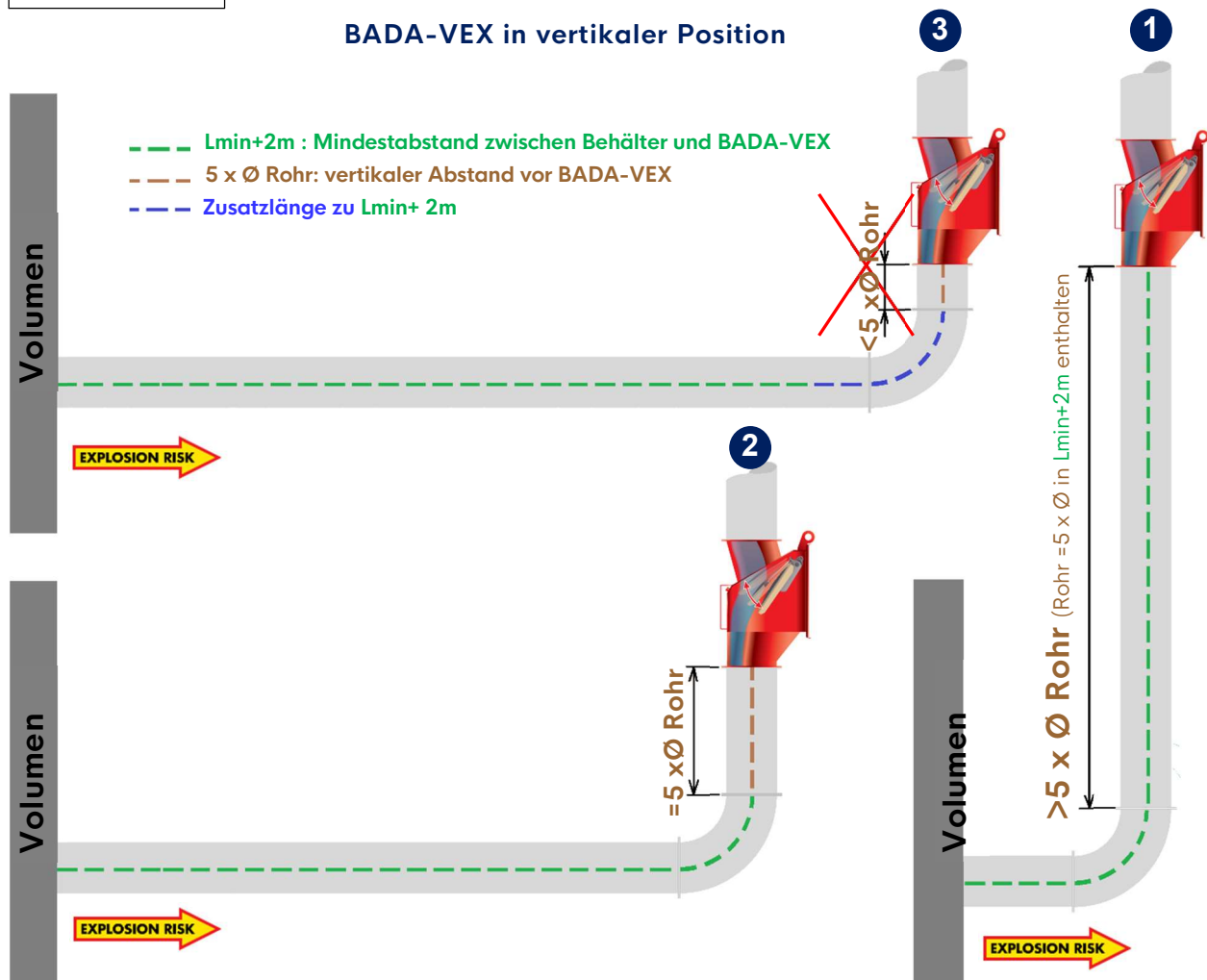
L_{min} : Beweglichen Klappe auf gerader horizontaler ($\pm 10^\circ$) Rohrleitung ohne Rohrbögen (Abbildung 17, siehe TAB 1).

$L_{min} + 2m$: Von ihrem mechanischen System offen gehaltene Klappe (Abbildungen 17 & 18, siehe TAB 1),

- Rohrleitung mit Rohrbogen zwischen Behälter und Klappe, horizontale Klappe $\pm 10^\circ$ (Abbildung 18, siehe TAB 1),
- Rohrleitung mit Rohrbogen zwischen Behälter und Klappe, vertikale Klappe über $\pm 10^\circ$, folgende Bedingungen einhalten (Abbildung 16, siehe TAB 1) :

- 1 * Mindestabstand der Installation = $L_{min} + 2 m$, wenn der Abstand zwischen Rohrbogen und Klappe $> 5 \times$ Rohrdurchmesser ist, Oder
- 2 * Mindestabstand der Installation = $L_{min} + 2 m + 5 \times$ Rohrdurchmesser, wenn der Abstand zwischen Rohrbogen und Klappe = $< 5 \times$ Rohrdurchmesser ist.
- 3 * Auf keinen Fall kann die BADA-VEX in vertikaler Position mit einer kleineren geraden Länge zwischen Rohrbogen und Klappe als $5 \times$ Rohrdurchmesser installiert werden.

Abbildung 16



37. Bedingungen für horizontale Installation der BADA-VEX :

L_{min} : bewegliche Klappe auf gerader horizontaler Rohrleitung ohne Rohrbögen (Abbildung 17, siehe TAB 1).

$L_{min} + 2m$: Klappe der durch ihr Federblatt System offen gehalten ist (Abbildung 17, siehe TAB 1) :

- Rohrleitung mit Rohrbogen auf Zu- und/oder Ableitung der Klappe,
- Klappe horizontal $\pm 10^\circ$ (Abbildung 18).

Abbildung 17

BADA-VEX horizontal, gerade Rohrleitung

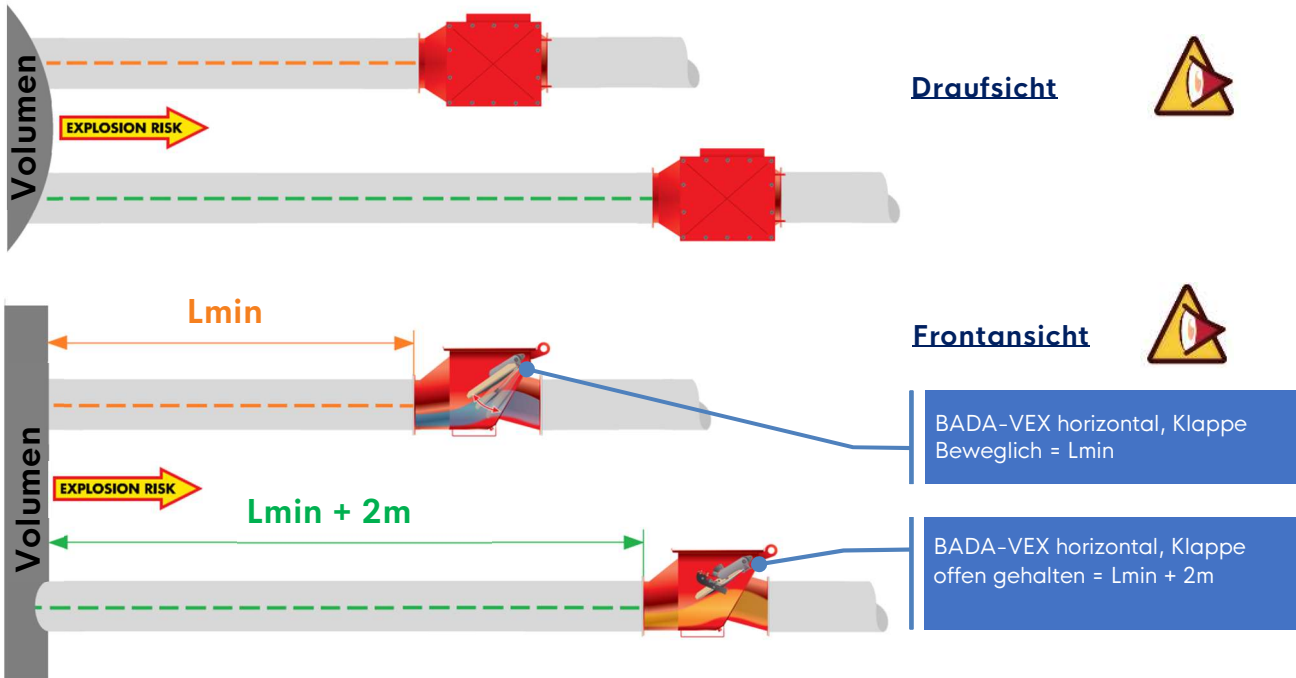
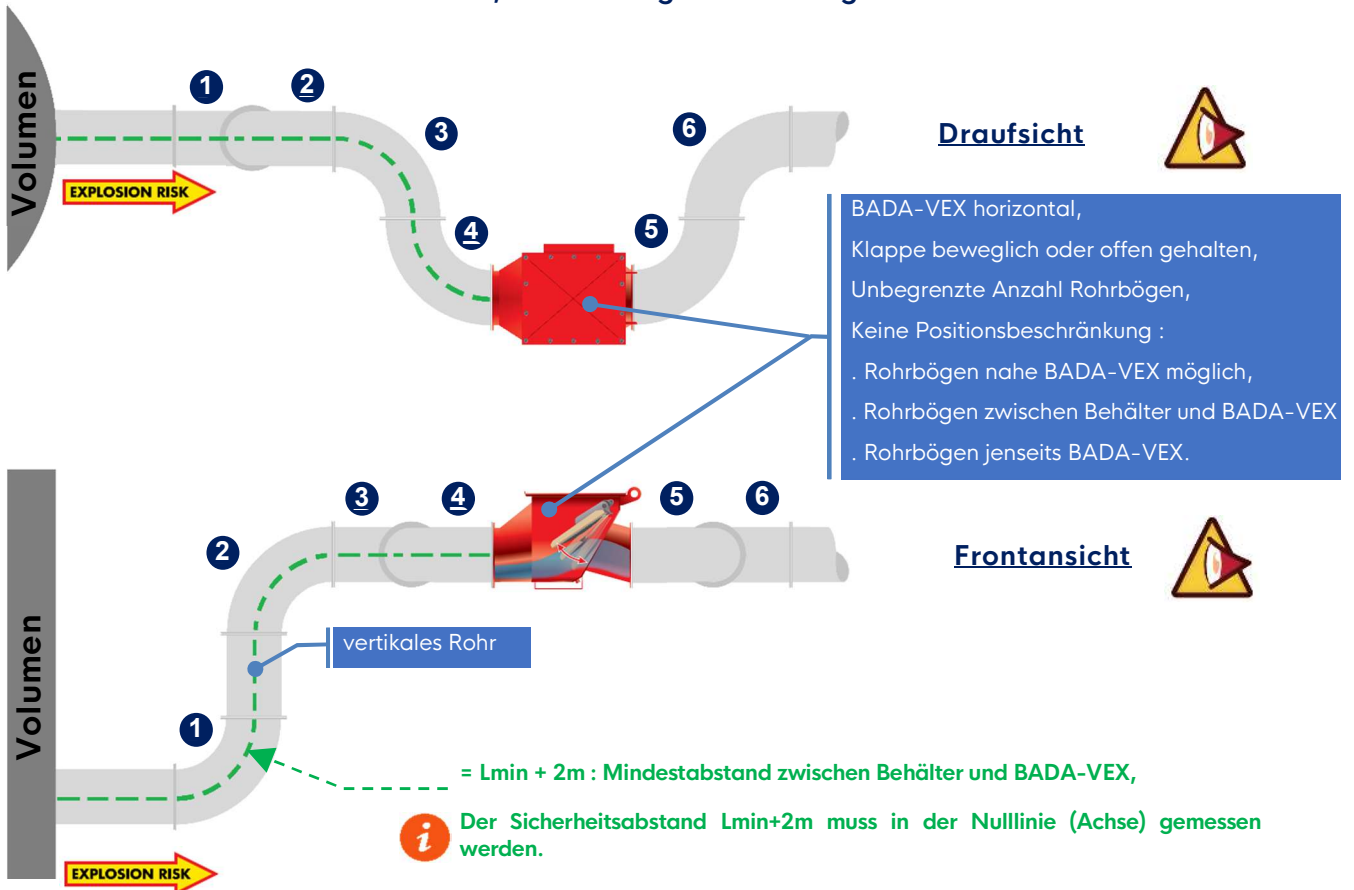


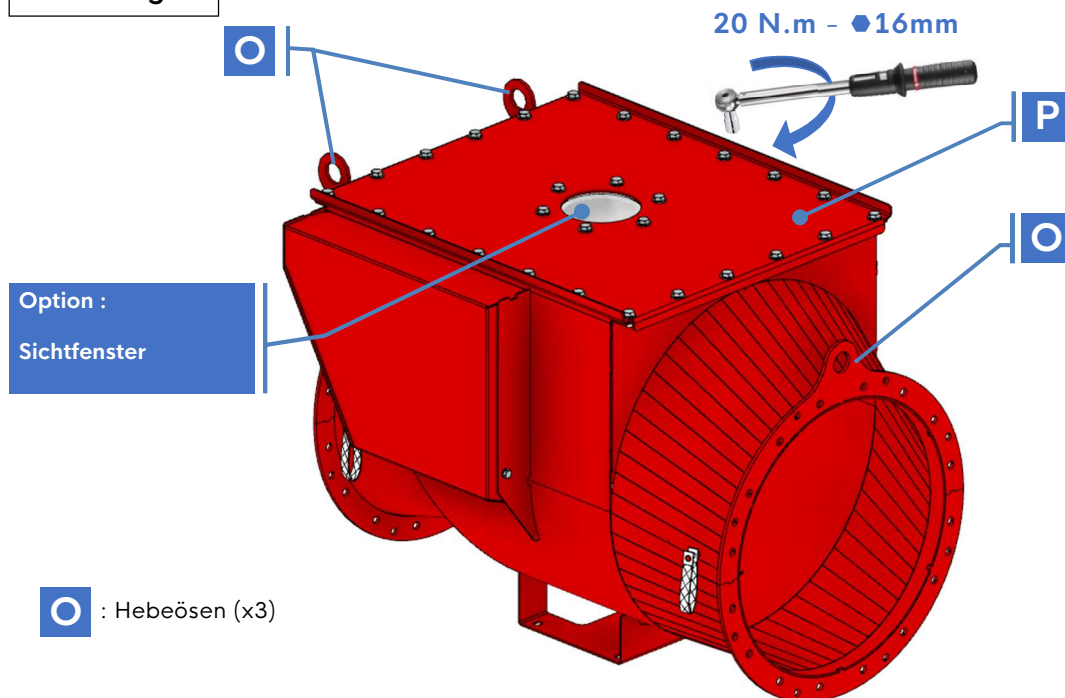
Abbildung 18

BADA-VEX horizontal, Rohrleitung mit Rohrbögen



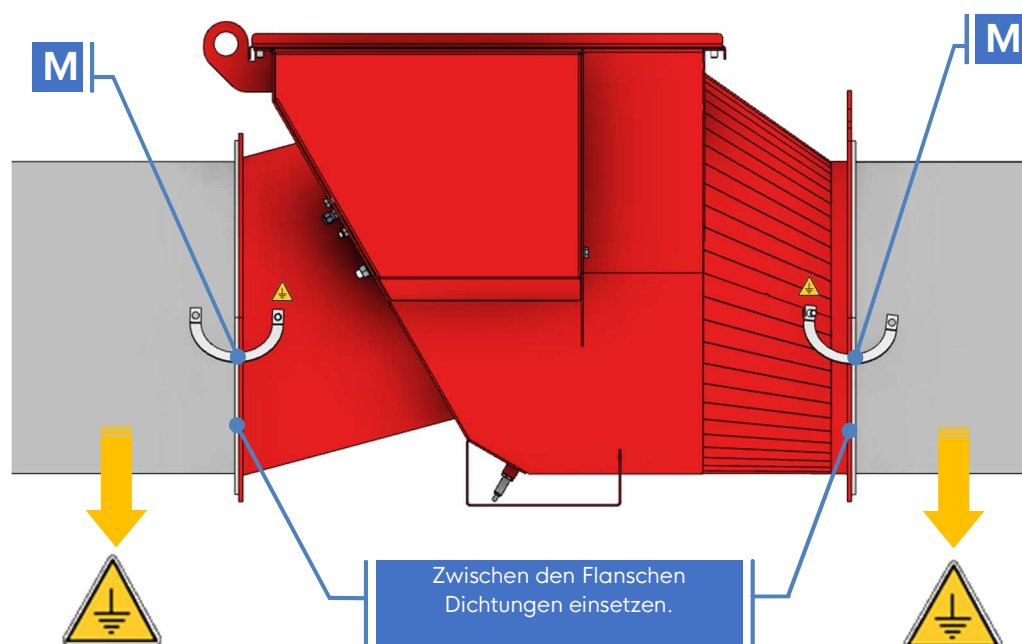
38. Die Verschlussplatte (Pkt. P) ist im Werk befestigt. Nach jeder Überprüfung sind alle ihre M10-Schrauben mit einem Drehmoment von 20 Nm festzuziehen.

Abbildung 19



39. Die beiden Erdungsbänder (Pkt. M) der BADA-VEX-Rückschlagklappe sind mit den Zu- und Ableitungsrohren zu verbinden (Abbildung 20). Vor der Inbetriebnahme der BADA-VEX-Rückschlagklappe sind Stromdurchgang und Erdung zu prüfen.

Abbildung 20



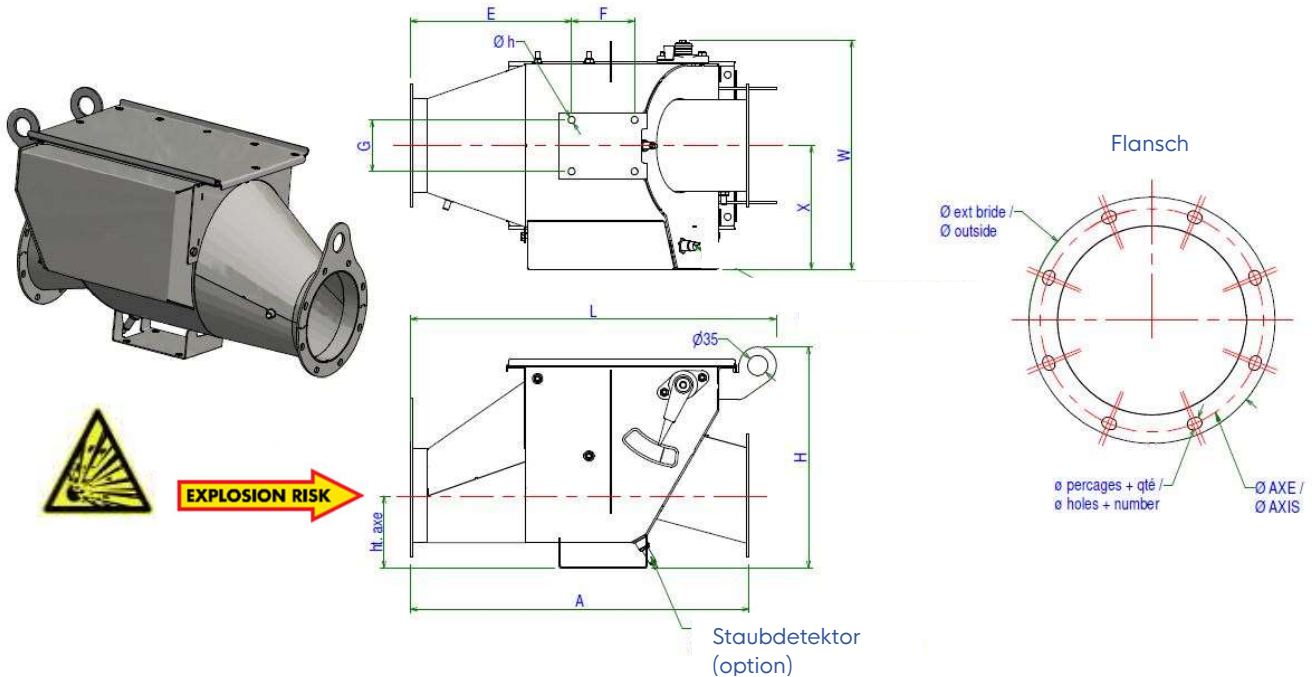
8. Gesamtabmessungen (die Aufzählung der Modelle ist nicht vollständig)

Die Reihe BADA-VEX umfasst 7 Hauptkörper.

Die Bezugskörper sind in den Tabellen TAB-4 und TAB-5 mit x bezeichnet, sie können jeweils mit einem oder zwei zusätzlichen Anschlussmaß(en) angeboten werden.

Die Abmessungen der kreisförmigen Anschlüsse können in metrischen (TAB-4) oder angelsächsischen Maßeinheiten (TAB-5) ausgedrückt werden.

Die Bezeichnung der BADA-VEX entspricht ihrem kreisförmigen Anschluss, zum Beispiel DN 200.



8.1. Reihe BADA-VEX metrisch « DN » (TAB-4)

Ø BADA-VEX		Gesamtabmessungen				Flansch				Rohr		Montagestütz				Gew. Kg
Rohr DN	Körper	L	H	W	X	Ø ext.	Ø Achse	Pkt.	Ø Löcher	A	Ht Achse	E	F	G	Ø h Löcher	
		mm	mm	mm	mm	mm	mm		mm	mm	mm	mm	mm	mm	mm	
160	x	640	386	400	216	215	195	8	10	591	126	282	110	90	12	21
180		612				235	215	8	10	531	136	254				
200		857	466	490	261	255	235	12	10	857	138	325	160	140	12	35
250	x	717				305	285	12	10	671	163	253				33
300		966	575	590	311	355	336	12	10	966	197	373	160	160	12	44
350	x	817				415	389	12	12	776	222	302				50
400		1088	705	740	385	465	439	16	12	1089	249	431	180	260	12	81
450	x	945				515	489	16	12	893	274	359				77
500		1197	815	840	434	565	540	16	12	1 199	309	441	200	300	12	106
550	x	1045				615	590	16	12	996	334	369				104
600		1549	1038	992	508	665	640	16	12	1549	366	588	200	400	12	150
650		1363				715	690	24	12	1364	391	517				150
700	x	1207				785	750	24	12	1155	416	446				150
750		1751	1213	1200	602	835	800	24	12	1752	443	514	400	500	12	285
800	x	1563				885	850	24	12	1564	468	442				285

8.2. Reihe BADA-VEX angelsächsisch « DN » (TAB-5)

Ø BADA-VEX		Gesamtabmessungen				Flansch						Rohr		Montagestütz				Gew. Kg
Rohe DN	Körper	L	H	W	X	Ø ext.	Ø Achse		Pkt.	Ø Löcker		A	Ht Achse	E	F	G	Ø h Löcker	
		mm	mm	mm	mm	mm	mm	mm	inch		mm	inch	mm	mm	mm	mm	mm	
6"	x	649	386	400	216	209	185,7	7-5/16	6	7,1	9/32	628	120	291	110	90	12	21
7"		616				238	215,9	8-1/2	6	9,5	3/8	559	133	258				20
8"		857	466	490	261	263	242,9	9-9/16	6	9,5	3/8	857	138	325	160	140	12	35
10"	x	717				327	300	11-13/16	6	11,1	7/16	670	163	253				33
12"		966	575	590	311	384	355,6	14	8	11,1	7/16	965	197	373	160	160	12	50
14"	x	817				435	406,4	16	8	11,1	7/16	776	222	302				50
16"		1089	705	740	385	486	457,2	18	8	11,1	7/16	1089	249	431	180	260	12	81
18"	x	945				536	508	20	8	11,1	7/16	893	274	359				77
20"		1199	815	840	434	587	552,5	21-3/4	12	11,1	7/16	1199	309	441	200	300	12	110
22"	x	1039				638	603,3	23-3/4	12	11,1	7/16	981	336	364				110
24"		1541	1038	992	508	689	657,2	25-7/8	12	11,1	7/16	1538	368	582	200	400	12	178
26"		1353				766	720,7	28-3/8	16	11,1	7/16	1353	393	512				170
28"	x	1200				816	771,5	30-3/8	16	11,1	7/16	1138	419	438				170
30"		1739	1213	1200	602	867	822,3	32-3/8	16	11,1	7/16	1739	444	508	400	500	12	285
32"	x	1548				918	873,1	34-3/8	16	11,1	7/16	1545	470	435				285

9. Sensor geschlossener Klappenposition

Die BADA-VEX-Rückschlagklappe verfügt über einen induktiven Sensor, der anzeigt, dass die Klappe geschlossen ist (Abbildung 21). Das Sensorsignal ändert seinen Zustand bei Einstellen der Stellschraube (Pkt. Q).



Die BADA-VEX ist standardmäßig mit einem Sensor für nicht explosionsgefährdete Umgebungen ausgerüstet. Eine optimale Version ist für Zonen II 2 D explosionsgefährdeter Bereiche verfügbar.

Je nach Größe der BADA-VEX-Rückschlagklappe sind auch die Sensoren verschieden groß :

- Induktiver Sensor Ø12 für DN≤350 (DN≤14")
- Induktiver Sensor Ø18 für DN≥400 (DN≥16")

Wir empfehlen, den Sensor an einem akustischen und/oder visuellen Alarmsystem, oder auch an einer Prozesssteuerung anzuschließen, so dass die Verriegelung der Klappe infolge einer Explosion oder einer anderen ungewöhnlichen Situation sofort gemeldet wird.

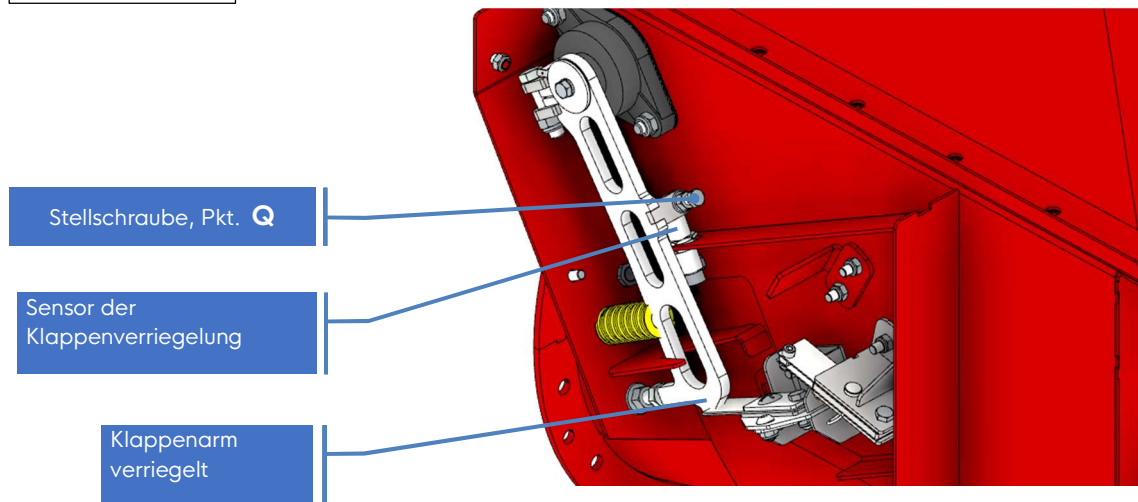


Der Sensor ist ausfallsicher geschaltet, das heißt, der Kontakt ist geschlossen (NC), wenn die BADA-VEX nicht verriegelt ist.



Die Einstellung des Sensors erfolgt im Werk. Soll er ersetzt werden, so muss vor Positionierung der Schraube (Pkt. Q) in Nachweisposition eine Verriegelung des Klappenarms in geschlossener Position veranlasst werden. Die austretende Länge der Schraube (Pkt. Q) muss unter Beobachtung des Zustands des Sensorsignals (dessen Erlöschen) geändert werden, wonach zur Fixierung der Einstellung die Gegenmutter festzuziehen ist.

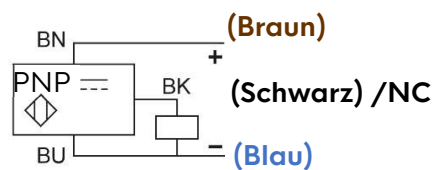
Abbildung 21



9.1. Standard-Positionssensor Ø12 außerhalb ATEX-Zone (DN≤350 - DN≤14") :

Versorgungsspannung :	Ue 12...48 V DC
Max. Stromaufnahme :	Ie 200 mA
Schutzart :	IP68
Digitalausgang :	NC
Digitalausgangstyp :	PNP
Umgebungstemperatur :	-25°C<Ta<+70°C
Kabel :	2 m - 3 Leiter von 0,34 mm ²
Kontroll-LED :	Ausgangszustand 1 gelbe LED

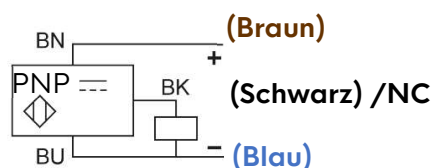
i Schaltbild : +BN, -BU, Last BK/BU



9.2. Optionaler Positionssensor Ø12 für ATEX-Zone - Ex II 2 D (DN≤350 - DN≤14") :

Versorgungsspannung :	Ue 12...48 V DC
Max. Stromaufnahme :	Ie 200 mA
Schutzart :	IP68
Digitalausgang :	NC
Digitalausgangstyp :	PNP
Umgebungstemperatur :	-20°C<Ta<+60°C
Kabel :	10 m - 3 Leiter von 0,34 mm ²
Kontroll-LED :	Ausgangszustand 1 gelbe LED
ATEX-Kennzeichnung :	II 2 D_Ex tb IIIC T90°C Db
Zertifikat ATEX/IECEx :	INERIS 04ATEX0022 / INE 17.0006

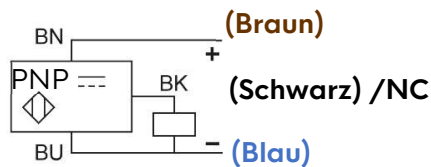
i Schaltbild : +BN, -BU, Last BK/BU



9.3. Standard-Positionssensor Ø18 außerhalb ATEX-Zone (DN≥400 - DN≥16") :

Versorgungsspannung :	Ue 12...24 V DC
Max. Stromaufnahme :	Ie 200 mA
Schutzart :	IP67
Digitalausgang :	NC
Digitalausgangstyp :	PNP
Umgebungstemperatur :	-25°C < Ta < +70°C
Kabel :	2 m - 3 Leiter von 0,14 mm ²
Kontroll-LED :	Ausgangszustand 1 gelbe LED

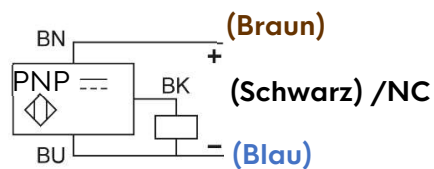
i Schaltbild : +BN, -BU, Last BK/BU



9.4. Optionaler Positionssensor Ø18 für ATEX-Zone - Ex II 2 D (DN≥400 - DN≥16") :

Versorgungsspannung :	Ue 12...48 V DC
Max. Stromaufnahme :	Ie 200 mA
Schutzart :	IP68
Digitalausgang :	NC
Digitalausgangstyp :	PNP
Umgebungstemperatur :	-20°C < Ta < +60°C
Kabel :	10 m - 3 Leiter von 0,34 mm ²
Kontroll-LED :	Ausgangszustand 1 gelbe LED
ATEX-Kennzeichnung :	II 2 D_Ex tb IIIC T90°C Db
Zertifikat ATEX/IECEx :	INERIS 04ATEX0022 / INE 17.0006

i Schaltbild : +BN, -BU, Last BK/BU



10. Sensor für Staubablagerungen

Die BADA-VEX-Rückschlagklappe kann optional mit einem kapazitiven Sensor und/oder einem Sichtfenster ausgerüstet werden, um bei horizontal oder vertikal installierter BADA-VEX ungewöhnliche Staubablagerungen im Abdichtbereich der Klappe feststellen zu können.

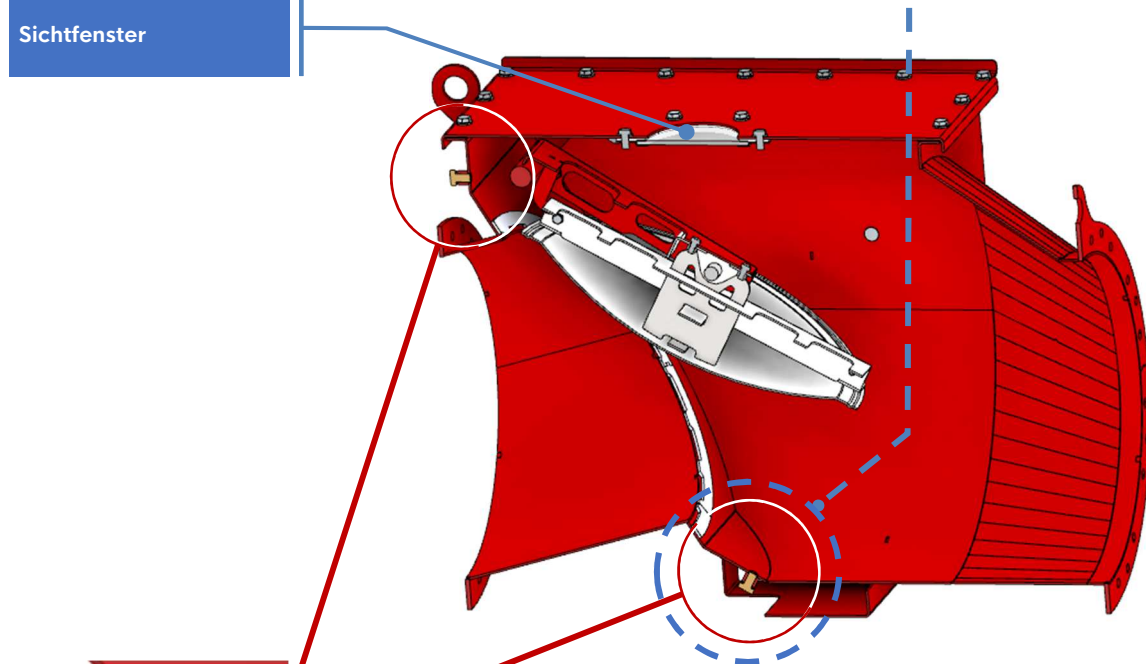
Mittels dieser optionalen Einrichtungen kann die Entstehung von Staubablagerungen überwacht werden, welche im Falle einer Explosion ein richtiges Schließen der Klappe verhindern könnten (Abbildungen 22 und 23).

In ihrer Standardversion ist die BADA-VEX mit zwei mit einem Drehmoment von 20 Nm angezogenen Messingstopfen (Pkt. R) versehen, welche die für den Anschluss des optionalen kapazitiven Sensors vorgesehenen Öffnungen verschließen (Abbildung 22).

Abbildung 22

Befestigung des kapazitiven Sensors auf HORIZONTAL installierter BADA-VEX

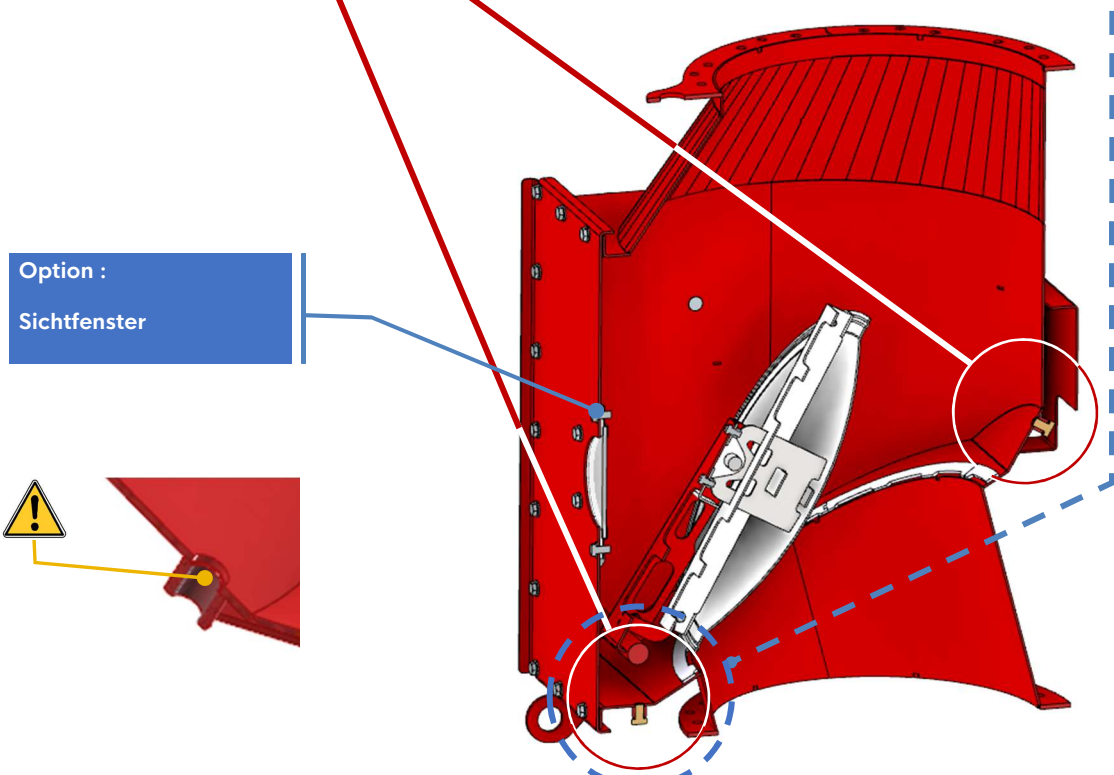
Option :
Sichtfenster



Befestigung des kapazitiven Sensors auf VERTIKAL installierter BADA-VEX

R

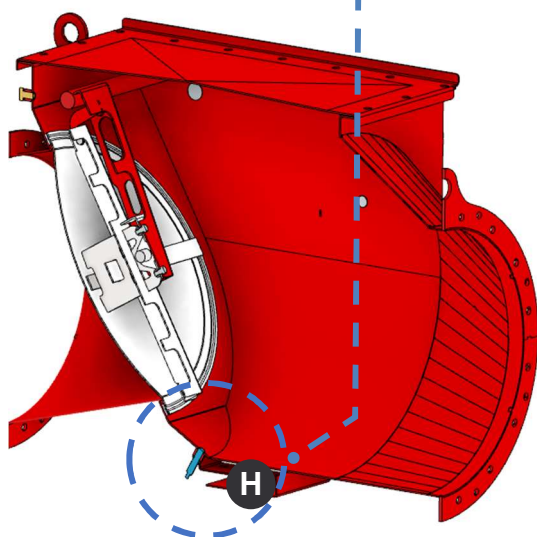
Option :
Sichtfenster



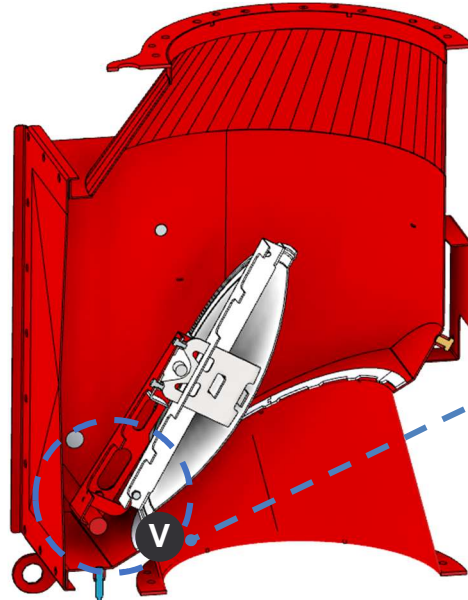
Die BADA-VEX-Rückschlagklappe auf keinen Fall ohne Stopfen (Pkt. R) oder kapazitiven Sensor $\varnothing 12$ verwenden. Die BADA-VEX auf keinen Fall mit beschädigtem Sichtfenster oder ohne dieses (falls damit ausgerüstet) verwenden.

Abbildung 23

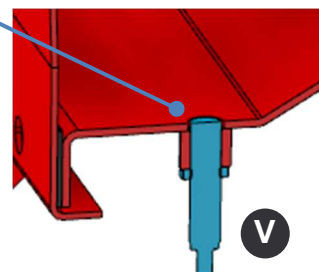
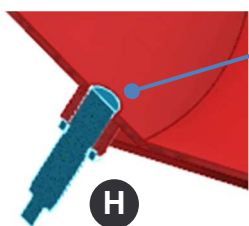
Kapazitiver Sensor auf BADA-VEX in HORIZONTALER Position



Kapazitiver Sensor auf BADA-VEX in VERTIKALER Position



Der kapazitive Sensor darf nicht ins Innere des Körpers eindringen

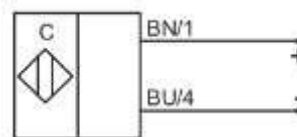


10.1. Kapazitiver Sensor Ø12 für ATEX-Zone - Ex II 1 D :

Ausgangsfunktion :	NAMUR DIN 60947-5-6
Versorgungsspannung :	UB 5 - 15 V DC, U _i = 15 V DC
Typ. Verbrauch ohne Nachweis :	≤ 1,5 mA
Typ. Verbrauch bei Nachweis :	≥ 2,5 mA
Schutzart :	IP67
Kontroll-LED :	Gelb
Umgebungstemperatur :	-20°C < T _a < +70°C
Kabel :	2 m - 2 Leiter von 0,14 mm ²
ATEX-Kennzeichnung :	II 1 D_Ex ia III C T101°C Da
Zertifikat ATEX/IECEx :	DMT 03 ATEX E 048 / BVS 07.0031





Schaltbild : +BN, -BU, Last BK/BU



Die NAMUR-Sensoren müssen mit Schaltverstärkern, die für diesen eigensicheren Betrieb gemäß EN 60079-11:2012 zugelassen sind, verwendet werden.

11. ATEX-Kennzeichnung

Die Kennzeichnung der BADA-VEX-Rückschlagklappe entspricht den Anforderungen der ATEX-Richtlinie 2014/34/EU.

 Die Kennzeichnung  II D auf dem Etikett teilt mit, dass es sich bei der BADA-VEX-Rückschlagklappe um ein Schutzsystem in einer durch Staubexplosion gefährdeten Atmosphäre handelt.

11.1. Zertifizierungseigenschaften :


- 0080 Nummer der benannten Überwachungsstelle INERIS
- INERIS 23ATEX0012X Nummer des von INERIS ausgestellten Zertifikats
- EN 16447: 2014 Europäische Norm - Rückschlagklappe zur explosionstechnischen ntkopplung
- EN 15089: 2009 Europäische Norm - Entkopplung Explosions-Entkopplungssysteme

11.2. Geltungsbereich der vorliegenden Normen zur Produktkennzeichnung :

- **EN 16447** zum Einbau der Schwimmerklappe oder offen gehalten durch das mechanische System, das gegen die Ausbreitung einer Explosion entgegen der Strömungsrichtung (verschmutzte Luft) schützt.
- **EN 15089** zum Einbau des von der Mechanik offen gehaltenen Klappventils zum Schutz vor Explosionsausbreitung in Strömungsrichtung (saubere Luft).

11.3. Kennzeichnungsbeispiel :



2)  II D	Schutzsystem für Gefährdung durch Staubexplosion
2) BADA-VEX Ø250	Anschluss-Durchmesser
3) Body material	Material des Körpers (zum Beispiel lackierter Stahl)
4) Kst max	Max. Druckanstiegsgeschwindigkeit (bar.m/s) der Explosion
5) Pmax	Max. Explosionsdruck des Staubs in geschlossenem Gefäß (bar)
6) Vessel Pred,max	Maximaler reduzierter Explosionsdruck der Behälter (bar)
7) Body pressure resistance	Druckfestigkeit des Körpers (bar)
8) Process temperature	Betriebstemperatur in °C
9) P/N	FORMULA AIR-Referenznummer des Artikels
10) S/N	Seriennummer des Geräts
11) Year	Herstellungsjahr
12) 20 N.m	Festziehdrehmoment der oberen Verschlussplatte

12. Luftstrom-Druckverluste

Der Druckabfall (ΔP) hängt davon ab, ob die BADA-VEX-Rückschlagklappe mit offengehaltener Klappe seitens staubhaltiger Luft (TAB-6), mit beweglicher Klappe seitens staubhaltiger Luft (TAB-7) oder seitens gefilterter Luft (TAB-8) verwendet wird.

Staubhaltiger Luft : (TAB-6) (TAB-7)

Der gesamte Luftstromgeschwindigkeitsbereich beträgt 15 m/s (3000 ft/min) bis 45 m/s (9000 ft/min).

Der empfohlene Luftstromgeschwindigkeitsbereich beträgt 20 m/s (4000 ft/min) bis 30 m/s (6000 ft/min).

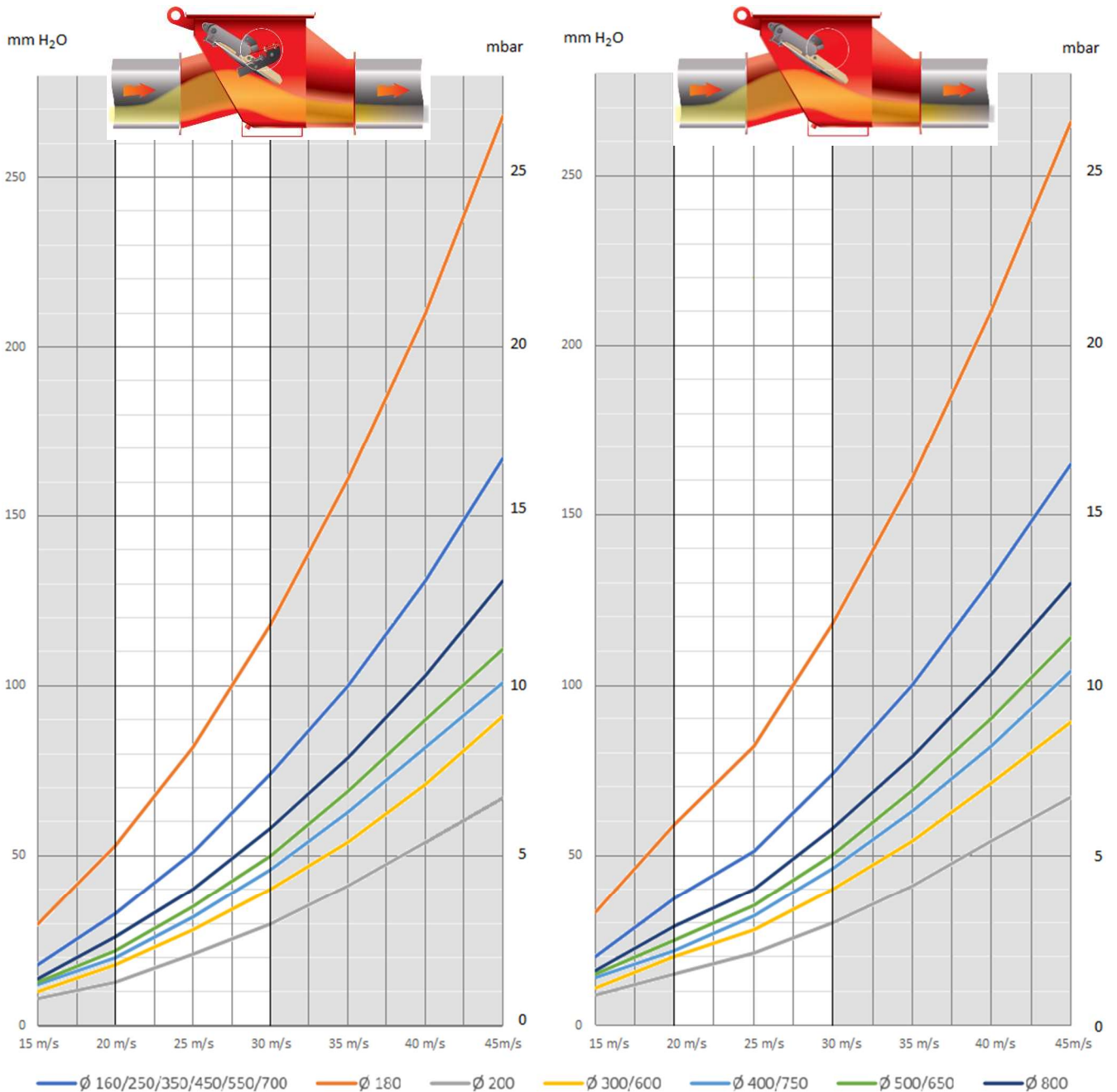
Gefilterter Luft : (TAB-8)

Die Werte sind verfügbar für den Luftstrombereich von 15 m/s (3000 ft/min) bis 30 m/s (6000 ft/min).

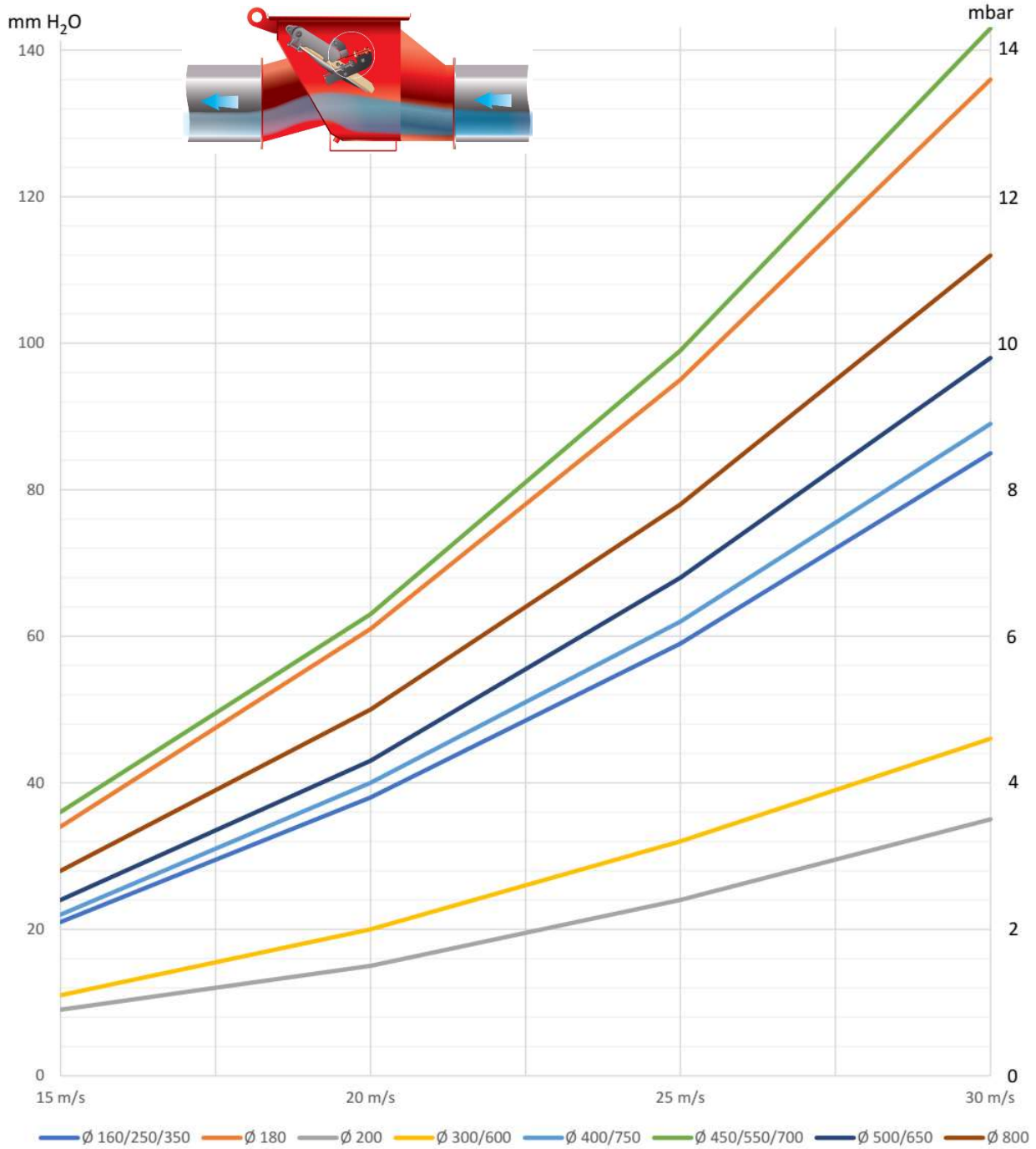
12.1. Druckabfall-Kennlinien :

Luft+Staub-Strom, offengehaltene Klappe (TAB-6) :

Luft+Staub-Strom, beweglicher Klappe (TAB-7) :



Sauberer gefilterter Luftstrom (TAB-8) :



12.2. Druckverlust (in mm H₂O) gemessen bei 20 m/s (TAB-9).

BADA-VEX DN	160 6"	180 7"	200 8"	250 10"	300 12"	350 14"	400 16"	450 18"	500 20"	550 22"	600 24"	650 26"	700 28"	750 30"	800 32"
Luft+Staub Offengehaltene Klappe	33	53	13	33	18	33	20	33	22	33	18	22	33	20	26
Luft+Staub Beweglicher Klappe	37	59	15	37	20	37	22	37	25	37	20	25	37	22	29
Gefilterte Luft Offengehaltene Klappe	38	61	15	38	20	38	40	63	43	63	20	43	63	40	50


13. Regelmäßige Kontrollen und Wartungsarbeiten

13.1. Durch Normen auferlegte Verpflichtungen :

Die Norm EN16447 und EN15089 verpflichtet zu einer Planung regelmäßiger spezieller Überprüfungen, um sicherzustellen, dass die BADA-VEX-Rückschlagklappe ihre Fähigkeit zur Entkopplung gegen Explosionen im Verlauf der Zeit bewahrt.

Bei solchen Kontrollen muss sichergestellt werden, dass die Leistung der BADA-VEX nicht durch vorhandene Korrosion, Abnutzung oder Staubansammlung im Abdichtbereich der Klappe beeinträchtigt wird.

Zur Vermeidung gefährlicher, die Funktionsweise der Vorrichtung bedrohender Situationen müssen die Überprüfungen mit ausreichender Häufigkeit erfolgen.

-  Wir empfehlen zur Festlegung der Prüfungsfrequenz zu Beginn des Einsatzes der BADA-VEX häufigere Kontrollen durchzuführen, um aus den hierbei gewonnenen Erkenntnissen das endgültige genaue Prüfungsintervall festlegen zu können. Der Zeitraum zwischen zwei Prüfungen darf 1 Jahr nicht überschreiten. Das Intervall ist auch dem Zustand der BADA-VEX-Rückschlagklappe anzupassen.

Nur ausgebildetes, für Wartungsmaßnahmen an ATEX-Ausrüstungen zugelassenes Personal darf die Überprüfungen der BADA-VEX-Rückschlagklappe vornehmen. Die Prüfungsergebnisse müssen in einem Verzeichnis eingetragen werden.



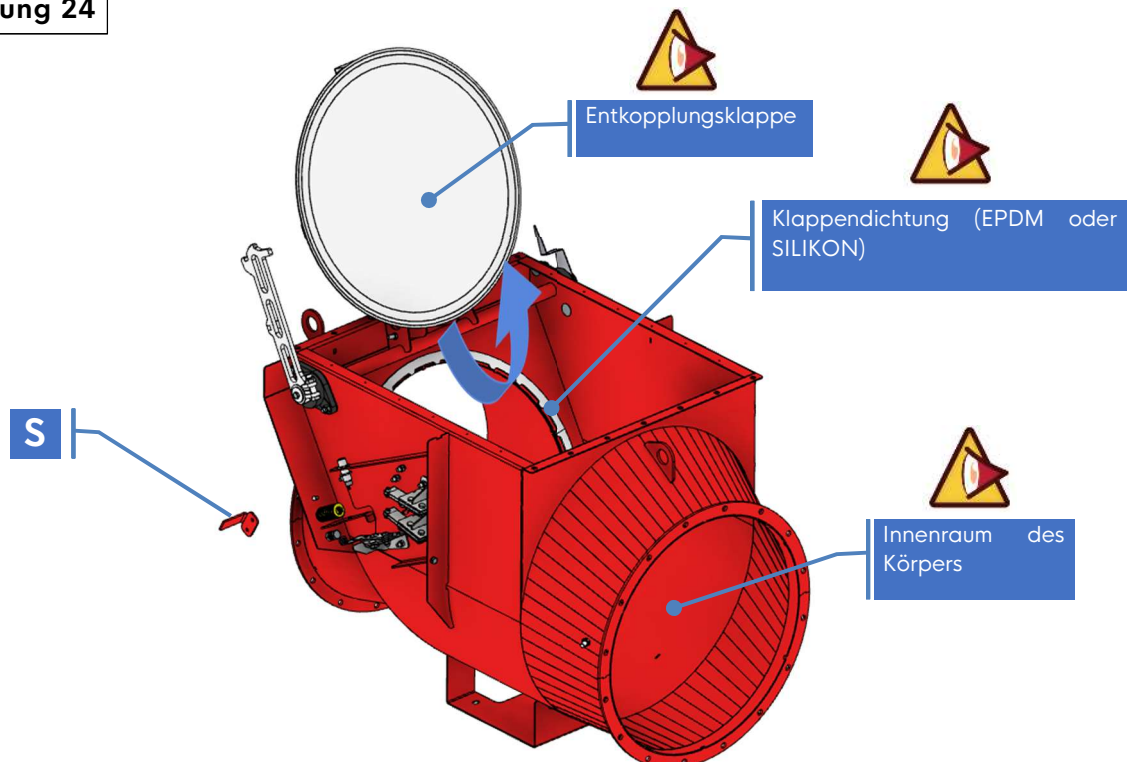
Vor Durchführung einer Überprüfung oder Wartung an einer BADA-VEX-Rückschlagklappe muss der diese umgebende Bereich gesichert werden, wozu der Luftstrom abgestellt werden muss und dafür zu sorgen ist, dass er nicht unbeabsichtigter Weise wieder eingeschaltet werden kann.

13.2. Regelmäßige Überprüfungen :

Zunächst die Schutzplatte und die obere Verschlussplatte abnehmen.

Dann den Anschlag des Klappenarms (Pkt. S) abbauen und die mobile Baugruppe aus der BADA-VEX nach außen klappen (Abbildung 24).

Abbildung 24



13.3. Zur Inspektion folgende Punkte überprüfen (TAB-10) :

Prüfung	Prüfungsbereich	Festgestellter Fehler	Wartungsmaßnahme
Staubschicht	Im Innern des Körpers	Staubschicht > 1 mm vorhanden	Stellen mit Staubablagerungen reinigen
Abrieb	Klappe	Starker Abrieb ♦	Klappe ersetzen*
	Im Innern des Körpers	Starker Abrieb ♦	BADA-VEX ersetzen*
Dichtheit	Klappendichtung	Schadhafte Dichtung	Dichtung durch gleichwertige Dichtung ersetzen*
	Dichtung der oberen Verschlussplatte		
Korrosion	BADA-VEX innen und außen	Starke Korrosionsspuren ♦	BADA-VEX ersetzen*
Stoß	BADA-VEX innen und außen	Starke Verformung des Körpers	BADA-VEX ersetzen*
	Klappe	Verformung der Klappe	Klappe ersetzen*
Funktionsweise	Mobiles Teil	Ungewöhnliche Behinderung der Drehung der Welle	BADA-VEX ersetzen*
Verriegelung	Verriegelungssystem	Fehlendes Verriegelungsblatt	Zur Wartung zurück in FORMULA AIR-Werk
		Beschädigtes Verriegelungsblatt	
Erdung	Befestigung der Erdungsbänder	Bruch der Potentialausgleichverbindung	Befestigungsenden der Erdungsbänder befestigen
Anschluss an Rohrleitung	Befestigungsschrauben (Anschlussflansche)	Unzureichend festgezogen	Alle Schrauben mit dem vorgeschriebenen Drehmoment festziehen, siehe TAB-3
Verriegelungssignal	Verriegelungssensor	Kein Schalten des Sensors bei Verriegeln der Klappe	Nachweisabstand auf 2 mm einstellen
			Sensor ersetzen (durch identisches Produkt) *
Untere Öffnung	Unter der Klappe	Kapazitiver Sensor (optional) oder Messingstopfen fehlen	Stopfen oder kapazitiven Sensor anbringen*

♦ Eine Abnutzung der ursprünglichen Dicke von über 15% ist als starke Abnutzung anzusehen und erfordert Austausch des fehlerhaften Elements.

* Fehlerhafte Komponenten ausschließlich durch Original-BADA-VEX-Teile ersetzen.



Bei jeglichen anderen Wartungsmaßnahmen muss bei den technischen Diensten von FORMULA AIR rückgefragt werden.

Nach einer Prüfung und/oder Wartung, muss die mobile Baugruppe in ihre Ausgangsposition zurückgebracht werden (beweglicher Klappe (Abbildung 7) oder offengehaltene Klappe (Abbildung 8)).

Der obere Anschlag (Pkt. S) muss unbedingt wieder in Stellung gebracht werden. Die obere Verschlussplatte (Pkt. P) und die Schutzplatte des Verriegelungsmechanismus müssen mit dem vorgeschriebenen Drehmoment (20 Nm) festgezogen werden.



Das System kann nicht verwendet werden, wenn der obere Anschlag (Pkt. S) nicht in Stellung ist.

13.4. Verfahren im Falle einer Explosion :

Nach einer Explosion kann die Mechanik der BADA-VEX-Rückschlagklappe durch den Explosionsdruck beschädigt worden sein (Schweißung gerissen, Abdichtfläche der Klappe verformt usw.), in welchem Fall die BADA-VEX ersetzt werden muss.

14. Zerlegung und Recycling

Wenn die Einheit zerlegt wird, müssen folgende wichtige Informationen berücksichtigt werden.

VORSICHT!

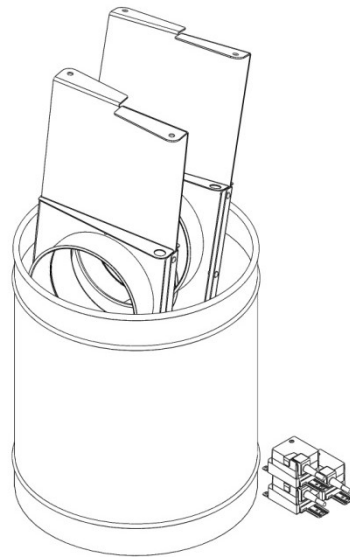
Versichern Sie vor dem Zerlegen, dass kein explosionsgefährdender Staub oder ähnliche Elemente in der Einheit bleiben.

Wenn die Einheit zerlegt wird, bewahren Sie alle funktionierenden Teile auf, um sie in einer anderen Einheit erneut nutzen zu können. Sie sollten die verschiedenen Bauteile stets nach Art trennen: Stahl, rostfreier Stahl, Gummi, Schaum usw.

Wiederverwertbare Teile müssen in den richtigen Containern gelagert oder einem lokalen Recyclingunternehmen zugestellt werden. Abfälle müssen in Sondercontainern mit den angemessenen Kennzeichnungen gesammelt und entsprechend der geltenden nationalen Gesetze und/oder lokalen Verordnungen entsorgt werden.

VORSICHT!

Es ist strengstens verboten, giftige Abfälle in öffentlichen Kanalisationen und Abwassersystemen zu entsorgen. Dies trifft auf alle Öle, Fette und anderen giftigen Stoffe in flüssiger oder fester Form zu.



15. Wartung

Datum	Beschreibung



Contacts

Formula Air The Netherlands

Head Office / Production / Sales

Bossheweg 36
5741 SX Beek en Donk,
The Netherlands
+31 492 45 15 45
info-nl@formula-air.com

Formula Air Belgium

Logistics / Sales

Rue des Dizeaux 4
1360 Perwez
Belgium
+32 81 23 45 71
info-be@formula-air.com

Formula Air Baltic

Production / Sales

P. Motiekaičio g. 3
LT-77104 Šiauliai
Lithuania
+370 41 54 04 82
info-lt@formula-air.com

Formula Air France – West

Sales

6, avenue des Lions
44800 Saint-Herblain
France
+33 9 72 15 29 38
contact-ouest@formula-air.com

Formula Air France – North

Sales

Zac de la Carrière Dorée
BP 105, 59310 Orchies
France
+33 9 72 15 29 38
contact-fr@formula-air.com

Formula Air France – East

Sales

2 Rue Porcherie
38460 Cremieu
France
+33 9 72 15 29 38
contact-est@formula-air.com

Formula Air France – South

Sales

Chemin de Peyrecave
09600 Regat
France
+33 9 72 15 29 38
contact-sud@formula-air.com

Formula Air Germany

Sales

Dr.-Oetker Straße 10
54516 Wittlich
Germany
+49 6571 269860
info-de@formula-air.com

Formula Air Vietnam

Production / Sales

#33, Lot 2, Den Lu 1
Hoang Mai District, Hanoi
Vietnam
+84 (24) 38 62 68 01
info@vinaduct.com

Formula Air Nordic

Sales

Stortorget 17
211 22 Malmö
Sweden
+46 40 654 06 10
info-scan@formula-air.com

Formula Air Export

Sales

Rue des Dizeaux 4
1360 Perwez
Belgium
+32 81 23 45 71
info-be@formula-air.com