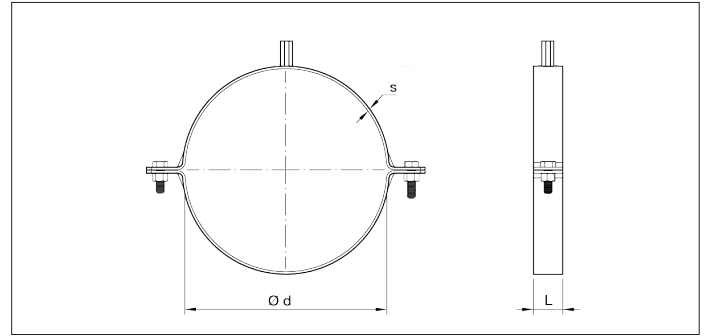


Mounting brackets with M8/M10 insert GAEE



Mounting brackets with M8/M10 insert GAEE without seal

Galvanized mounting brackets for the suspension of ducting on an existing structure.

Can be mounted on a threaded rod (GAZF) by means of the integrated M8/M10 bolt.

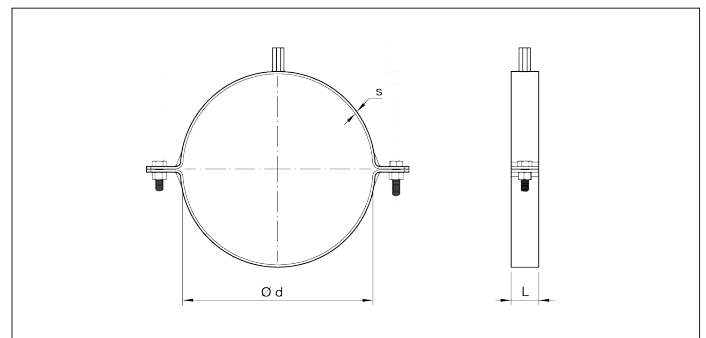
Material

Galvanized steel

Options

- Other diameters
- With seal insert (QCØAMR)

Ø	Code group without seal	L mm	s mm	Weight kg
38	GAEE	20	2	0.04
50	GAEE	20	2	0.05
63	GAEE	20	2	0.07
76	GAEE	20	2	0.09
102	GAEE	20	2	0.13
127	GAEE	20	2	0.16
152	GAEE	20	2	0.17
203	GAEE	20	2	0.20



Mounting brackets with M8/M10 insert GAEE with seal

Galvanized mounting brackets with integrated rubber seal for the suspension of ducting on an existing structure.

Can be mounted on a threaded rod (GAZF) by means of the integrated M8/M10 bolt.

Material

Galvanized steel

Options

- Other diameters

Ø	Code with seal	L mm	s mm	Weight kg
38	GAEE000001	20	2	0.05
50	GAEE000002	20	2	0.06
63	GAEE000003	20	2	0.08
76	GAEE000004	20	2	0.10
89	GAEE000005	20	2	0.13
102	GAEE000006	20	2	0.15
114	GAEE000007	20	2	0.16
127	GAEE000008	20	2	0.17
152	GAEE000009	20	2	0.19
203	GAEE000010	20	2	0.22