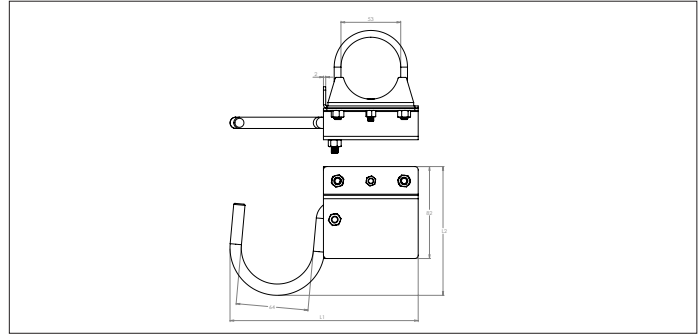
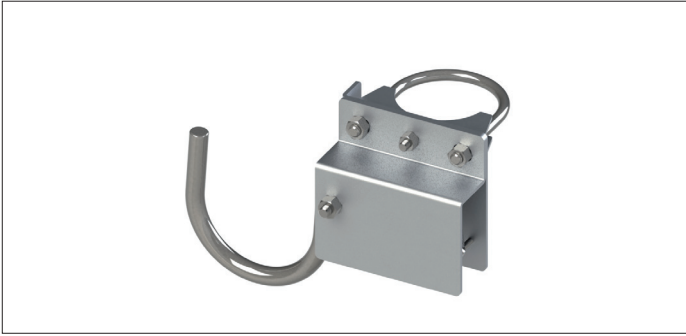


CZZA Start-up hook



CZZA Start-up hook

Hook designed to start the installation when the flexible hose is taken off of the hook. Can support a flexible hose of Ø38 or Ø63.

The installation is electrically connected to a microswitch incorporated in the hook structure.

Material

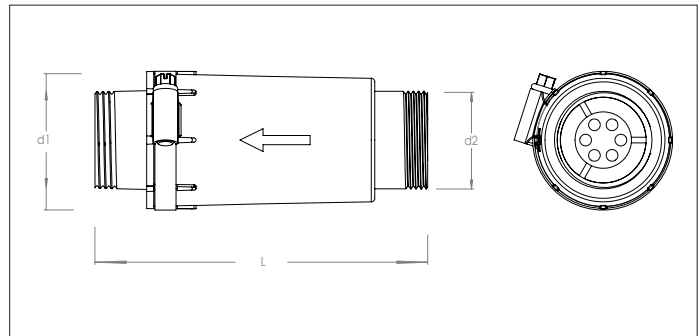
galvanized.

Type

Equipped with IP67 microswitch and U-bolt to mount on pipe Ø50.

Type	Code	L1 mm	L2 mm	Weight kg
50	CZZA9000001	167	114	0.60

CZDB Safety valves



CZDB Safety valves

The primary function of a safety valve is to protect property and life. Because a safety valve is often the last device to prevent catastrophic failure under pressure conditions.

The safety valves in this range have a predefined taring.

Material

Plastic body and steel components.

Type

Designed to work in over- or under-pressure.

Type mBar	Code	d1 Ø mm	d2 Ø mm	L mm	Weight kg
200	CZDB000001	60	40	140.5	0.25
270	CZDB000002	60	40	140.5	0.25
310	CZDB000004	60	40	140.5	0.25
410	CZDB000006	60	40	140.5	0.25