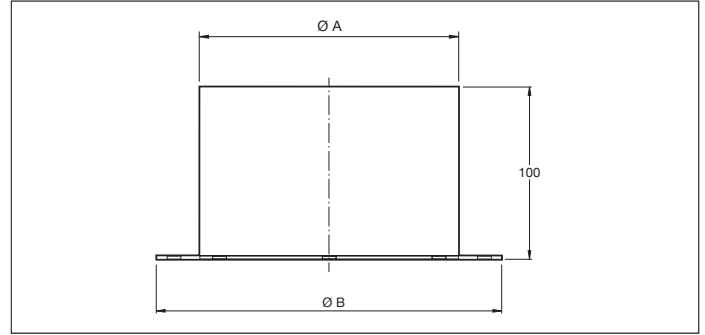


## BDGD Roof passages



### BDGD Roof passages

Fully welded roof passage with a sheet thickness of 2.00 mm.

Mounted on a roof on the outside in combination with a storm collar to ensure the water-tightness of the roof.

### Material

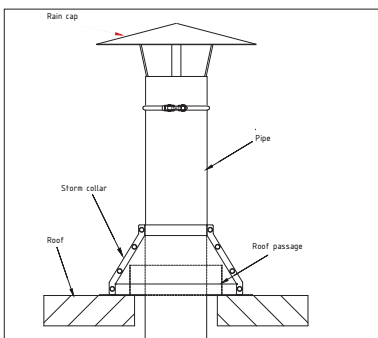
2.00 mm hot-dipped galvanized sheet metal.  
Temperature resistance up to +80°C.  
Galvanization according to DIN 1461 with a thickness of 65 µm.

### Type

Rolled and welded sheets.

### Options

- FDA and EU compliant food-grade quality
- stainless steel execution
- equipotential equalization



Proper installation of a roof passage

Ø d mm	Code	A mm	B mm	s mm	Weight kg
100 - 120	BDGD000001	151	405	2.00	2.53
140 - 150	BDGD000002	251	505	2.00	3.67
160 - 200	BDGD000003	301	505	2.00	3.58
224 - 250	BDGD000004	351	805	2.00	8.36
280 - 350	BDGD000005	451	805	2.00	7.85
400 - 500	BDGD000006	561	1005	2.00	11.56
550 - 560	BDGD000007	686	1005	2.00	10.23
600 - 630	BDGD000008	746	1205	2.00	15.00