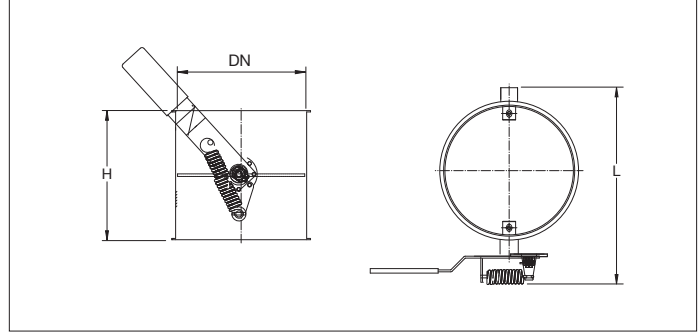


BADJ Manual throttle valves without seal - with spring-return



BADJ Manual throttle valves without seal - with spring-return

Full welded manual throttle valves to open or close a ducting line in an installation (no possibility to regulate).

The throttle valve blade stays in the desired position by the spring.

Material

2.00 mm black steel 1.0330 powder coated in RAL 7032.
Electrostatically conductive and food-safe powder coating thickness of 30 to 60 µm.
Temperature resistance up to +80°C.

Type

Rolled sheets with 6 mm edges for lock rings.

Options

- FDA and EU compliant food-grade quality
- Electro-galvanized or stainless steel execution
- wear resistant lining as of Ø150 (83° Shore)
- equipotential equalization
- other colors
- other diameters
- other sheet thicknesses depending on diameter
- other types of edges or connections



Detail of spring

Ø d mm	Code	L mm	H mm	s mm	Weight kg
100	BADJ000060	210	100	2.00	1.23
120	BADJ000061	230	120	2.00	1.50
140	BADJ000062	245	140	2.00	1.83
150	BADJ000063	260	150	2.00	2.01
160	BADJ000064	270	160	2.00	2.21
175	BADJ000065	285	175	2.00	2.52
200	BADJ000066	310	200	2.00	3.11
224	BADJ000067	330	224	2.00	3.75
250	BADJ000068	360	250	2.00	4.53
280	BADJ000069	390	280	2.00	5.53
300	BADJ000070	410	300	2.00	6.25