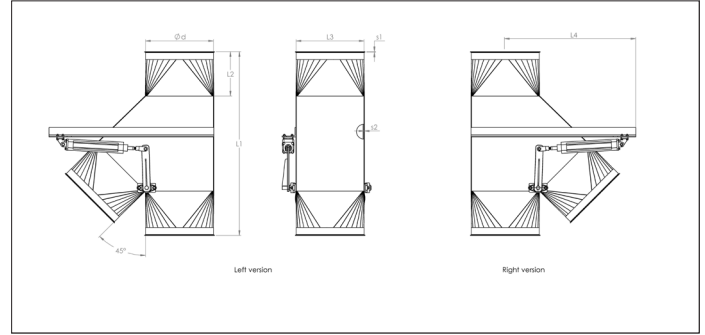
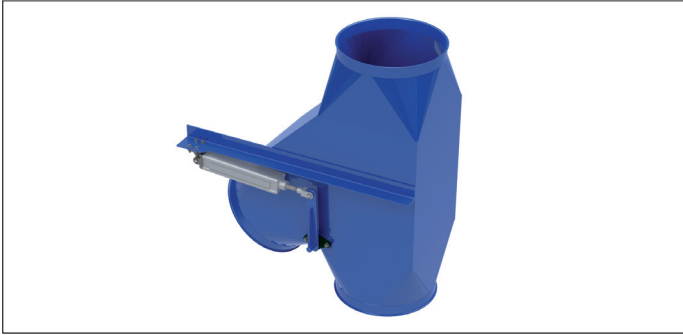


BAHD Pneumatic asymmetrical diverters 45°



BAHD Pneumatic asymmetrical diverters 45°
Full welded pneumatic asymmetrical diverter for bulk transport to silos, containers and such.

The change in direction of the material is operated by a pneumatic linear cylinder controlled by 5/2 monostable solenoid valve which activates the lever from left to right. The inner plate axle is mounted on two ball bearings for smooth running.

These diverters are designed to be used for falling material and light pneumatic transport (for example wood chips, polystyrene, non-fibrous material, etc.) in vertical ducting.

Material
2.00 mm powder coated black steel in RAL 5010.
Electrostatically conductive and food-safe powder coating thickness of 30 to 60 µm.
Temperature resistance up to +80°C.
Pneumatic cylinder working temperature range -5°C to +70°C.

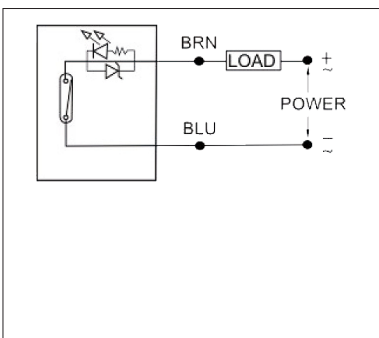
Type
Welded and folded plates with 6 mm edges for lock rings.
Extra side reinforcements from Ø 500 mm and up.

- Options**
- with seal
 - hot-dipped galvanized or stainless steel execution
 - equipotential equalization
 - other colors
 - other sheet thicknesses, depending on material and diameter
 - other types of edges or connections
 - position indicators (5/250 V AC- DC - IP 67)
 - other types of solenoid valves (bistable, manual, ATEX)
 - other types of cylinders (high temperature, ATEX)

❗ Max. air pressure in solenoid valve : 8 Bar.

❗ Please state the voltage when ordering:
24 V AC, 24 V DC, 220 V AC.

❗ Please specify LEFT or RIGHT orientation when ordering



Wiring diagram of solenoid valve

Ø d mm	Code LEFT execution	L1 mm	L2 mm	L3 mm	L4 mm	s1 mm	s2 mm	Weight kg
100	BAHD000153	390	108	250	555	2.00	3.00	6.50
120	BAHD000154	390	108	250	555	2.00	3.00	7.10
125	BAHD000155	390	108	250	555	2.00	3.00	7.20
140	BAHD000156	505	150	299	650	2.00	3.00	8.10
150	BAHD000157	505	150	299	650	2.00	3.00	9.00
160	BAHD000158	505	150	299	650	2.00	3.00	9.10
180	BAHD000159	570	150	343	780	2.00	3.00	12.80
200	BAHD000160	570	150	343	780	2.00	3.00	13.50
225	BAHD000121	850	250	393	875	2.00	3.00	16.30
250	BAHD000122	850	250	393	875	2.00	3.00	19.20
275	BAHD000123	930	250	450	902	2.00	3.00	21.70
300	BAHD000125	930	250	450	902	2.00	3.00	24.20
315	BAHD000126	1000	250	495	945	2.00	3.00	26.50
350	BAHD000127	1175	250	495	945	2.00	3.00	28.80
400	BAHD000128	1235	300	545	965	2.00	3.00	42.40
450	BAHD000129	1235	300	592	975	2.00	3.00	46.80
500	BAHD000130	1475	350	655	1045	2.00	3.00	59.60
550	BAHD000131	1695	350	695	1115	2.00	3.00	74.50
600	BAHD000132	1695	400	810	1225	2.00	3.00	89.70