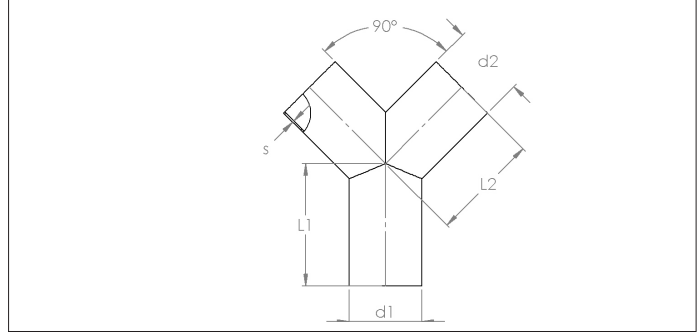
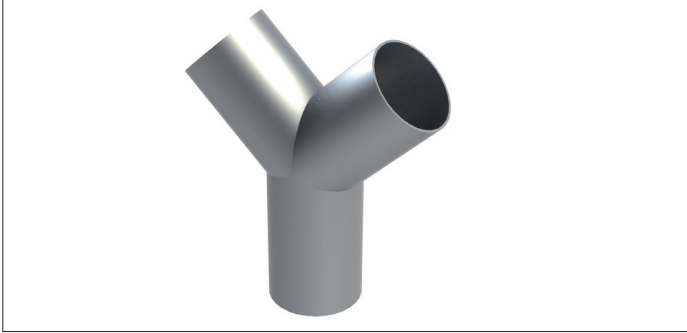


CACC 45° Trousers



CACC 45° Trousers

Fully welded trousers at 45° with a thickness of 1.5 to 2 mm and completely airtight.

They are attached to the pipe by means of pipe connectors.

Material

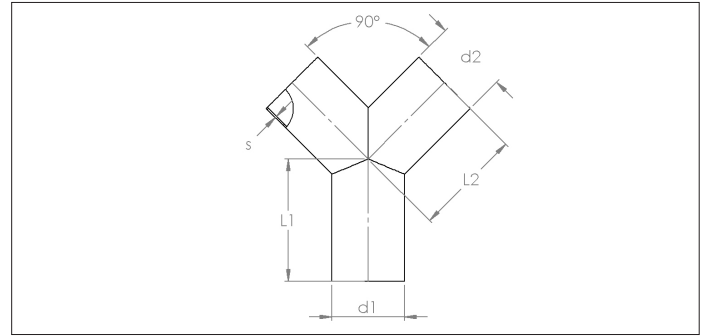
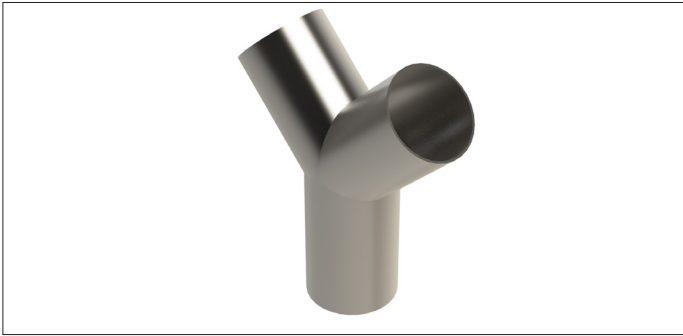
Electro-galvanized blacksteel (10µm).

Type

With straight edges for a good connection with pipe connectors.

Type	Code	Ø d1/d2 mm	L1 mm	L2 mm	S mm	Weight kg
50-50	CACC000001	50	165	130	1.5	1.00
63-63	CACC000002	63	165	130	1.5	1.10
76-76	CACC000003	76	165	135	1.5	1.20
89-89	CACC000004	89	180	150	1.5	1.30
102-102	CACC000005	102	160	150	2.0	1.80
114-114	CACC000006	114	220	220	1.5	2.40
127-127	CACC000007	127	230	210	1.5	2.60
152-152	CACC000008	152	230	225	2.0	3.80
203-203	CACC000009	203	240	250	2.0	4.20

CBCC 45° trousers



CBCC 45° trousers

Fully welded trousers at 45° with a thickness of 1.5 to 2 mm and completely airtight.

They are attached to the pipe by means of a pipe connector.

Material

Stainless steel AISI 304 (1.4301).

Type

With straight edges for a good connection with pipe connectors.

Type	Code	Ø d1/d2 mm	L1 mm	L2 mm	S mm	Weight kg
50-50	CBCC000001	50.8	160	140	1.5	0.80
63-63	CBCC000002	63.5	160	140	1.5	1.00
76-76	CBCC000003	76.1	160	140	1.5	1.20
102-102	CBCC000004	101.6	160	160	2.0	2.00