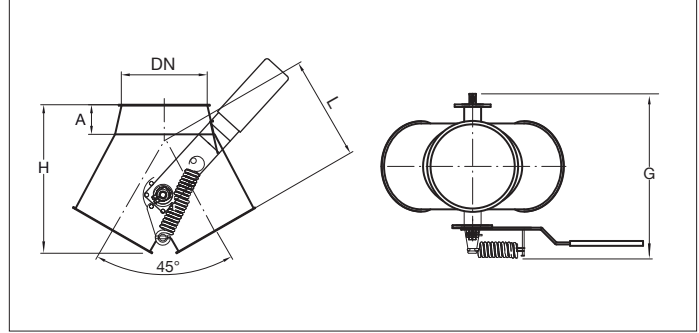


BAHE Manual trouser diverters 45° with seal



BAHE Manual trouser diverters 45° with seal

Full welded round manual trouser diverter with interior collar and silicone seal for bulk transport to silos, containers and such.

The change in direction of the material is operated by moving the hand lever from left to right. It is held in position by the spring. The inner plate is mounted on two ball bearings for smooth running.

These diverters are designed to be used for falling material and light pneumatic transport (for example wood chips, polystyrene, etc.) in vertical ducting.

Material

2.00 mm powder coated black steel in RAL 7032.
Electrostatically conductive and food-safe powder coating thickness of 30 to 60 µm.
Temperature resistance up to +80°C.
Silicone seal.

Type

Rolled and welded plates with 6 mm edges for lock rings.

Options

- FDA and EU compliant food-grade quality
- with other seal material
- hot-dipped galvanized or stainless steel execution
- equipotential equalization
- other colors
- 3 mm sheet thicknesses, depending on material and diameter
- other types of edges or connections

Diverter with seal

Ø d mm	Code	A mm	G mm	H mm	L mm	Thickness mm	Weight kg
100	BAHE000032	35	292	228	185	2.00	6.00
120	BAHE000033	40	312	276	228	2.00	8.00
150	BAHE000034	50	344	330	269	2.00	12.00
175	BAHE000035	50	380	373	310	2.00	18.00
200	BAHE000036	50	394	415	350	2.00	21.00
250	BAHE000037	70	415	507	418	2.00	30.00
300	BAHE000038	80	494	599	497	2.00	40.00
350	BAHE000039	100	515	671	547	2.00	55.00
400	BAHE000040	120	565	815	667	2.00	71.00