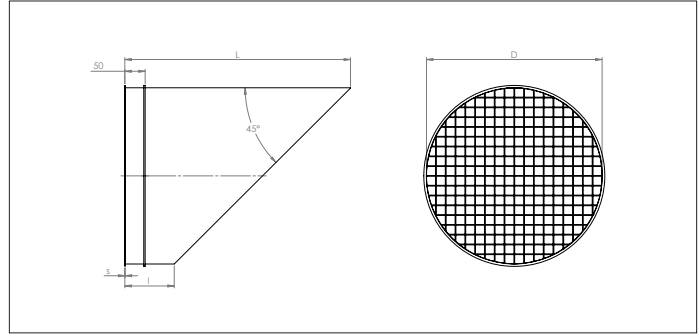
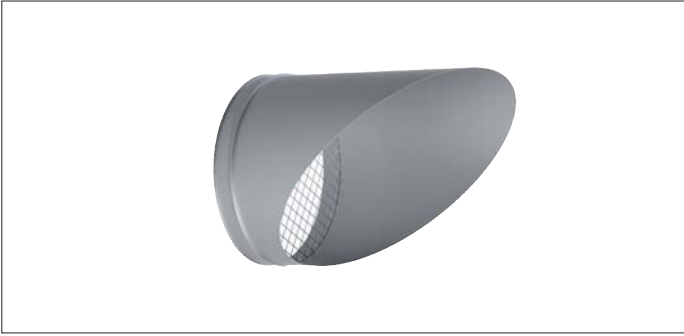


AAGE Wall outlets 45° with bird screen



AAGE Wall outlets 45° with bird screen

Wall outlets are standard welded with a stitch-welder and integrated bird screen.

Designed for horizontal mounting. Other mounting orientations are possible with bends.

Material

Sendzimir galvanized DX51 DZ 275 MAC.
Grill of 1,5 mm mesh with 24 x 24 mm spacing.

Type

Rolled sheets stitch-welded, with a 6 mm edge for lock rings.

Options

- other diameters
- other sheet thicknesses depending on diameter and length
- other types of edges or connections

Ø	Code	L1 mm	L2 mm	s mm	Weight kg
100	AAGE000001	240	145	0.88	0.50
120	AAGE000002	260	145	0.88	0.60
125	AAGE000028	260	145	0.88	0.65
140	AAGE000003	280	145	0.88	0.75
150	AAGE000004	290	145	0.88	0.80
160	AAGE000005	300	145	0.88	0.85
180	AAGE000006	320	145	0.88	1.00
200	AAGE000007	340	145	0.88	1.15
225	AAGE000008	370	145	0.88	1.30
250	AAGE000009	375	125	0.88	1.65
275	AAGE000010	400	125	0.88	1.75
280	AAGE000029	405	125	0.88	1.86
300	AAGE000011	425	125	0.88	1.95
315	AAGE000012	440	125	0.88	2.15
350	AAGE000013	475	125	0.88	2.50
400	AAGE000014	525	125	0.88	3.10
450	AAGE000015	575	125	0.88	3.50
500	AAGE000016	625	125	0.88	4.40
550	AAGE000017	675	125	0.88	5.30
600	AAGE000018	725	125	0.88	6.15
630	AAGE000019	755	125	0.88	6.78
650	AAGE000020	775	125	0.88	4.93
700	AAGE000030	825	125	0.88	9.97
750	AAGE000031	875	125	0.88	11.09
800	AAGE000032	925	125	0.88	12.27
850	AAGE000033	975	125	0.88	13.49
900	AAGE000034	1025	125	0.88	14.78
950	AAGE000035	1075	125	0.88	16.11
1000	AAGE000036	1125	125	0.88	17.51