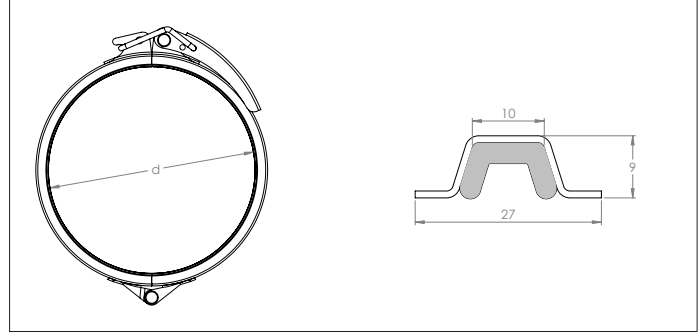


Rapid lock rings with PVC insert GAAC



Rapid lock ring with PVC insert GAAC

Rings with integrated PVC insert with handle and hinge.

From Ø 80 up to Ø 400 mm with integrated hinge and handle.
From Ø 450 mm, it is supplied without hinge and with an M8x80 bolt.

❗ For assembly of ducting from 0.75 mm up to 1.25 mm.

❗ Maximum tightening torque as of Ø450 : 10 Nm.

Material

Galvanized steel with PVC insert

Options

- Silicone insert for high temperature (up to 200 °C)
- Other diameters
- Stainless steel AISI 304 (GBAB)



| Ø | Code | Ød mm | Weight kg |
|-----|------------|----------|--------------|
| 80 | GAAC000001 | 81.5 | 0.18 |
| 100 | GAAC000002 | 101.5 | 0.21 |
| 120 | GAAC000003 | 121.5 | 0.23 |
| 125 | GAAC000021 | 126.5 | 0.24 |
| 140 | GAAC000004 | 141.5 | 0.26 |
| 150 | GAAC000005 | 151.5 | 0.27 |
| 160 | GAAC000006 | 161.5 | 0.27 |
| 180 | GAAC000007 | 181.5 | 0.30 |
| 200 | GAAC000008 | 201.5 | 0.32 |
| 225 | GAAC000009 | 226.5 | 0.35 |
| 250 | GAAC000010 | 251.5 | 0.38 |
| 275 | GAAC000011 | 276.5 | 0.41 |
| 300 | GAAC000012 | 301.5 | 0.44 |
| 315 | GAAC000013 | 316.5 | 0.46 |
| 350 | GAAC000014 | 351.5 | 0.50 |
| 400 | GAAC000015 | 401.5 | 0.56 |
| 450 | GAAC000016 | 451.5 | 0.55 |
| 500 | GAAC000017 | 501.5 | 0.61 |
| 550 | GAAC000018 | 551.5 | 0.67 |
| 600 | GAAC000019 | 601.5 | 0.72 |
| 630 | GAAC000020 | 631.5 | 0.76 |