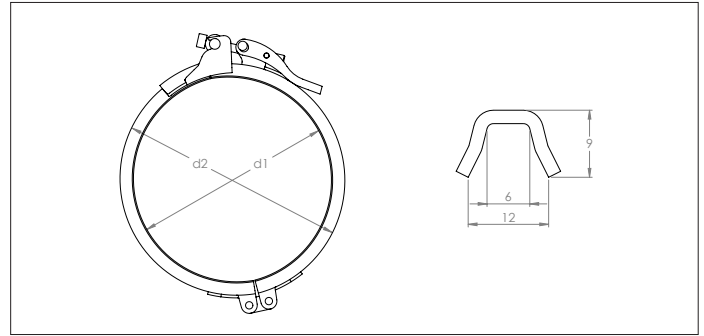


Rapid lock rings without seal GAAE



Rapid lock rings without seal GAAE

Rings without seal for use with seals. The seals are sold separately depending on the sheet thickness used. For unpressurized, over-pressure or under-pressure systems.

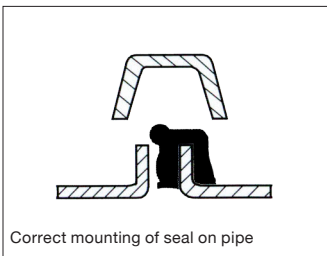
- ❗ For assembly of ducting from 0.75 mm up to 3 mm. Specify ducting thickness when ordering the seals. (see seals GZFA, GZFB & GZFC)

Material

Galvanized steel

Options

- Other diameters
- Stainless steel AISI 304 (GBAE)



Ø	Code	Ød mm	S mm	Weight kg
80	GAAE000001	85	1.75	0.26
100	GAAE000002	105	1.75	0.29
120	GAAE000003	125	1.75	0.35
125	GAAE000023	130	1.75	0.35
140	GAAE000004	145	1.75	0.37
150	GAAE000005	155	1.75	0.39
160	GAAE000006	165	1.75	0.40
180	GAAE000008	185	1.75	0.42
200	GAAE000009	205	1.75	0.46
224	GAAE000010	229	1.75	0.51
250	GAAE000011	255	1.75	0.52
280	GAAE000012	285	1.75	0.53
300	GAAE000013	305	1.75	0.58
315	GAAE000014	320	1.75	0.61
350	GAAE000015	355	1.75	0.65
400	GAAE000016	405	1.75	0.71
450	GAAE000017	455	1.75	0.77
500	GAAE000018	505	1.75	0.83
550	GAAE000019	555	1.75	0.89
560	GAAE000020	565	1.75	0.91
600	GAAE000021	605	1.75	0.95
630	GAAE000022	635	1.75	0.99