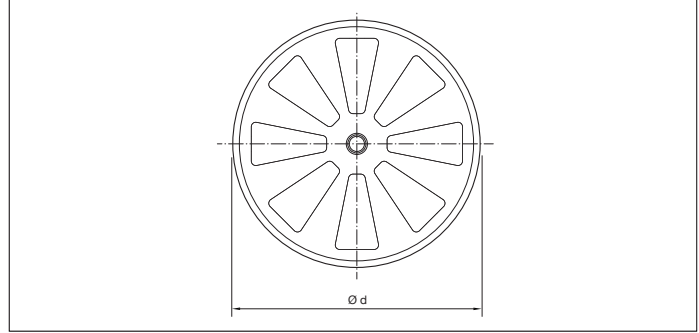


BDZC Adjustable blanking plates



BDZC Adjustable blanking plates

Adjustable blanking plate to place at the end of a line or a side branch designed to regulate the airflow within an installation to ensure optimal functioning.

Small star knob lock the pivoting outer plate in the desired position.

Material

2.00 mm stainless steel AISI 304, chronital blasted.

Type

Cut sheets with 6 mm edges for lock rings.

Options

- FDA and EU compliant food-grade quality
- equipotential equalization
- other diameters

Ø d mm	Code	Ø d mm	s mm	Weight kg
100	BDZC000002	115	2.00	0.36
120	BDZC000003	135	2.00	0.40
140	BDZC000004	151	2.00	0.46
150	BDZC000005	165	2.00	0.50
160	BDZC000006	175	2.00	0.58
175	BDZC000007	190	2.00	0.60
200	BDZC000008	215	2.00	0.75
224	BDZC000009	235	2.00	0.80
250	BDZC000010	265	2.00	0.85
280	BDZC000011	294	2.00	0.91
300	BDZC000012	315	2.00	1.00