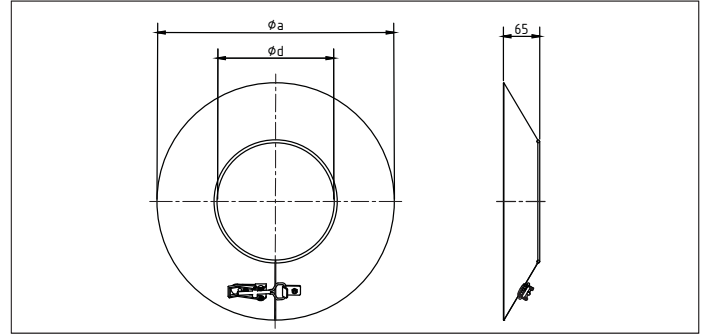


BAZD Wall passages



BAZD Wall passages

Fully welded wall outlets with a sheet thickness of 1.00 mm.

Mounted on a pipe coming out of a wall on the outside of a wall to hide the hole, only for horizontal mounting.

Made in one piece with integrated lock and rubber seal on pipe side.

Material

1.00 mm powder coated black steel in RAL 7032.

Electrostatically conductive and food-safe powder coating thickness of 30 to 60 μm .

Temperature resistance up to +80°C.

Type

Rolled sheets with integrated lock.

Options

- FDA and EU compliant food-grade quality
- stainless steel execution
- equipotential equalization
- other colors
- other sheet thicknesses, depending on diameter
- other types of edges or connections

| $\varnothing d$ mm | Code | $\varnothing d$ mm | $\varnothing a$ mm | s mm | Weight kg |
|-----------------------|------------|-----------------------|-----------------------|---------|--------------|
| 100 | BAZD000002 | 95 | 305 | 1.00 | 0.50 |
| 120 | BAZD000003 | 115 | 325 | 1.00 | 0.55 |
| 140 | BAZD000004 | 135 | 345 | 1.00 | 0.60 |
| 150 | BAZD000005 | 145 | 355 | 1.00 | 0.63 |
| 160 | BAZD000006 | 155 | 365 | 1.00 | 0.65 |
| 175 | BAZD000007 | 170 | 380 | 1.00 | 0.69 |
| 200 | BAZD000008 | 195 | 405 | 1.00 | 0.75 |
| 224 | BAZD000009 | 215 | 425 | 1.00 | 0.81 |
| 250 | BAZD000010 | 245 | 455 | 1.00 | 0.88 |
| 280 | BAZD000011 | 275 | 485 | 1.00 | 0.96 |
| 300 | BAZD000012 | 295 | 505 | 1.00 | 1.01 |
| 315 | BAZD000013 | 310 | 520 | 1.00 | 1.04 |
| 350 | BAZD000014 | 345 | 555 | 1.00 | 1.13 |
| 400 | BAZD000015 | 395 | 605 | 1.00 | 1.26 |
| 450 | BAZD000016 | 445 | 655 | 1.00 | 1.38 |
| 500 | BAZD000017 | 495 | 705 | 1.00 | 1.51 |
| 550 | BAZD000018 | 545 | 755 | 1.00 | 1.63 |
| 560 | BAZD000019 | 555 | 765 | 1.00 | 1.66 |
| 600 | BAZD000020 | 595 | 805 | 1.00 | 1.76 |
| 630 | BAZD000021 | 625 | 835 | 1.00 | 1.83 |

FA_T01_IDPAINTED_NS/V4_2_2022_EN